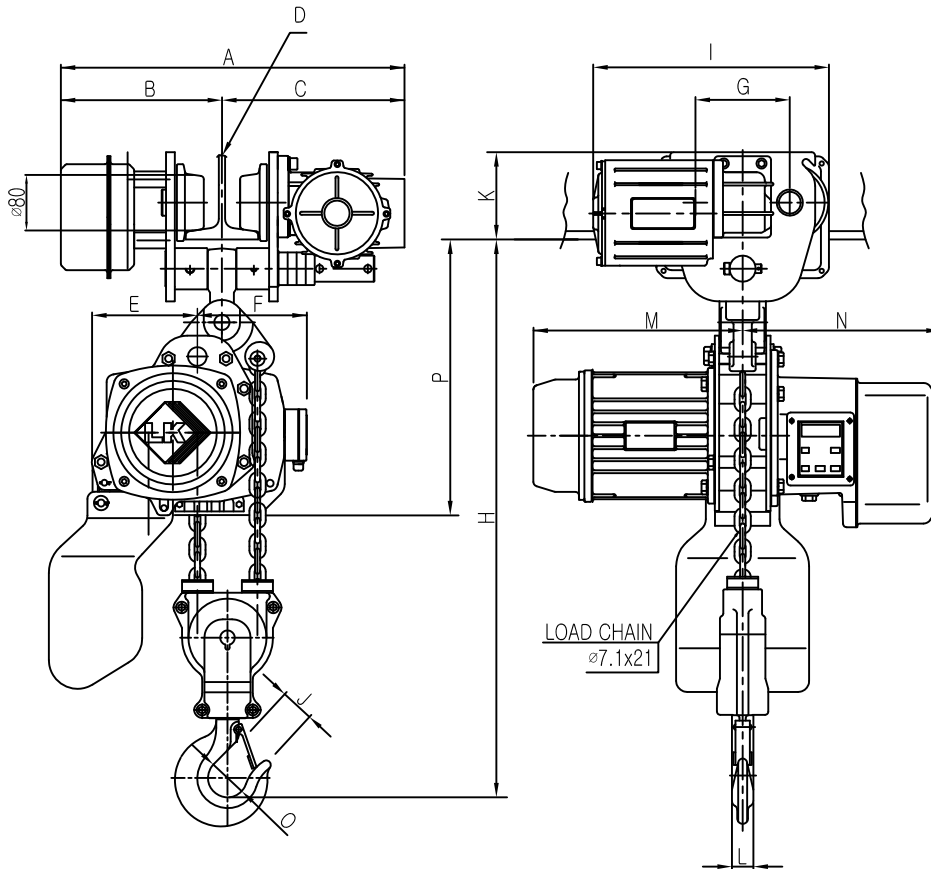


# L K HOIST

ON GMD

NO	DESCRIPTION	SIZE	MAT'L	Q'TY	WT (kg)	REMARKS



제조일 : 0000-00-00  
 형식번호 : 00-000-00  
 정격하중 : 00-000-00  
 제조자 : (주)LK

## SPECIFICATION

		LTDM-2W		
RATED LOAD	(TON)	2.0		
TESTING LOAD	(TON)	2.5		
LIFTING HEIGHT	(M)	50		
HOISTING	SPEED (M/MIN)	4.1/1.0		
	MOTOR (KW)	2.0/0.5kw x 2/8p		
TRAVERSING	SPEED (M/MIN)	18.8	9.23	18.8/4.6
	MOTOR (KW)	0.3kw x 2p	0.2kw x 4p	0.3/0.15kw x 2/8p
POWER SUPPLY	AC220.380.440.460.480Vx3ø x 60 Hz			
OPERATING METHOD	P.B type ON . FL			
LOAD CHAIN	ø7.1 X 21 (2FALL)			
WEIGHT	(KG)	210		
I-BEAM 적용폭	100 ~ 175MM			

### NOTE)

- 1)점검 설비를 갖출 것
- 2)인허가 서류를 완성검사시 제출 할 것

### DIMENSIONS

MODEL	A	B	C	D	E	F	G	H	I	J	K	L	M	N	O	P
LTDM-2W	479	222.5	256.5	100~175	181	155	130	640±21	370	40	110	30	294	273	53.5	409

- 적용 I-BEAM)
- 1) I- 200 X100 X7/10 - 3.0M
  - 2) I- 250 X125 X7.5/12.5 - 5.0M
  - 3) I- 300 X150 X10/18.5 - 7.5M
  - 4) I- 450 X175 X13/26 - 12M

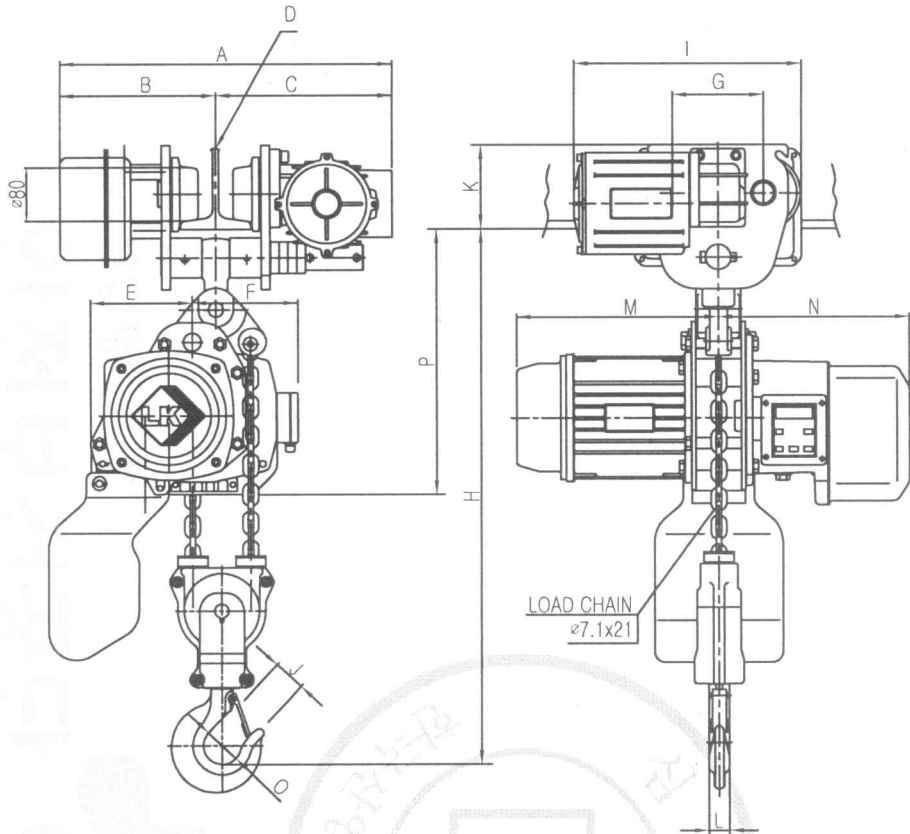
REV.NO	DATE	REVISION	DESCRIPTION	DRAWN	CHECKED	APPROVED

TITLE				PROJECTION	
<b>CHAIN HOIST LTDM-2W</b>					
WORK NO	WORK NAME			SCALE	Q'TY
				N S	1
DRAWN	CHECKED	REVIEWED	APPROVED	DRAWING NO	
김 창 기					
2010.07.15					

# L K HOIST

ON GMD

NO	DESCRIPTION	SIZE	MAT'L	Q'TY	WT (kg)	REMARKS



제조일 : 0000-00-00  
 형식번호 : 00-000-00  
 정격하중 : 00-000-00  
 제조자 : (주)LK

## SPECIFICATION

		LTDM-2W		
RATED LOAD	(TON)	2.0		
TESTING LOAD	(TON)	2.5		
LIFTING HEIGHT	(M)	50		
HOISTING	SPEED (M/MIN)	4.1/1.0		
	MOTOR (KW)	2.0/0.5kw x 2/8p		
TRAVERSING	SPEED (M/MIN)	18.8	9.23	18.8/4.6
	MOTOR (KW)	0.3kw x 2p	0.2kw x 4p	0.3/0.15kw x 2/8p
POWER SUPPLY	AC220.380.440.460.480Vx3φ x 60 Hz			
OPERATING METHOD	P.B type ON . FL			
LOAD CHAIN	φ7.1 X 21 (2FALL)			
WEIGHT	(KG)	210		
I-BEAM 적용폭	100 ~ 175MM			

## DIMENSIONS

MODEL	A	B	C	D	E	F	G	H	I	J	K	L	M	N	O	P
LTDM-2W	479	222.5	256.5	100~175	181	155	130	640±21	370	40	110	30	294	273	53.5	409

- 적용 I-BEAM)
- 1) I- 200 X100 X7/10 - 3.0M
  - 2) I- 250 X125 X7.5/12.5 - 5.0M
  - 3) I- 300 X150 X10/18.5 - 7.5M
  - 4) I- 450 X175 X13/26 - 12M

REV.NO	DATE	REVISION	DESCRIPTION	DRAWN	CHECKED	APPROVED

## NOTE)

- 1)점검 설비를 갖출 것
- 2)인허가 서류를 완성검사시 제출 할 것

TITLE				PROJECTION	
<b>CHAIN HOIST LTDM-2W</b>					
WORK NO	WORK NAME			SCALE	Q' TY
				N S	1
DRAWN	CHECKED	REVIEWED	APPROVED	DRAWING NO	
김 창 기					
2010.07.15					
<b>L K HOIST CO., LTD.</b>					

물범복제 및 배포금지