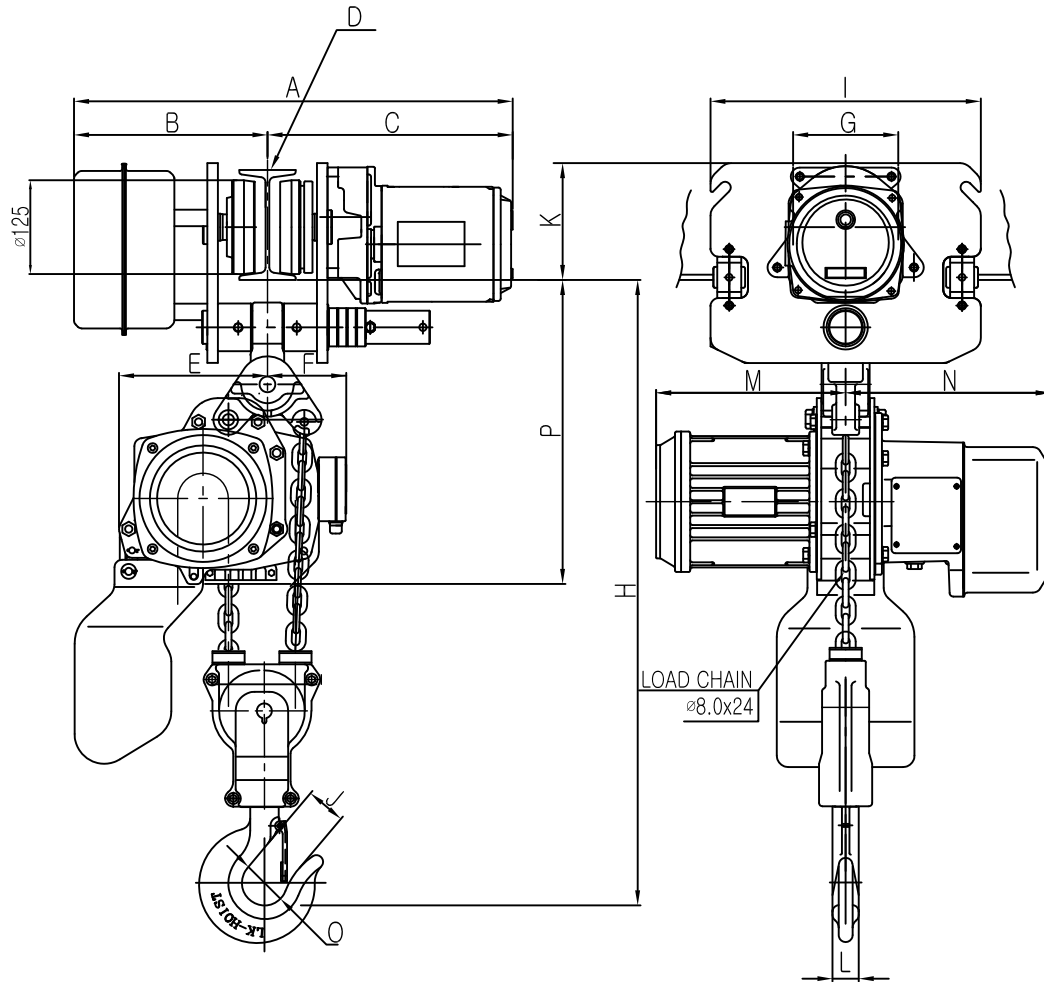


L K HOIST

NO	DESCRIPTION	SIZE	MAT' L	Q' TY	WT (kg)	REMARKS



DIMENSIONS

제조일 : 0000-00-00
 형식번호 : 00-000-00
 정격하중 : 00-000-00
 제조자 : (주)LK

SPECIFICATION

		LDSM-2.8W		
RATED LOAD	(TON)	2.8		
TESTING LOAD	(TON)	3.5		
LIFTING HEIGHT	(M)	50		
HOISTING	SPEED (M/MIN)	3.1		
	MOTOR (KW)	2.0kw x 4p		
TRAVERSING	SPEED (M/MIN)	20	14	20/7
	MOTOR (KW)	0.75kw x 4p	0.4kw x 6p	0.75/0.25kw x 4/12p
POWER SUPPLY	AC220.380.440.460,480Vx3ø x 60 Hz			
OPERATING METHOD	P.B type ON . FL			
LOAD CHAIN	ø8 X 24 (2FALL)			
WEIGHT	(KG)	237		
I-BEAM 적용폭	100 ~ 175MM			

NOTE)

- 1)점검 설비를 갖출 것
- 2)인허가 서류를 완성검사시 제출 할 것

MODEL	A	B	C	D	E	F	G	H	I	J	K	L	M	N	O	P
LDSM-2.8W	585	258	327	100~175	181	155	140	660±24	360	53	148	35	262	273	60	416

적용 I-BEAM)

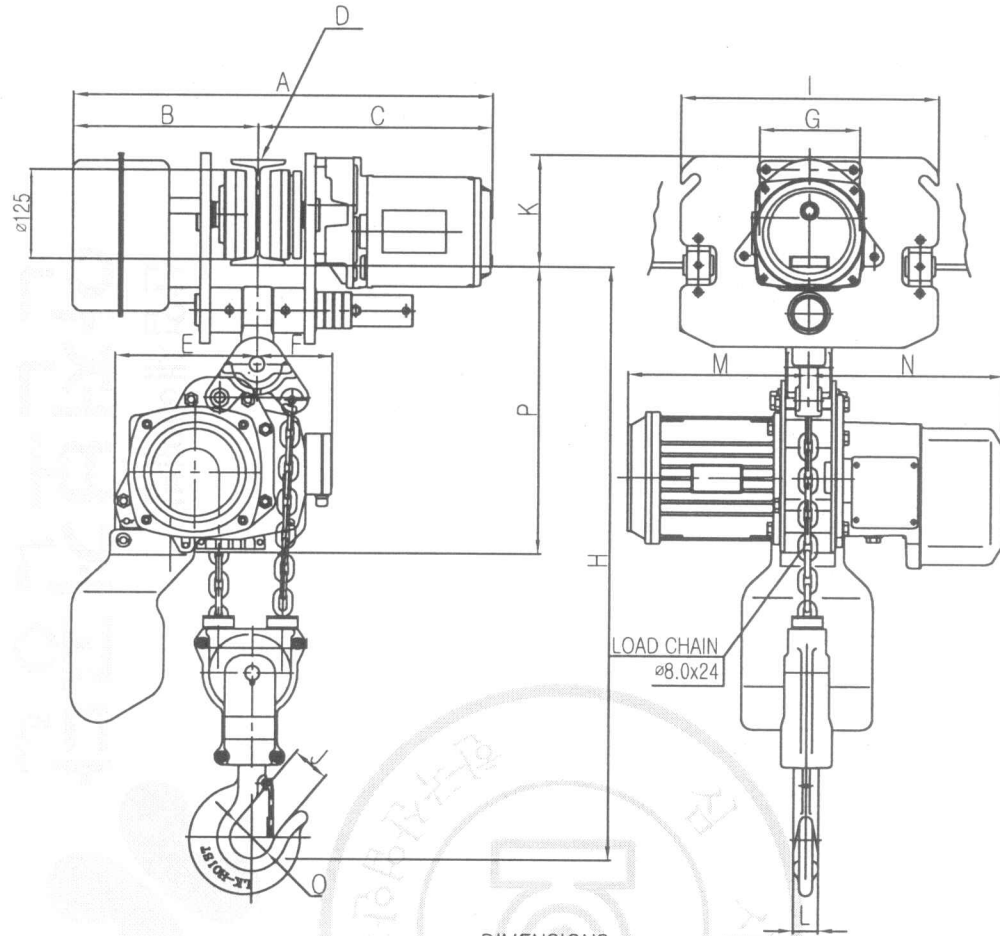
- 1) I- 200 X100 X7/10 - 2.2M
- 2) I- 250 X125 X7.5/12.5 - 4.2M
- 3) I- 300 X150 X10/18.5 - 6.5M
- 4) I- 450 X175 X13/26 - 11M

REV.NO	DATE	REVISION	DESCRIPTION	DRAWN	CHECKED	APPROVED

TITLE				PROJECTION	
CHAIN HOIST LDSM-2.8W					
WORK NO	WORK NAME			SCALE	Q' TY
				N S	1
DRAWN	CHECKED	REVIEWED	APPROVED	DRAWING NO	
김 창 기					
2010.07.15					
L K HOIST CO., LTD.					

L K HOIST

NO	DESCRIPTION	SIZE	MAT' L	Q' TY	WT (kg)	REMARKS



제조일 : 0000-00-00
 형식번호 : 00-000-00
 정격허중 : 00-000-00
 제조자 : (주)LK

SPECIFICATION

		LDSM-2.8W		
RATED LOAD	(TON)	2.8		
TESTING LOAD	(TON)	3.5		
LIFTING HEIGHT	(M)	50		
HOISTING	SPEED (M/MIN)	3.1		
	MOTOR (KW)	2.0kw x 4p		
TRAVERSING	SPEED (M/MIN)	20	14	20/7
	MOTOR (KW)	0.75kw x 4p	0.4kw x 6p	0.75/0.25kw x 4/12p
POWER SUPPLY	AC220.380.440.460.480Vx3ø x 60 Hz			
OPERATING METHOD	P.B type ON . FL			
LOAD CHAIN	ø8 X 24 (2FALL)			
WEIGHT	(KG)	237		
I-BEAM 적용폭	100 ~ 175MM			

DIMENSIONS

MODEL	A	B	C	D	E	F	G	H	I	J	K	L	M	N	O	P
LDSM-2.8W	585	258	327	100~175	181	155	140	660±24	360	53	148	35	262	273	60	416

적용 I-BEAM)

- 1) I- 200 X100 X7/10 - 2.2M
- 2) I- 250 X125 X7.5/12.5 - 4.2M
- 3) I- 300 X150 X10/18.5 - 6.5M
- 4) I- 450 X175 X13/26 - 11M

NOTE)

- 1)점검 설비를 갖추실 것
- 2)인허가 서류를 완성검사시 제출 할 것

REV.NO	DATE	REVISION	DESCRIPTION	DRAWN	CHECKED	APPROVED

TITLE					PROJECTION	
CHAIN HOIST LDSM-2.8W						
WORK NO	WORK NAME				SCALE	Q' TY
					N S	1
DRAWN	CHECKED	REVIEWED	APPROVED	DRAWING NO		
김창기						
2010.07.15						

품질보증 및 배포금지