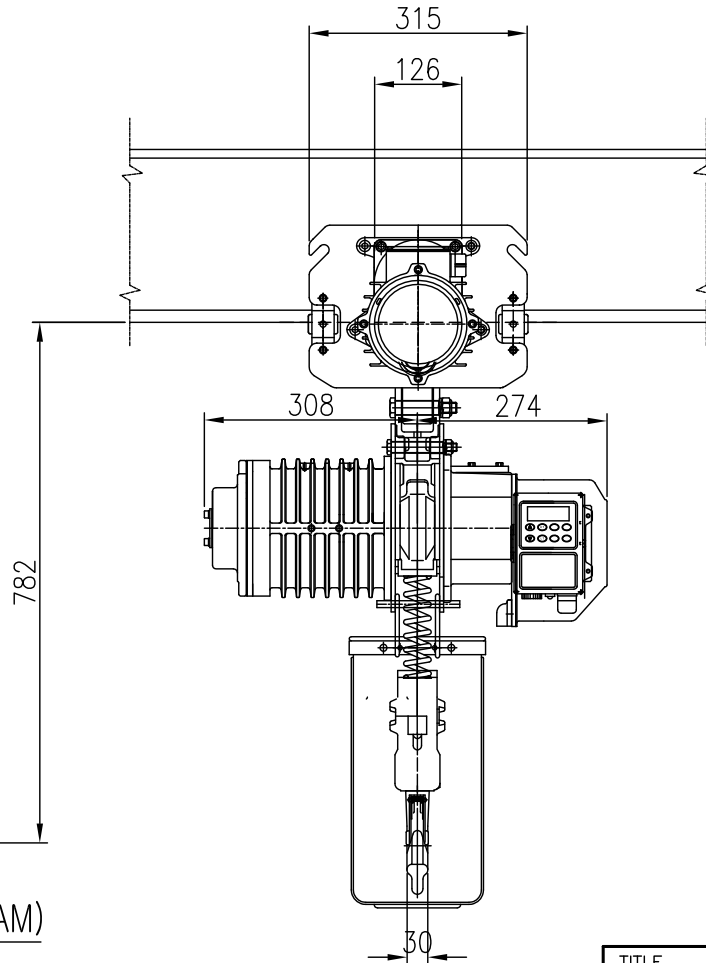
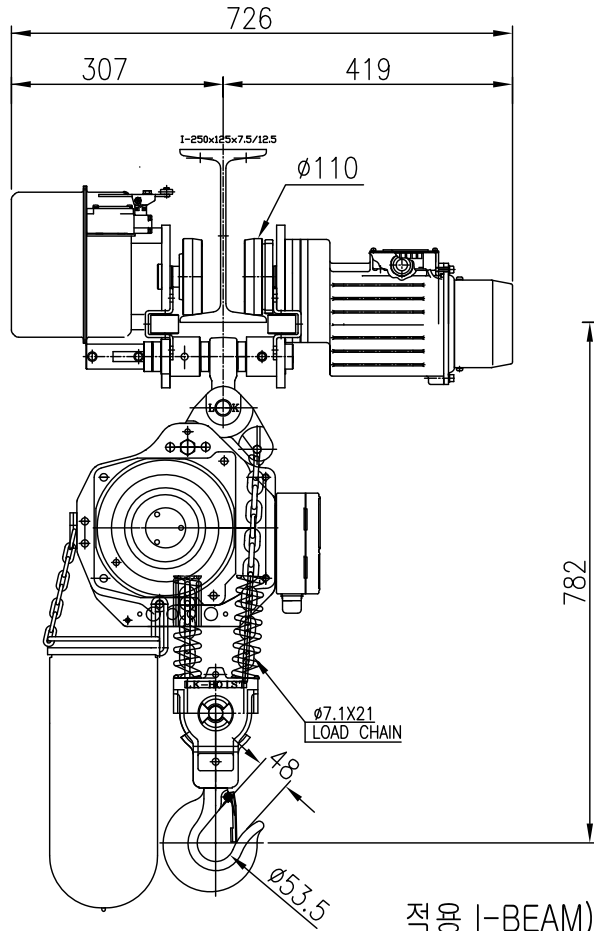


L K HOIST

NO	DESCRIPTION	MAT'L	Q'TY	WT (kg)	REMARKS



SPECIFICATION

		LK-EDAM-1.9W	
RATED LOAD	(TON)	1.9	
TESTING LOAD	(TON)	2.375	
LIFTING HEIGHT	(M)	50	
HOISTING	SPEED (M/MIN)	0.41 ~ 4.1	
	MOTOR (KW)	1.8kw x 4p	
TRAVERSING	SPEED (M/MIN)	2.1 ~ 21	1.4 ~ 14
	MOTOR (KW)	0.75kw x 4p	0.4kw x 6p
POWER SUPPLY	AC220.380.440.460,480Vx3φ x 60 Hz		
OPERATING METHOD	P.B type ON . FL		
LOAD CHAIN	φ7.1 X 21(2FALL)		
WEIGHT	(KG)	240KG	
I-BEAM 적용폭	100 ~ 190MM		

적용 I-BEAM)

- 1) 지점간 거리: I-200X100X7/10 - 3.0M
- 2) 지점간거리 : I-250X125X7.5/12.5-5.0M
- 3) 지점간거리 : I-300X150X10/18.5-7.5M
- 4) 지점간거리 : I-450X175X13/26-12M
- 5) 지점간거리 : I-600X190X13/25-15M

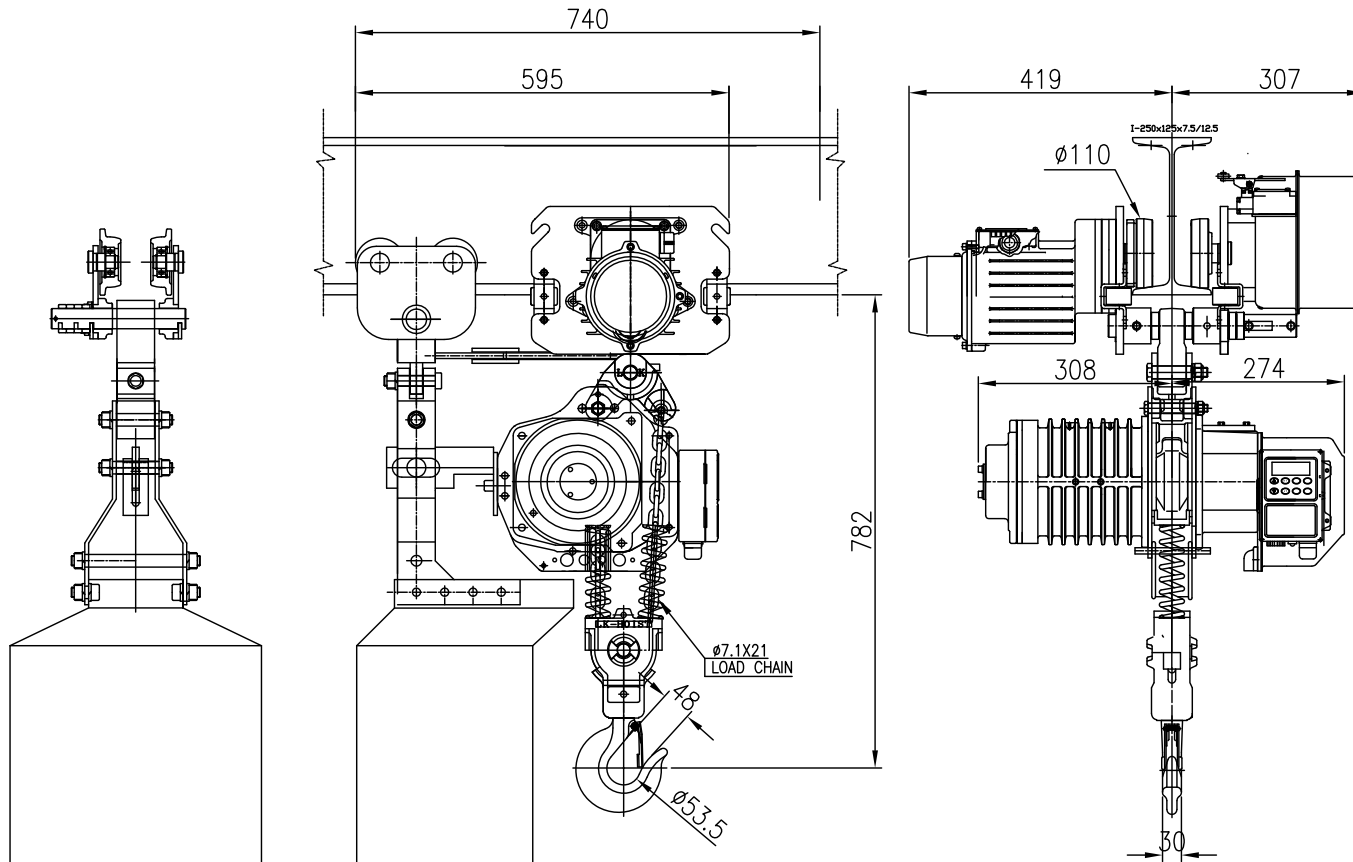
TITLE					PROJECTION	
ELECTRIC CHAIN HOIST LK-EDAM-1.9W						
WORK NO	WORK NAME				SCALE	Q'TY
4	LK-EDAM-1.9W				1/1	1
DRAWN	CHECKED	REVIEWED	APPROVED	DRAWING NO		
김창기				CODE NO		
2013.11.05						



L K HOIST CO., LTD.

L K HOIST

NO	DESCRIPTION	MAT' L	Q' TY	WT (kg)	REMARKS



SPECIFICATION

		LK-EDAM-1.9W
RATED LOAD	(TON)	1.9
TESTING LOAD	(TON)	2.375
LIFTING HEIGHT	(M)	50
HOISTING	SPEED (M/MIN)	0.41 ~ 4.1
	MOTOR (KW)	1.8kw x 4p
TRAVERSING	SPEED (M/MIN)	2.1 ~ 21
	MOTOR (KW)	0.4kw x 6p
POWER SUPPLY	AC220.380.440.460.480Vx3ø x 60 Hz	
OPERATING METHOD	P.B type ON . FL	
LOAD CHAIN	ø7.1 X 21(2FALL)	
WEIGHT	(KG)	240KG
I-BEAM 적용폭	100 ~ 190MM	

적용 I-BEAM)

- 1) 지점간 거리: I-200X100X7/10 - 3.0M
- 2) 지점간거리 : I-250X125X7.5/12.5-5.0M
- 3) 지점간거리 : I-300X150X10/18.5-7.5M
- 4) 지점간거리 : I-450X175X13/26-12M
- 5) 지점간거리 : I-600X190X13/25-15M

TITLE				PROJECTION	
ELECTRIC CHAIN HOIST LK-EDAM-1.9W					
WORK NO	WORK NAME			SCALE	Q' TY
4	LK-EDAM-1.9W			1/1	1
DRAWN	CHECKED	REVIEWED	APPROVED	DRAWING NO	
김 창 기				CODE NO	
2013.11.05					

REV.NO	DATE	REVISION	DESCRIPTION	DRAWN	CHECKED	APPROVED



L K HOIST CO., LTD.