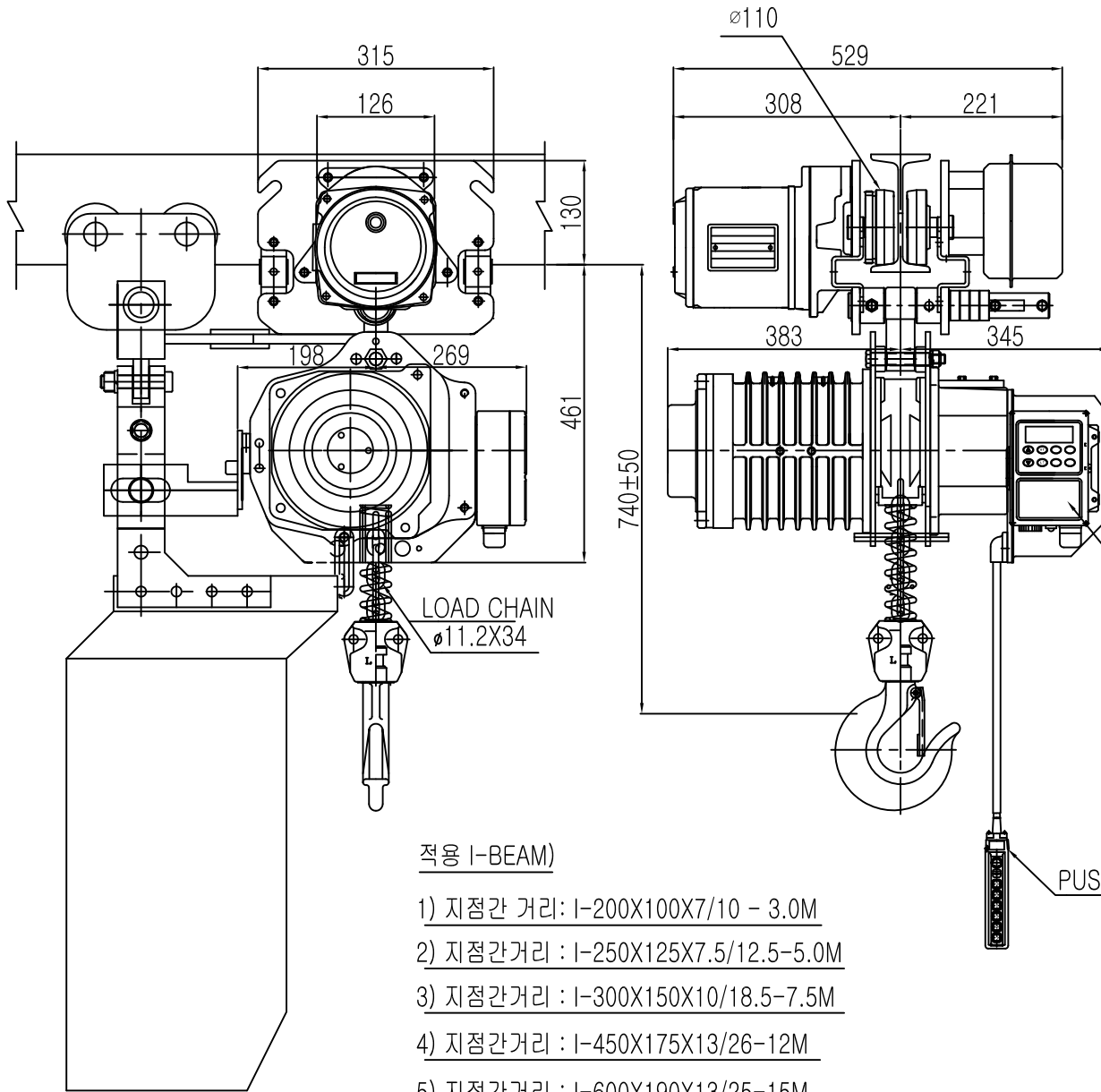


L K HOIST

NO	DESCRIPTION	SIZE	MAT L	Q' TY	WT (kg)	REMARKS



SPECIFICATION

		LK-DBM-1.9S		
RATED LOAD	(TON)	1.9		
TESTING LOAD	(TON)	2.375		
LIFTING HEIGHT	(M)	50		
HOISTING	SPEED (M/MIN)	8.1/2.7		
	MOTOR (KW)	4.4/2.2kw x 2/6p		
TRAVERSING	SPEED (M/MIN)	21	14	21/7
	MOTOR (KW)	0.75kw x 4p	0.4kw x 6p	0.75/0.25kw x 4/12p
POWER SUPPLY	AC220.380.440.460.480Vx3ø x 60 Hz			
OPERATING METHOD	P.B type ON . FL			
LOAD CHAIN	ø11.2 X 34 (1FALL)			
WEIGHT	(KG)	317KG		
I-BEAM 적용폭	100 ~ 190MM			

NOTE)

- 1) 점검 설비를 갖출 것
- 2) 인허가 서류를 완성검사시 제출 할 것

적용 I-BEAM)

- 1) 지점간 거리 : I-200X100X7/10 - 3.0M
- 2) 지점간거리 : I-250X125X7.5/12.5-5.0M
- 3) 지점간거리 : I-300X150X10/18.5-7.5M
- 4) 지점간거리 : I-450X175X13/26-12M
- 5) 지점간거리 : I-600X190X13/25-15M

TITLE					PROJECTION	
ELECTRIC CHAIN HOIST DBM-1.9S						
WORK NO	WORK NAME			SCALE		Q' TY
	LK-DBM-1.9S					1
DRAWN	CHECKED	REVIEWED	APPROVED	DRAWING NO		
김 창 기				CODE NO		
2010.08.01						

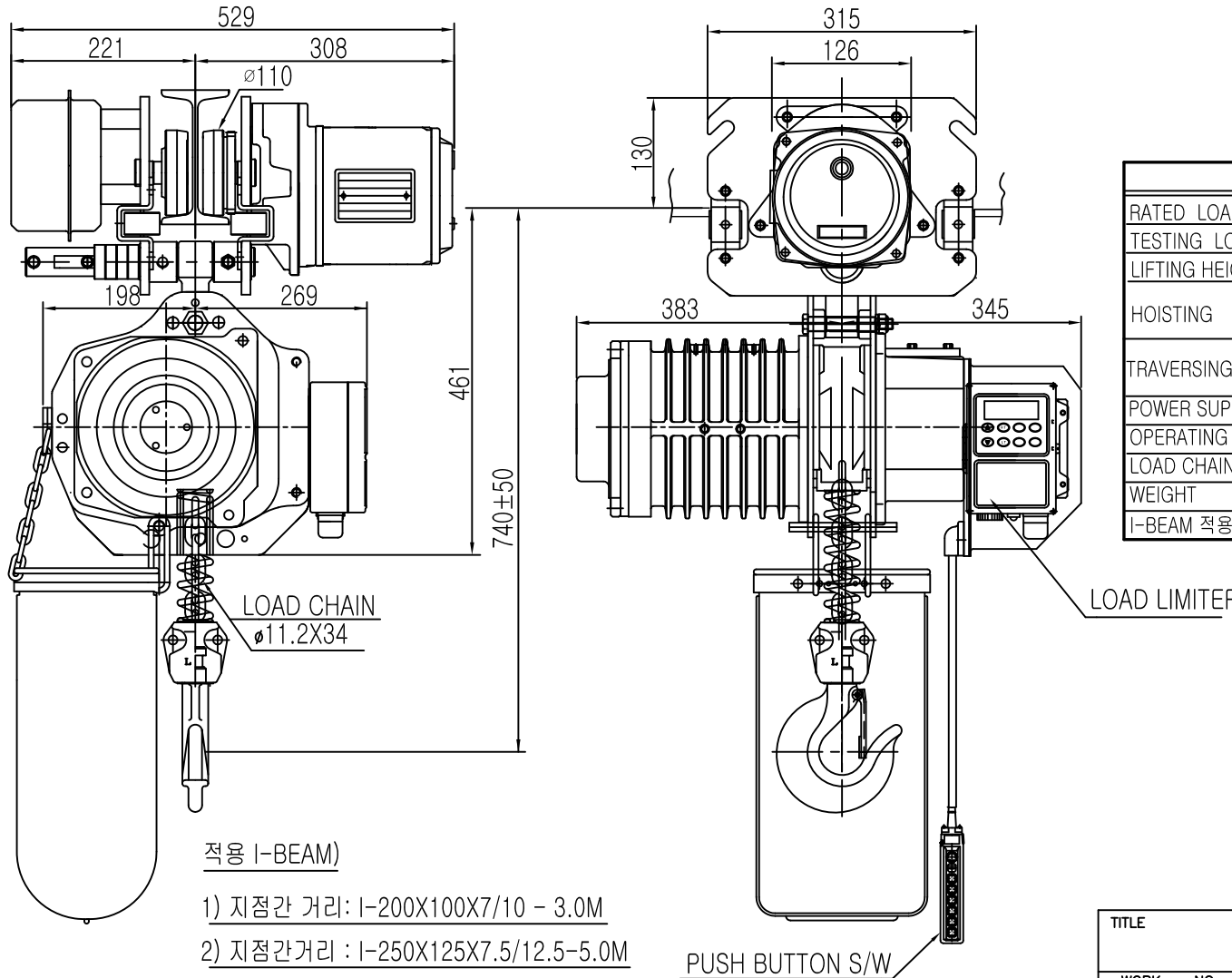
REV.NO	DATE	REVISION	DESCRIPTION	DRAWN	CHECKED	APPROVED



L K HOIST CO., LTD.

L K HOIST

NO	DESCRIPTION	SIZE	MAT'L	Q'TY	WT (kg)	REMARKS



SPECIFICATION

		LK-DBM-1.9S		
RATED LOAD	(TON)	1.9		
TESTING LOAD	(TON)	2.375		
LIFTING HEIGHT	(M)	50		
HOISTING	SPEED (M/MIN)	8.1/2.7		
	MOTOR (KW)	4.4/2.2kw x 2/6p		
TRAVERSING	SPEED (M/MIN)	21	14	21/7
	MOTOR (KW)	0.75kw x 4p	0.4kw x 6p	0.75/0.25kw x 4/12p
POWER SUPPLY	AC220.380.440.460.480Vx3 ϕ x 60 Hz			
OPERATING METHOD	P.B type ON . FL			
LOAD CHAIN	$\phi 11.2 \times 34$ (1FALL)			
WEIGHT	(KG)	317KG		
I-BEAM 적용폭	100 ~ 190MM			

NOTE)

- 1) 점검 설비를 갖출 것
- 2) 인허가 서류를 완성검사시 제출 할 것

적용 I-BEAM)

- 1) 지점간 거리: I-200X100X7/10 - 3.0M
- 2) 지점간거리 : I-250X125X7.5/12.5-5.0M
- 3) 지점간거리 : I-300X150X10/18.5-7.5M
- 4) 지점간거리 : I-450X175X13/26-12M
- 5) 지점간거리 : I-600X190X13/25-15M

TITLE		ELECTRIC CHAIN HOIST			PROJECTION	
WORK NO	WORK NAME			SCALE	Q'TY	
	LK-DBM-1.9S					
DRAWN	CHECKED	REVIEWED	APPROVED	DRAWING NO		
김창기				CODE NO		
2010.08.01						

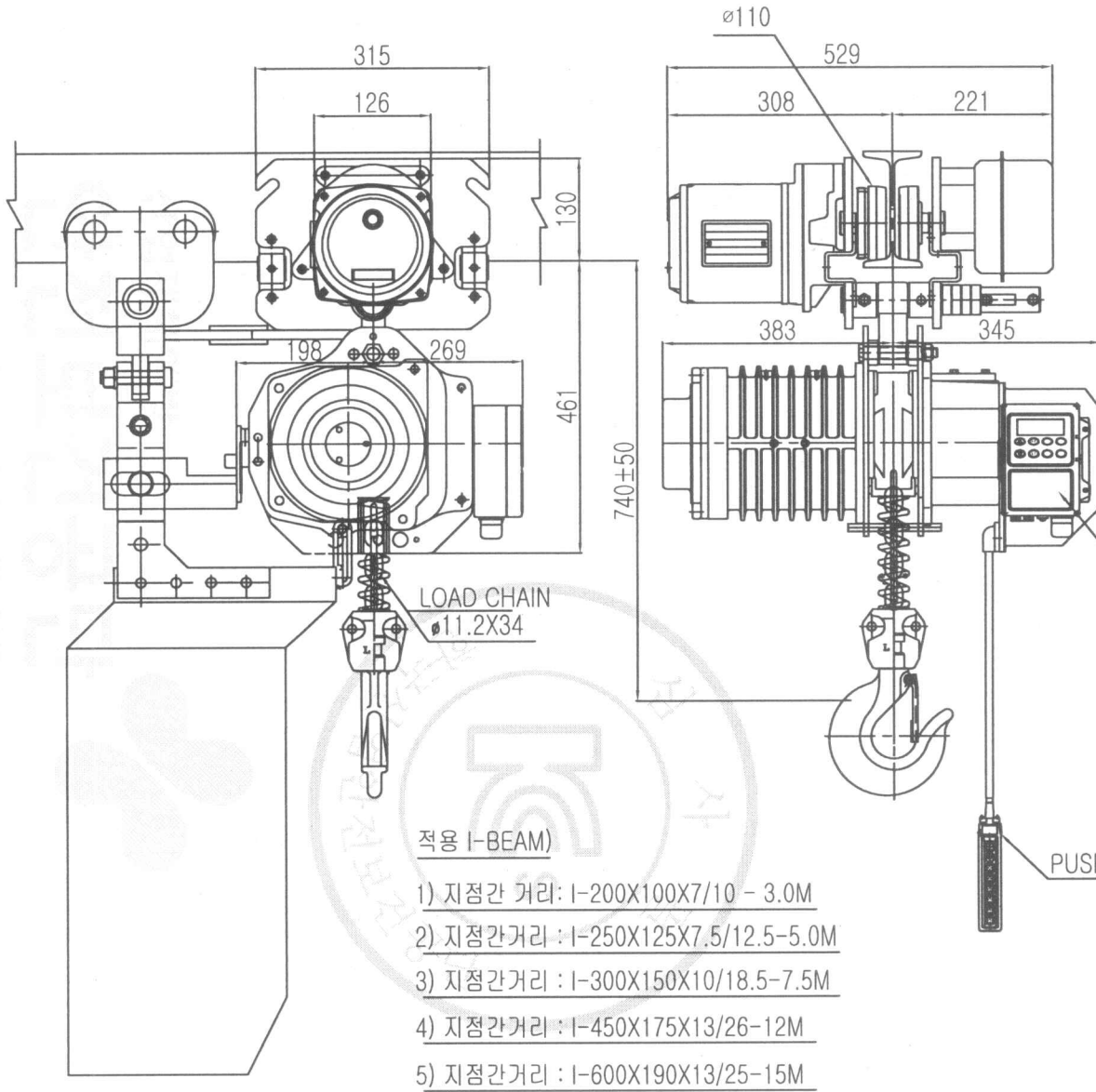
REV.NO	DATE	REVISION	DESCRIPTION	DRAWN	CHECKED	APPROVED



L K HOIST CO., LTD.

L K HOIST

NO	DESCRIPTION	SIZE	MAT'L	Q'TY	WT (kg)	REMARKS



SPECIFICATION

		LK-DBM-1.9S		
RATED LOAD	(TON)	1.9		
TESTING LOAD	(TON)	2.375		
LIFTING HEIGHT	(M)	50		
HOISTING	SPEED (M/MIN)	8.1/2.7		
	MOTOR (KW)	4.4/2.2kw x 2/6p		
TRAVERSING	SPEED (M/MIN)	21	14	21/7
	MOTOR (KW)	0.75kw x 4p	0.4kw x 6p	0.75/0.25kw x 4/12p
POWER SUPPLY	AC220.380.440.460.480Vx3ø x 60 Hz			
OPERATING METHOD	P.B type ON . FL			
LOAD CHAIN	ø11.2 X 34 (1FALL)			
WEIGHT	(KG)	317KG		
I-BEAM 적용폭	100 ~ 190MM			

NOTE)

- 1) 점검 설비를 갖출 것
- 2) 인허가 서류를 완성검사시 제출 할 것

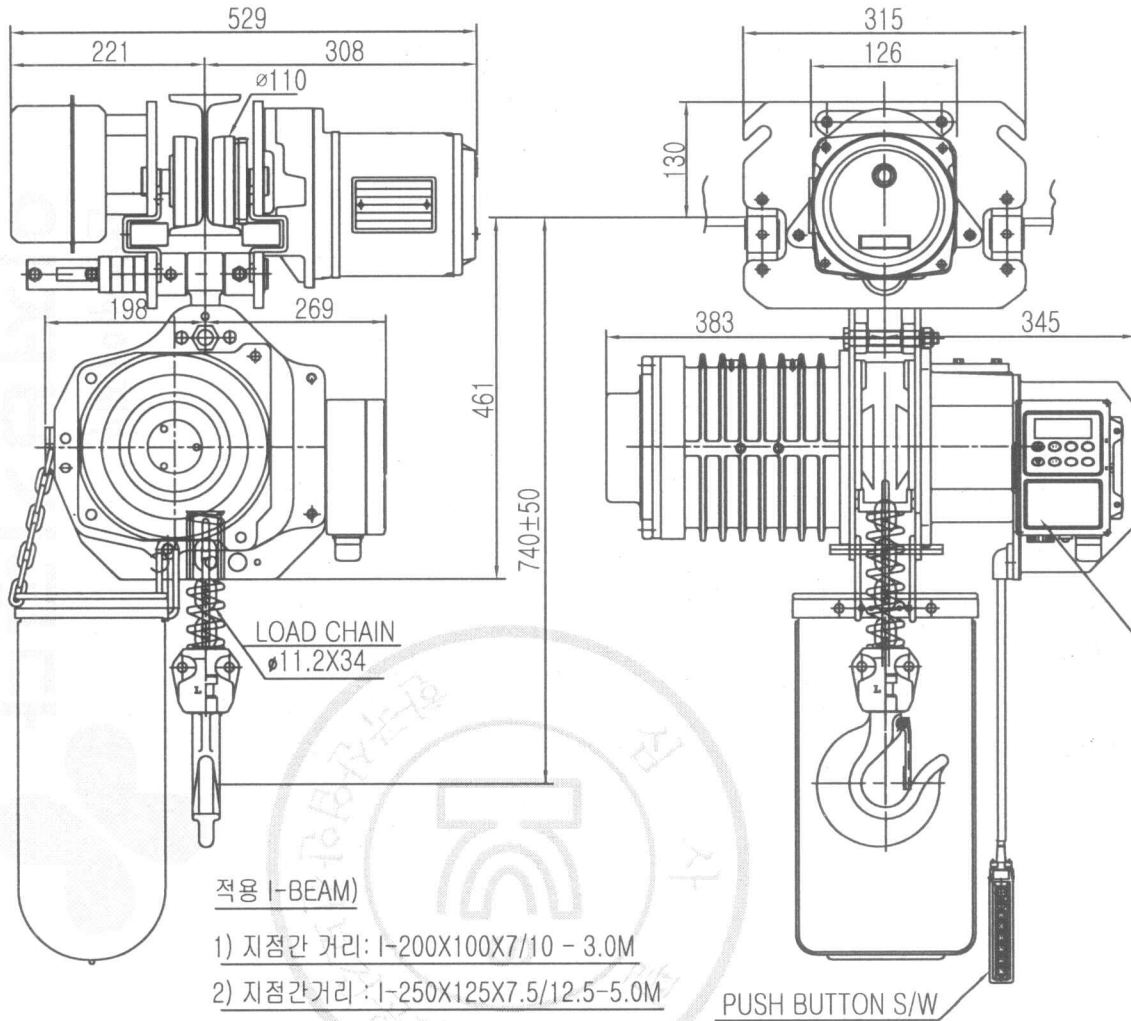
TITLE		ELECTRIC CHAIN HOIST DBM-1.9S		PROJECTION	
WORK NO	WORK NAME	SCALE	Q' TY		
	LK-DBM-1.9S		1		
DRAWN	CHECKED	REVIEWED	APPROVED	DRAWING NO	
김 창 기				CODE NO	
2010.08.01					
L K HOIST CO., LTD.					

REV.NO	DATE	REVISION	DESCRIPTION	DRAWN	CHECKED	APPROVED

물범복제 및 배포금지

L K HOIST

NO	DESCRIPTION	SIZE	MAT L	Q' TY	WT (kg)	REMARKS



SPECIFICATION

		LK-DBM-1.9S		
RATED LOAD	(TON)	1.9		
TESTING LOAD	(TON)	2.375		
LIFTING HEIGHT	(M)	50		
HOISTING	SPEED (M/MIN)	8.1/2.7		
	MOTOR (KW)	4.4/2.2kw x 2/6p		
TRAVERSING	SPEED (M/MIN)	21	14	21/7
	MOTOR (KW)	0.75kw x 4p	0.4kw x 6p	0.75/0.25kw x 4/12p
POWER SUPPLY	AC220.380.440.460.480Vx3ø x 60 Hz			
OPERATING METHOD	P.B type ON . FL			
LOAD CHAIN	ø11.2 X 34 (1FALL)			
WEIGHT	(KG)	317KG		
I-BEAM 적용폭	100 ~ 190MM			

적용 I-BEAM)

- 1) 지점간 거리: I-200X100X7/10 - 3.0M
- 2) 지점간거리 : I-250X125X7.5/12.5-5.0M
- 3) 지점간거리 : I-300X150X10/18.5-7.5M
- 4) 지점간거리 : I-450X175X13/26-12M
- 5) 지점간거리 : I-600X190X13/25-15M

LOAD LIMITER

NOTE)

- 1)점검 설비를 갖출 것
- 2)인허가 서류를 완성검사시 제출 할 것

TITLE		ELECTRIC CHAIN HOIST			PROJECTION	
WORK NO	WORK NAME	L K HOIST CO., LTD.		SCALE	Q' TY	
L K HOIST CO., LTD.		L K HOIST CO., LTD.		N/S	1	
DRAWN	CHECKED	REVIEWED	APPROVED	DRAWING NO		
김 창 기				CODE NO		
2010.08.01						

REV.NO	DATE	REVISION	DESCRIPTION	DRAWN	CHECKED	APPROVED

물범북제 및 배포금지