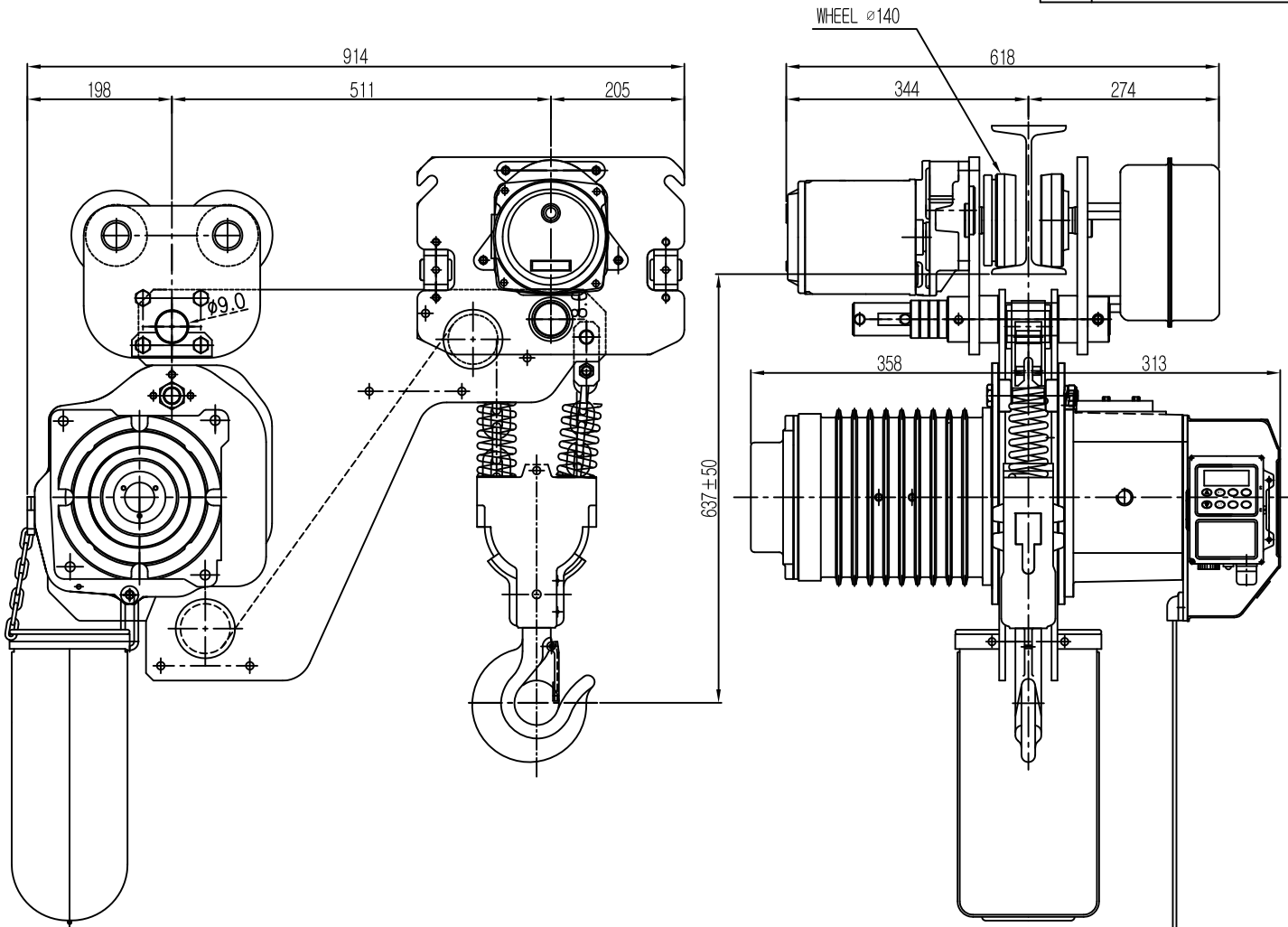


ON 9MD

L K HOIST

NO	DESCRIPTION	SIZE	MAT' L	Q' TY	WT (kg)	REMARKS



SPECIFICATION

		LK-SHEDAM-5W		
RATED LOAD	(TON)	5.0		
TESTING LOAD	(TON)	6.25		
LIFTING HEIGHT	(M)	50		
HOISTING	SPEED (M/MIN)	0.325 ~ 3.25 (인버터)		
	MOTOR (KW)	3.5kw x 4p		
TRAVERSING	SPEED (M/MIN)	20	14	20/7
	MOTOR (KW)	0.75kw x 4p	0.4kw x 6p	0.75/0.25kw x 4/12p
POWER SUPPLY	AC220.380.440.460.480 V x 3ø x 60 Hz			
OPERATING METHOD	P.B type ON . FL			
LOAD CHAIN	ø11.2 X 34 (2FALL)			
WEIGHT	(KG)	610		
I-BEAM 적용폭		125 ~ 190MM		
H-BEAM 적용폭		125 ~ 200MM		

NOTE)

- 1) 점검 설비를 갖출 것
- 2) 인허가 서류를 완성검사시 제출 할 것

I-BEAM	지점간 거리(M)	H-BEAM	지점간 거리(M)
250x125x7.5	2.5	250x125x6	1.5
300x150x10	5	300x150x6.5	2.5
450x175x13	9	350x175x7	4
600x190x13	12	450x200x9	7.5

TITLE		ELECTRIC CHAIN HOIST		PROJECTION	
WORK NO	WORK NAME	SCALE	Q' TY		
DRAWN	LK-SHEDAM-5W	N S	1		
CHECKED	REVIEWED	APPROVED	DRAWING NO		
2010.08.01			CORD NO		

LK L K HOIST CO., LTD.

REV.NO	DATE	REVISION	DESCRIPTION	DRAWN	CHECKED	APPROVED