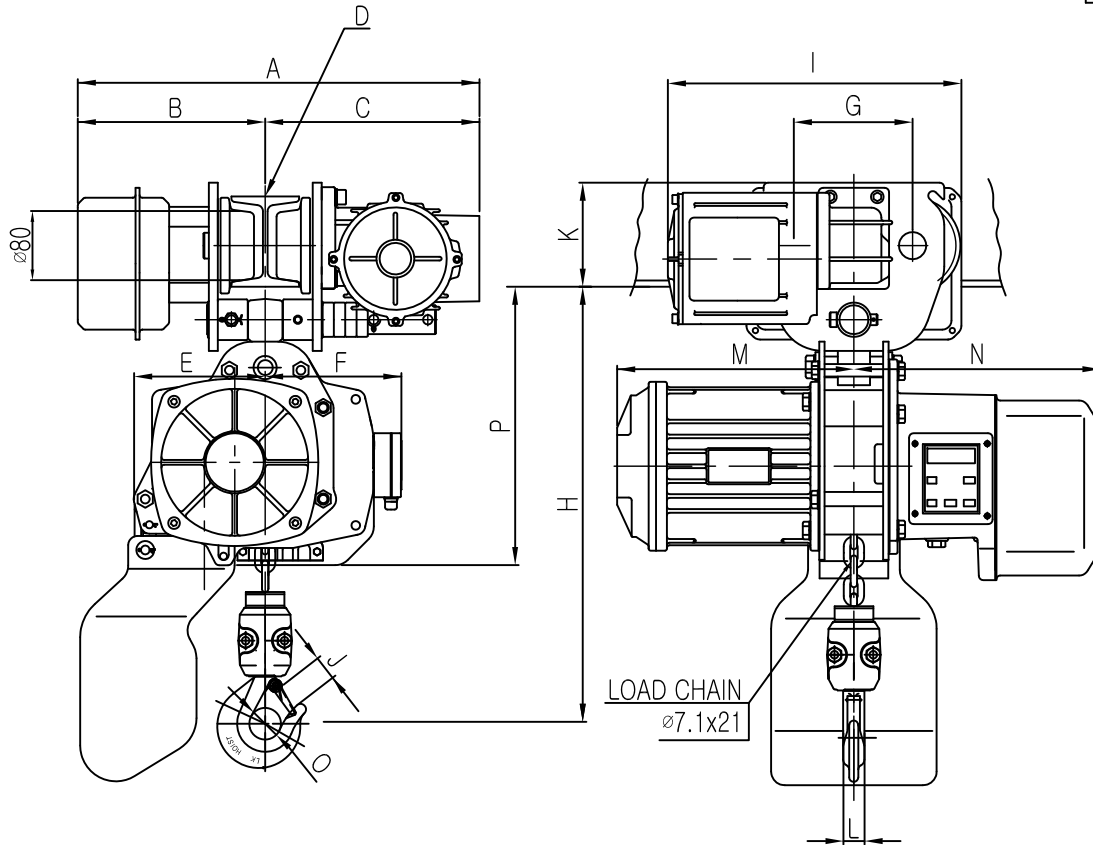


ON GMD

L K HOIST

| NO | DESCRIPTION | SIZE | MAT'L | Q'TY | WT (kg) | REMARKS |
|----|-------------|------|-------|------|---------|---------|
| | | | | | | |



제조일 : 0000-00-00
 형식번호 : 00-000-00
 정격하중 : 00-000-00
 제조자 : (주)LK

SPECIFICATION

| | | LTM-1S | | |
|--------------------|-----------------------------------|------------|------------|-------------------|
| RATED LOAD (TON) | | 1.0 | | |
| TESTING LOAD (TON) | | 1.25 | | |
| LIFTING HEIGHT (M) | | 50 | | |
| HOISTING | SPEED (M/MIN) | 8.2 | | 5.4 |
| | MOTOR (KW) | 1.8kw x 4p | | 1.2kw x 6p |
| TRAVERSING | SPEED (M/MIN) | 18.8 | 9.23 | 18.8/4.6 |
| | MOTOR (KW) | 0.3kw x 2p | 0.2kw x 4p | 0.3/0.15kw x 2/8p |
| POWER SUPPLY | AC220.380.440.460.480Vx3ø x 60 Hz | | | |
| OPERATING METHOD | P.B type ON . FL | | | |
| LOAD CHAIN | ø7.1 X 21(1FALL) | | | |
| WEIGHT (KG) | 130 | | | |
| I-BEAM 적용폭 | 75 ~ 175MM | | | |

DIMENSIONS

| MODEL | A | B | C | D | E | F | G | H | I | J | K | L | M | N | O | P |
|--------|-----|-----|-----|--------|-----|-----|-----|--------|-----|----|-----|----|-----|-----|----|-----|
| LTM-1S | 449 | 207 | 242 | 75~175 | 145 | 191 | 130 | 446±21 | 370 | 25 | 110 | 24 | 262 | 273 | 35 | 342 |

적용 I-BEAM)

- 1) I- 150 X75 X5.5/9.5 - 2.8M
- 2) I- 200 X100 X7/10 - 4.5M
- 3) I- 250 X125 X7.5/12.5 - 6.5M
- 4) I- 300 X150 X10/18.5 - 9.5M
- 5) I- 450 X175 X13/26 - 15M

| REV.NO | DATE | REVISION | DESCRIPTION | DRAWN | CHECKED | APPROVED |
|--------|------|----------|-------------|-------|---------|----------|
| | | | | | | |

NOTE)

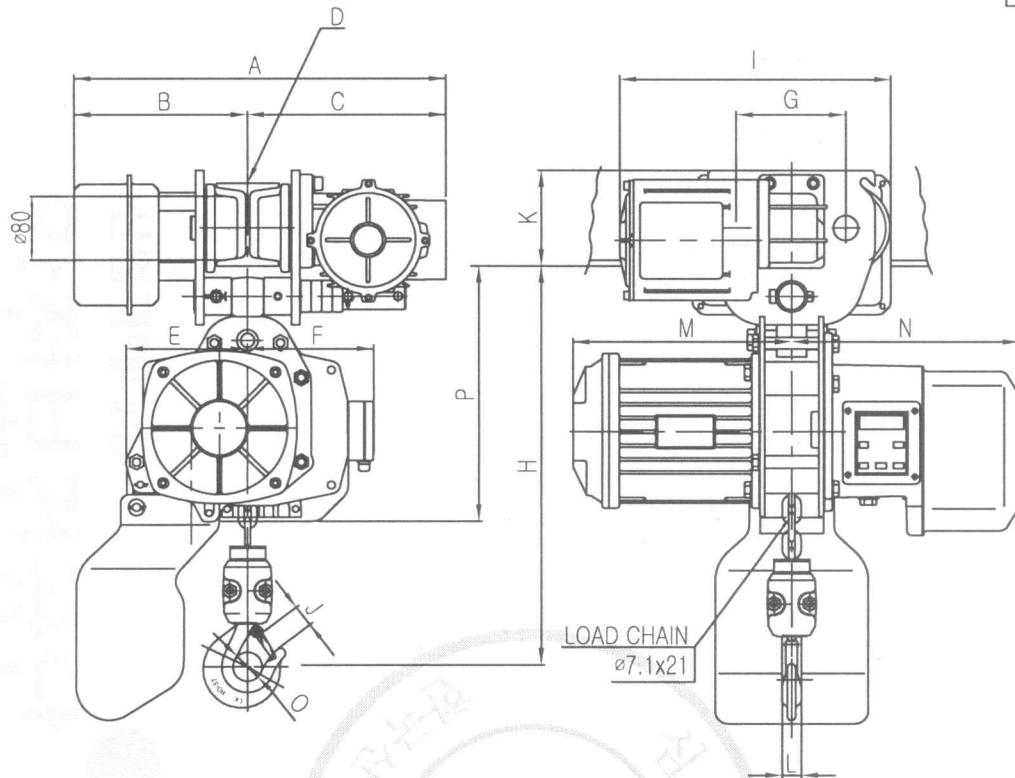
- 1)점검 설비를 갖출 것
- 2)인허가 서류를 완성검사시 제출 할 것

| TITLE | | | | | PROJECTION | |
|---------------------------|-----------|----------|----------|------------|------------|-------|
| CHAIN HOIST LTM-1S | | | | | | |
| WORK NO | WORK NAME | | | | SCALE | Q' TY |
| | | | | | N S | 1 |
| DRAWN | CHECKED | REVIEWED | APPROVED | DRAWING NO | | |
| 김창기 | | | | | | |
| 2010.07.15 | | | | | | |
| | | | | | | |

ON 5MG

L K HOIST

| NO | DESCRIPTION | SIZE | MAT'L | Q'TY | WT (kg) | REMARKS |
|----|-------------|------|-------|------|---------|---------|
| | | | | | | |



제조일 : 0000-00-00
 형식번호 : 00-000-00
 정격하중 : 00-000-00
 제조자 : (주)LK

SPECIFICATION

| | | LTM-1S | | |
|------------------|-----------------------------------|------------|------------|-------------------|
| RATED LOAD | (TON) | 1.0 | | |
| TESTING LOAD | (TON) | 1.25 | | |
| LIFTING HEIGHT | (M) | 50 | | |
| HOISTING | SPEED (M/MIN) | 8.2 | | 5.4 |
| | MOTOR (KW) | 1.8kw x 4p | | 1.2kw x 6p |
| TRAVERSING | SPEED (M/MIN) | 18.8 | 9.23 | 18.8/4.6 |
| | MOTOR (KW) | 0.3kw x 2p | 0.2kw x 4p | 0.3/0.15kw x 2/8p |
| POWER SUPPLY | AC220.380.440.460,480Vx3ø x 60 Hz | | | |
| OPERATING METHOD | P.B type ON . FL | | | |
| LOAD CHAIN | ø7.1 X 21(1FALL) | | | |
| WEIGHT | (KG) | 130 | | |
| I-BEAM 적용폭 | 75 ~ 175MM | | | |

DIMENSIONS

| MODEL | A | B | C | D | E | F | G | H | I | J | K | L | M | N | O | P |
|--------|-----|-----|-----|--------|-----|-----|-----|--------|-----|----|-----|----|-----|-----|----|-----|
| LTM-1S | 449 | 207 | 242 | 75~175 | 145 | 191 | 130 | 446±21 | 370 | 25 | 110 | 24 | 262 | 273 | 35 | 342 |

적용 I-BEAM)

- 1) I- 150 X75 X5.5/9.5 - 2.8M
- 2) I- 200 X100 X7/10 - 4.5M
- 3) I- 250 X125 X7.5/12.5 - 6.5M
- 4) I- 300 X150 X10/18.5 - 9.5M
- 5) I- 450 X175 X13/26 - 15M

| REV.NO | DATE | REVISION | DESCRIPTION | DRAWN | CHECKED | APPROVED |
|--------|------|----------|-------------|-------|---------|----------|
| | | | | | | |

NOTE)

- 1) 점검 설비를 갖출 것
- 2) 인허가 서류를 완성검사시 제출 할 것

| TITLE | | | | PROJECTION | |
|---------------------------|-----------|----------|----------|------------|-------|
| CHAIN HOIST LTM-1S | | | | | |
| WORK NO | WORK NAME | | | SCALE | Q' TY |
| | | | | N S | 1 |
| DRAWN | CHECKED | REVIEWED | APPROVED | DRAWING NO | |
| 김창기 | | | | | |
| 2010.07.15 | | | | | |
| | | | | | |

품질보증 및 배포금지