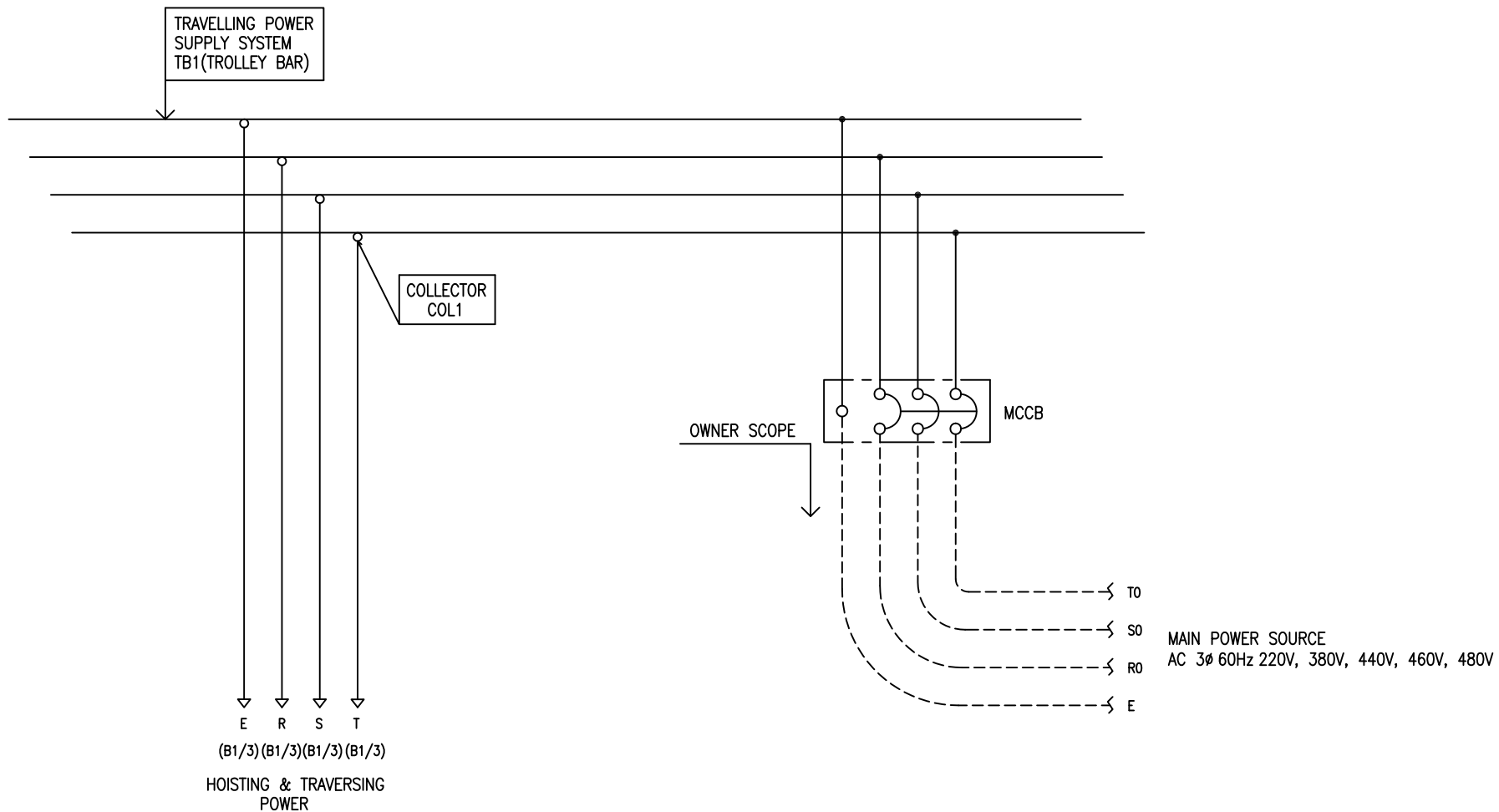


POWER CIRCUIT
TRAVELLING POWER SUPPLY SYSTEM

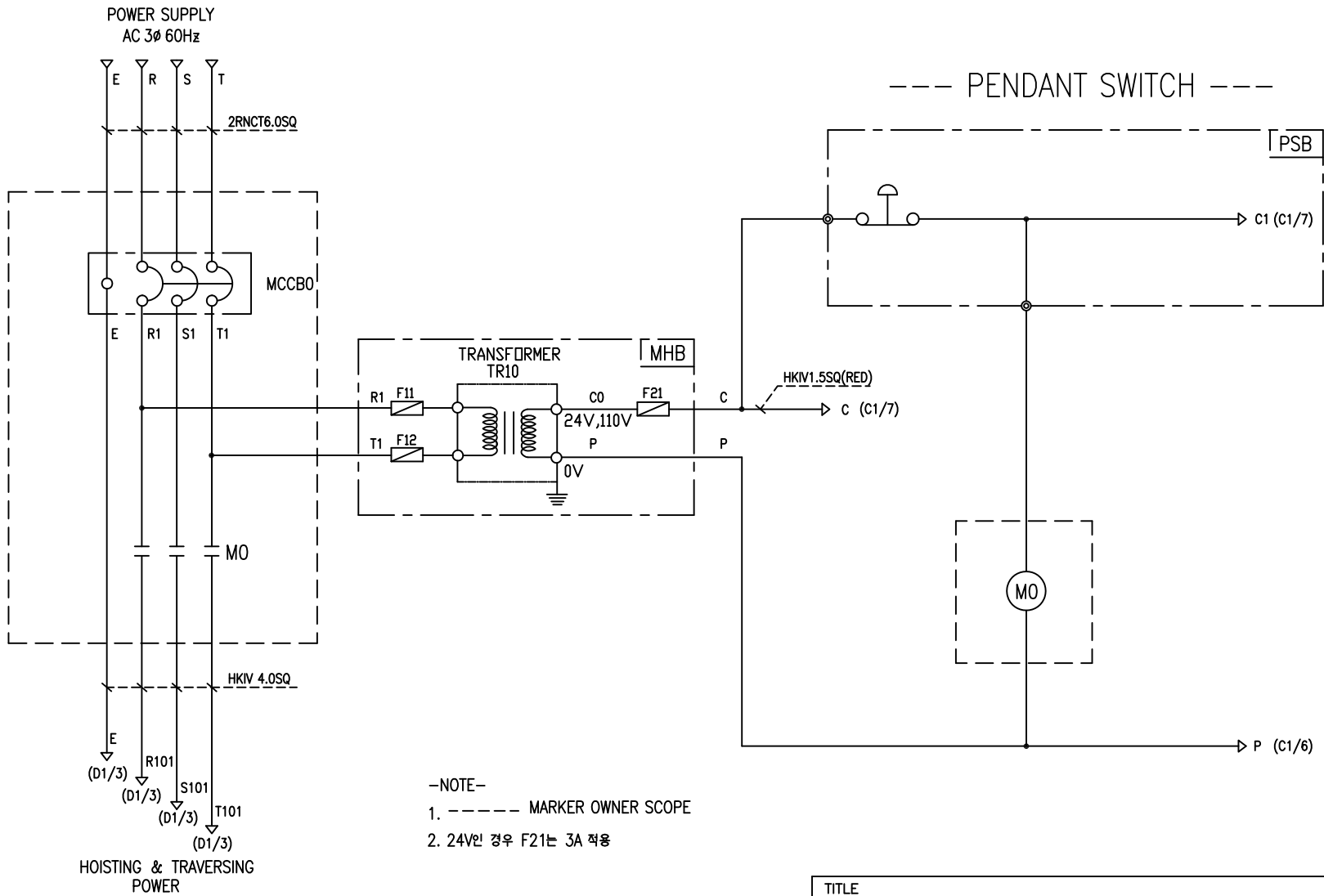
ADDRESS NO.
A1



-NOTE-

- 1. - - - - MARKED OWNER SCOPE
- 2. ——— MARKED CRAIN MAKER SCOPE

| | | | | | |
|--------------------------------------|------------------|----------|----------|-------------------|------------|
| TITLE MAIN POWER CIRCUIT DIAGRAM1 | | | | PROJECTION | |
| WORK NO 601 | WORK NAME DAM | | | SCALE 1/1 | Q' TY 1 |
| 220V, 380V, 440V, 460V, 480V | | | | | |
| DRAWN LEE G.H. 2010.07.30 | CHECKED | REVIEWED | APPROVED | DRAWING NO DAM | CODE NO |
| | | | | | |



-NOTE-

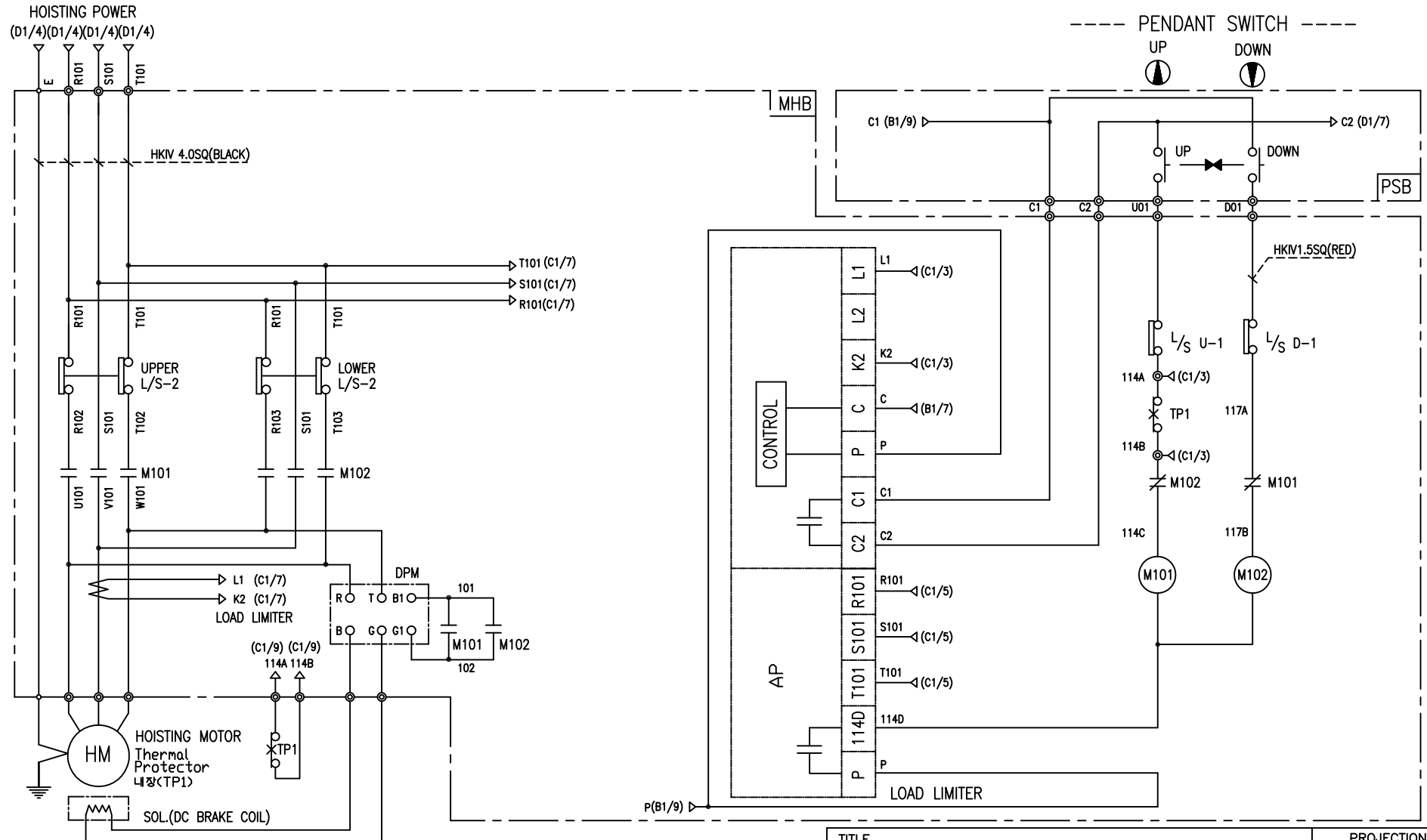
1. ----- MARKER OWNER SCOPE
2. 24V인 경우 F21는 3A 적용

| SPECIFICATION | NO FUSE BREAKER | MAGNET CONTACT | | TRANSFORMER | FUSE | |
|---------------|-----------------|----------------|-------|-------------|---------------|----|
| SYMBOLS | MCCBO | MO | | TR10 | F11, F12, F21 | |
| DESCRIPTION | 220V | 50A | GMC22 | DMC-22 | 60VA | 1A |
| | 380V | 30A | | | | |
| | 440V | 20A | | | | |
| | 460V | 20A | | | | |
| | 480V | 20A | | | | |
| MAKER | LS | LS | DONGA | LK | - | |

| | | | | | | | |
|---|--|------------------|----------|----------|-------|----------------|------------|
| TITLE MAIN POWER & CONTROL CIRCUIT DIAGRAM | | | | | | PROJECTION | |
| WORK NO 602 | | WORK NAME DAM | | | | SCALE 1/1 | Q' TY 1 |
| DRAWN LEE.G.H | | CHECKED | REVIEWED | APPROVED | MODEL | LK-DAM-3W | |
| 2010.07.30 | | | | | | | |
| L K HOIST CO., LTD. | | | | | | | |

HOIST POWER CIRCUIT

HOIST CONTROL CIRCUIT



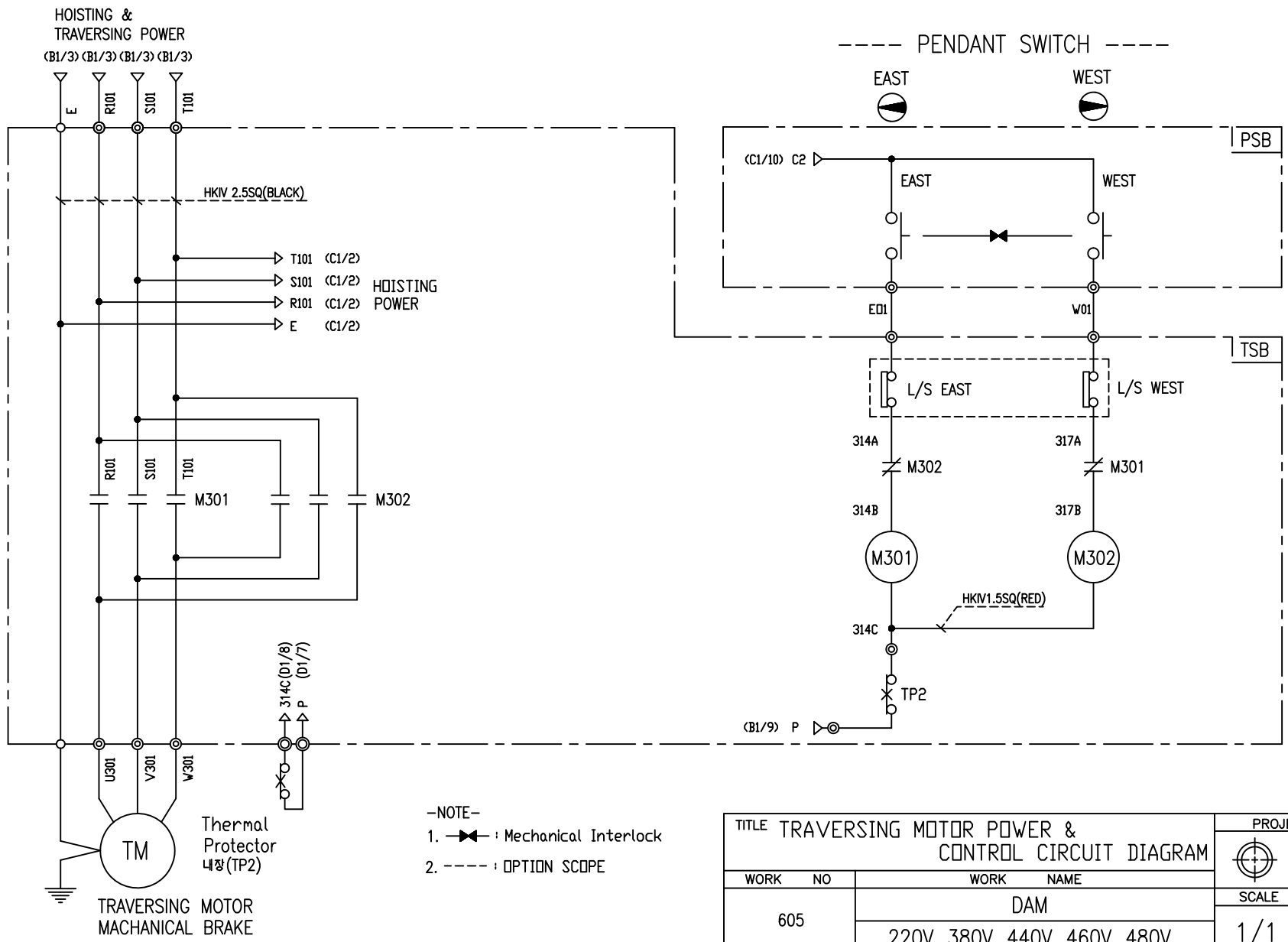
-NOTE-
1. —|— : Mechanical Interlock

| | | | | | | | | | |
|---------------|----------------|--------|--------------|-------------------|--------|--------|--------|-------------------|-------------|
| SPECIFICATION | MAGNET CONTACT | | LOAD LIMITER | SILICON RECTIFIER | | | | Thermal Protector | HOIST MOTOR |
| SYMBOLS | M101, M102 | | - | DPM | | | | TP1 | HM |
| DESCRIPTION | DMC-22 | GMC-22 | LKDL-601 | AC220V | AC440V | AC460V | AC480V | 17AM032 | 3.5Kw * 4P |
| | | | | DC99V | DC198V | DC207V | DC216V | | |
| MAKER | DONG-A | LS | LK | LK | | | | Texas Instruments | LK |

| | | | | | | | |
|---|--|------------------|----------|----------|-------|----------------|------------|
| TITLE HOIST POWER & CONTROL CIRCUIT DIAGRAM | | | | | | PROJECTION | |
| WORK NO 603 | | WORK NAME DAM | | | | SCALE 1/1 | Q' TY 1 |
| DRAWN LEE.G.H | | CHECKED | REVIEWED | APPROVED | MODEL | LK-DAM-3W | |
| 2010.07.30 | | | | | | | |
| L K HOIST CO., LTD. | | | | | | | |

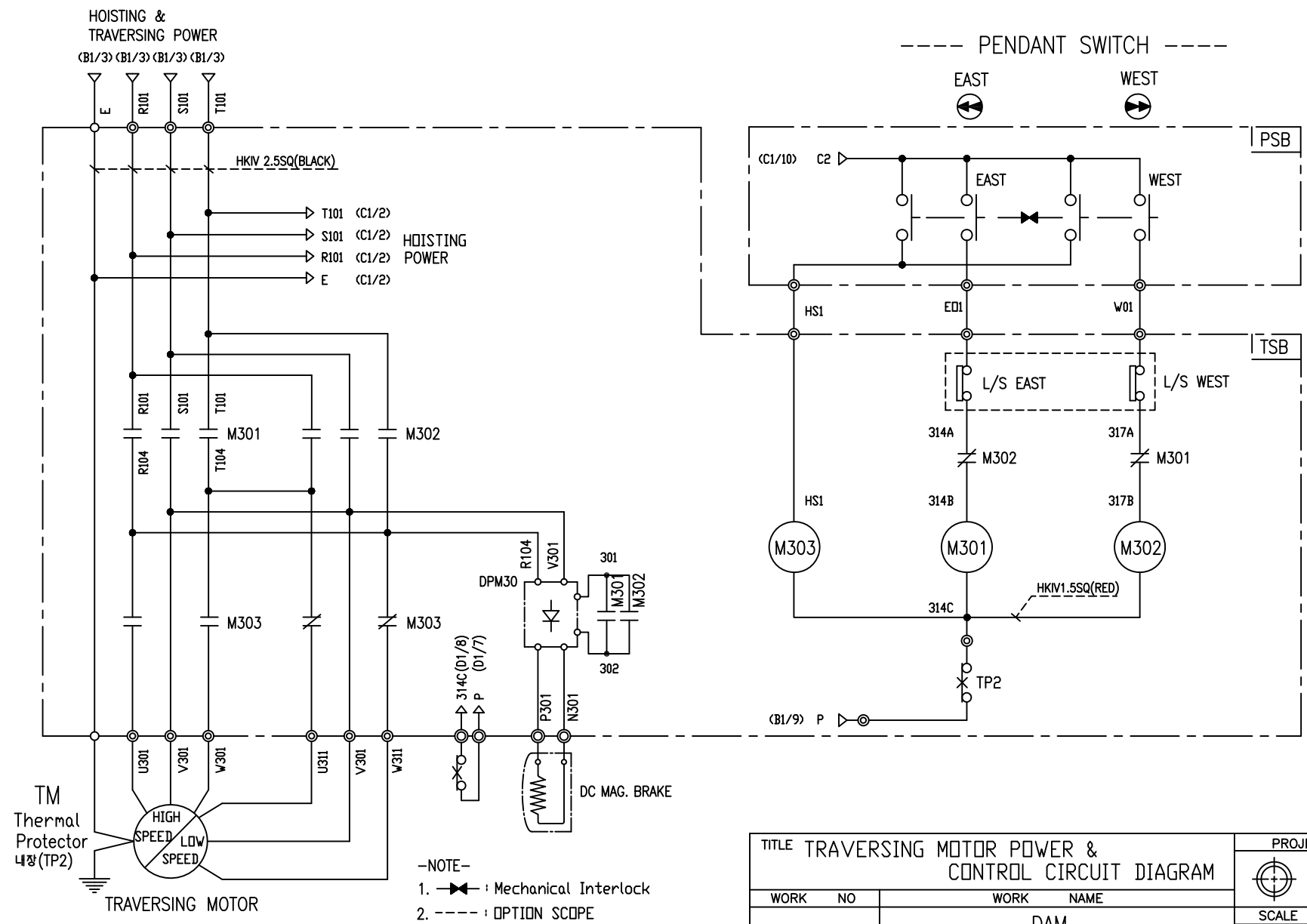
TRAVERSING POWER CIRCUIT

TRAVERSING CONTROL CIRCUIT



| | | | | | | |
|--|---------|----------|----------|-------|---------------|---------|
| TITLE TRAVERSING MOTOR POWER & CONTROL CIRCUIT DIAGRAM | | | | | PROJECTION | |
| WORK NO. 605 | | | | | WORK NAME DAM | |
| 220V, 380V, 440V, 460V, 480V | | | | | SCALE 1/1 | Q' TY 1 |
| DRAWN LEE.G.H | CHECKED | REVIEWED | APPROVED | MODEL | LK-DAM-3W | |
| 2010.07.30 | | | | | | |
| LK L K HOIST CO., LTD. | | | | | | |

| | | | |
|---------------|----------------|-------------------|----------------------|
| SPECIFICATION | MAGNET CONTACT | Thermal Protector | TRAVERSING MOTOR |
| SYMBOLS | M301, M302 | TP2 | TM |
| DESCRIPTION | GMC12 DMC12 | 17AM032 | 0.75KW *4P 0.4KW *6P |
| MAKER | LS DONGA | Texas Instruments | LK |



| | | | | | | | | | |
|---------------|------------------|-------|-------------------|-------------------|--------|--------|--------|--------|--------------------|
| SPECIFICATION | MAGNET CONTACT | | Thermal Protector | SILICON RECTIFIER | | | | | TRAVERSING MOTOR |
| SYMBOLS | M301, M302, M303 | | TP2 | DPM30 | | | | | TM |
| DESCRIPTION | GMC12 | DMC12 | 17AM032 | AC220V | AC380V | AC440V | AC460V | AC480V | 0.75/0.25KW *4/12P |
| | | | | DC99V | DC171V | DC198V | DC207V | DC216V | |
| MAKER | LS | DONGA | Texas Instruments | LK | | | | | LK |

| | | | | | | | |
|--|---------|------------------------------|----------|-------|-----------|------------|-------|
| TITLE TRAVERSING MOTOR POWER & CONTROL CIRCUIT DIAGRAM | | | | | | PROJECTION | |
| WORK NO | | WORK NAME | | | | | |
| 606 | | DAM | | | | SCALE | Q' TY |
| | | 220V, 380V, 440V, 460V, 480V | | | | 1/1 | 1 |
| DRAWN | CHECKED | REVIEWED | APPROVED | MODEL | LK-DAM-3W | | |
| LEE.G.H | | | | | | | |
| 2010.07.30 | | | | | | | |
| L K HOIST CO., LTD. | | | | | | | |

SCHEDULE OF TECHNICAL DATA

| | |
|---|-----------------------------|
| 1. SERVICE | HOISTING |
| 2. MANUFACTURE | LK HOIST CO. LTD |
| 3. MOTOR MODEL NO | 3.5 - 4 - 48 |
| 4. RATED POWER | 3.5 KW × 4 P |
| 5. RATED VOLTAGE AND FREQUENCY | 480 V 60HZ |
| 6. MOTOR TYPE | SQUIRREL CAGE ROTOR TYPE |
| 7. RATING | 30 MIN |
| 8. LOCATION | IN-DOOR , OUTDOOR |
| 9. INSULATION CLASS | B |
| 10. DESIGN TEMPERATURE RISE (BY RESISTANCE) | 80℃ |
| 11. FULL LOAD SPEED | 1740 RPM |
| 12. FULL LOAD CURRENT | 7.9 A |
| 13. STARTING CURRENT AT RATED VOLTAGE | 38.5 A |
| 14. MINIMUM STARTING VOLTAGE | 432 V |
| 15. EFFICIENCY AT 100% RATED LOAD | 73.5 % |
| 16. POWER FACTOR AT 100% RATED LOAD | 73.0 % |
| 17. STARTING TORQUE | 247 % |
| 18. TYPE OF ENCLOSURE | 전폐형(IP-54) |
| 19. TYPE OF BEARING | PL : 6205DD OPL : 6008ZZ |
| 20. MOUNTING | VERTICAL |
| 21. MAXIMUM AMBIENT TEMPURE | 40℃ |
| 22. BEARING LUBRICATION | GREASE |
| 23. STARTING METHOD | FULL VOLTAGE |

SCHEDULE OF TECHNICAL DATA

| | |
|---|-----------------------------|
| 1. SERVICE | TRAVERSING |
| 2. MANUFACTURE | LK HOIST CO. LTD |
| 3. MOTOR MODEL NO | 0.75 - 4 - 48 |
| 4. RATED POWER | 0.75 KW × 4 P |
| 5. RATED VOLTAGE AND FREQUENCY | 480 V 60HZ |
| 6. MOTOR TYPE | SQUIRREL CAGE ROTOR TYPE |
| 7. RATING | 15 MIN |
| 8. LOCATION | OUTDOOR |
| 9. INSULATION CLASS | B |
| 10. DESIGN TEMPERATURE RISE (BY RESISTANCE) | 100℃ |
| 11. FULL LOAD SPEED | 1670 RPM |
| 12. FULL LOAD CURRENT | 2.2 A |
| 13. STARTING CURRENT AT RATED VOLTAGE | 12.1 A |
| 14. MINIMUM STARTING VOLTAGE | 432 V |
| 15. EFFICIENCY AT 100% RATED LOAD | 65 % |
| 16. POWER FACTOR AT 100% RATED LOAD | 63 % |
| 17. STARTING TORQUE | 250 % |
| 18. TYPE OF ENCLOSURE | 전폐형 |
| 19. TYPE OF BEARING | PL : 6008DD OPL : 6207ZZ |
| 20. MOUNTING | VERTICAL |
| 21. MAXIMUM AMBIENT TEMPURE | 40℃ |
| 22. BEARING LUBRICATION | GREASE |
| 23. STARTING METHOD | FULL VOLTAGE |

SCHEDULE OF TECHNICAL DATA

| | |
|---|-----------------------------|
| 1. SERVICE | TRAVERSING |
| 2. MANUFACTURE | LK HOIST CO. LTD |
| 3. MOTOR MODEL NO | 0.4 - 6 - 48 |
| 4. RATED POWER | 0.4 KW × 6 P |
| 5. RATED VOLTAGE AND FREQUENCY | 480 V 60HZ |
| 6. ROTOR TYPE | SQUIRREL CAGE ROTOR TYPE |
| 7. RATING | 15 MIN |
| 8. LOCATION | OUTDOOR |
| 9. INSULATION CLASS | B |
| 10. DESIGN TEMPERATURE RISE (BY RESISTANCE) | 100℃ |
| 11. FULL LOAD SPEED | 1140 RPM |
| 12. FULL LOAD CURRENT | 1.47 A |
| 13. STARTING CURRENT AT RATED VOLTAGE | 8.1 A |
| 14. MINIMUM STARTING VOLTAGE | 432 V |
| 15. EFFICIENCY AT 100% RATED LOAD | 65 % |
| 16. POWER FACTOR AT 100% RATED LOAD | 63 % |
| 17. STARTING TORQUE | 249 % |
| 18. TYPE OF ENCLOSURE | 전폐형 |
| 19. TYPE OF BEARING | PL : 6008DD OPL : 6207ZZ |
| 20. MOUNTING | VERTICAL |
| 21. MAXIMUM AMBIENT TEMPERATURE | 40℃ |
| 22. BEARING LUBRICATION | GREASE |
| 23. STARTING METHOD | FULL VOLTAGE |

SCHEDULE OF TECHNICAL DATA

| | |
|---|-----------------------------|
| 1. SERVICE | TRAVERSING |
| 2. MANUFACTURE | LK HOIST CO. LTD |
| 3. MOTOR MODEL NO | 0.75/0.25 - 4/12 - 48 |
| 4. RATED POWER | 0.75/0.25 KW × 4/12 P |
| 5. RATED VOLTAGE AND FREQUENCY | 480 V 60HZ |
| 6. MOTOR TYPE | SQUIRREL CAGE ROTOR TYPE |
| 7. RATING | 15 MIN |
| 8. LOCATION | OUTDOOR |
| 9. INSULATION CLASS | B |
| 10. DESIGN TEMPERATURE RISE (BY RESISTANCE) | 100℃ |
| 11. FULL LOAD SPEED | 1670 / 550 RPM |
| 12. FULL LOAD CURRENT | 2.2 / 1.38 A |
| 13. STARTING CURRENT AT RATED VOLTAGE | 12.1 / 7.6 A |
| 14. MINIMUM STARTING VOLTAGE | 432 V |
| 15. EFFICIENCY AT 100% RATED LOAD | 65 / 48 % |
| 16. POWER FACTOR AT 100% RATED LOAD | 63 / 45 % |
| 17. STARTING TORQUE | 250 / 245 % |
| 18. TYPE OF ENCLOSURE | 전폐형 |
| 19. TYPE OF BEARING | PL : 6008DD OPL : 6207ZZ |
| 20. MOUNTING | VERTICAL |
| 21. MAXIMUM AMBIENT TEMPURE | 40℃ |
| 22. BEARING LUBRICATION | GREASE |
| 23. STARTING METHOD | FULL VOLTAGE |