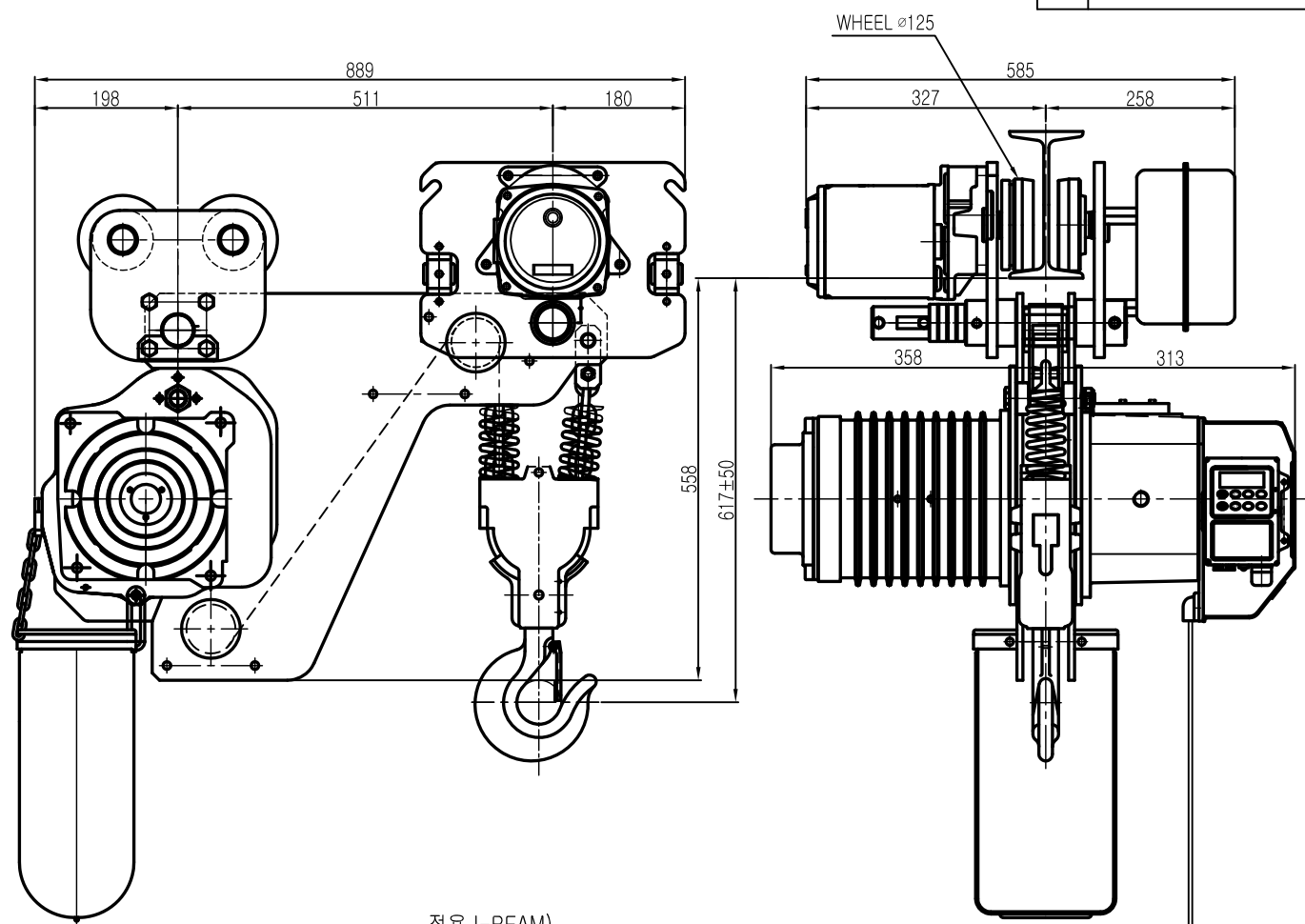


ON 9MD

# L K HOIST

NO	DESCRIPTION	SIZE	MAT' L	Q' TY	WT (kg)	REMARKS



## SPECIFICATION

		LK-SHDAM-3W		
RATED LOAD	(TON)	3.0		
TESTING LOAD	(TON)	3.75		
LIFTING HEIGHT	(M)	50		
HOISTING	SPEED (M/MIN)	5.15		
	MOTOR (KW)	3.5kw x 4p		
TRAVERSING	SPEED (M/MIN)	20	14	20/7
	MOTOR (KW)	0.75kw x 4p	0.4kw x 6p	0.75/0.25kw x 4/12p
POWER SUPPLY	AC220.380.440.460.480Vx3ø x 60 Hz			
OPERATING METHOD	P.B type ON . FL			
LOAD CHAIN	ø9.5 X 28.6 (2FALL)			
WEIGHT	(KG)	485		
I-BEAM 적용폭	100 ~ 190MM			

- 적용 I-BEAM)
- 1) 지점간 거리: I-200X100X7/10 - 2.0M
  - 2) 지점간거리 : I-250X125X7.5/12.5-3.8M
  - 3) 지점간거리 : I-300X150X10/18.5-6.0M
  - 4) 지점간거리 : I-450X175X13/26-11M
  - 5) 지점간거리 : I-600X190X13/25-14M

- NOTE)
- 1)점검 설비를 갖출 것
  - 2)인허가 서류를 완성검사시 제출 할 것

REV.NO	DATE	REVISION	DESCRIPTION	DRAWN	CHECKED	APPROVED

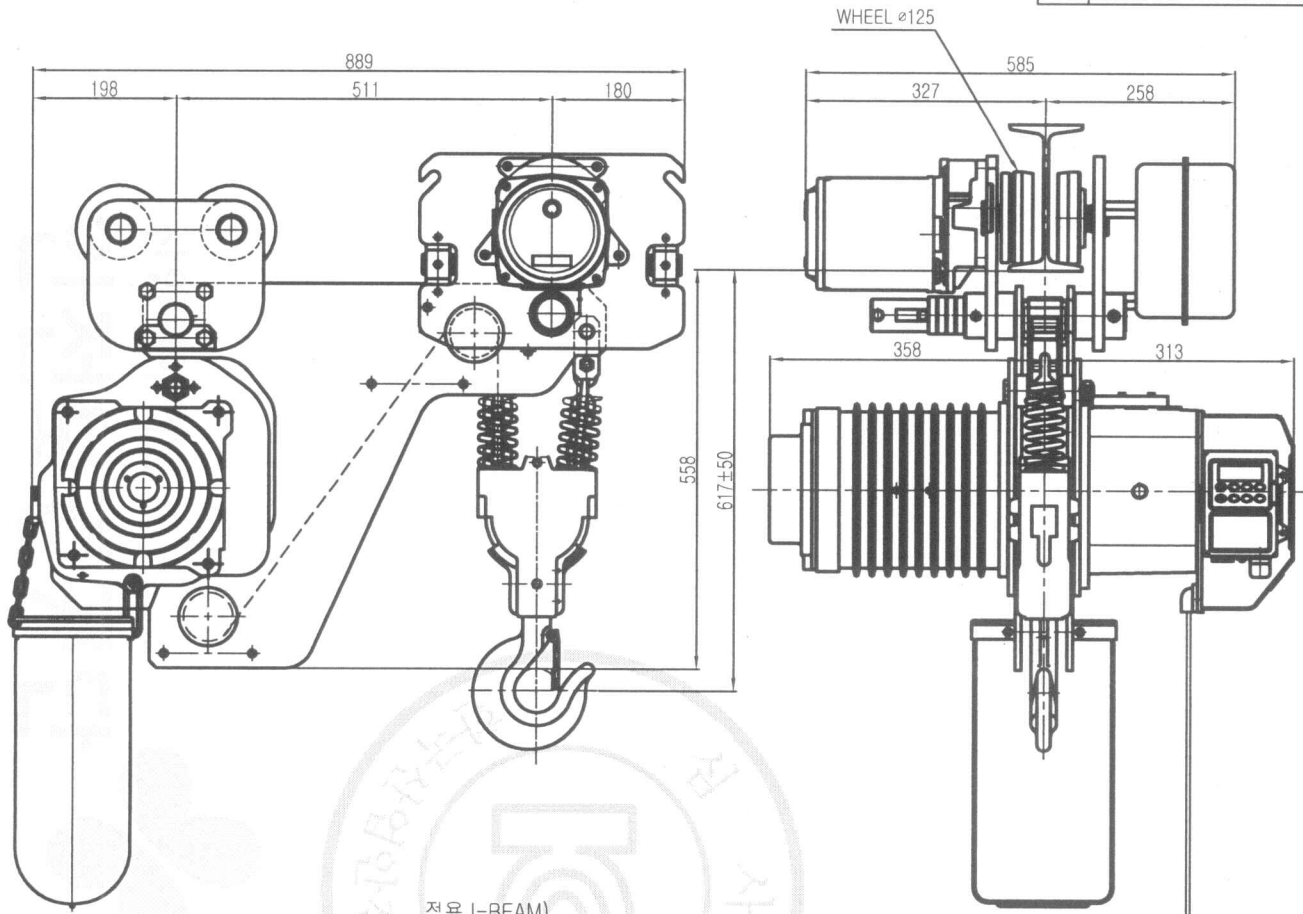
TITLE		ELECTRIC CHAIN HOIST			PROJECTION		
WORK NO		WORK NAME	LK-SHDAM-3W			SCALE	Q' TY
DRAWN					N S	1	
CHECKED		REVIEWED		APPROVED	DRAWING NO		
김 창 기					CORD NO		
2010.08.01							

**LK** L K HOIST CO., LTD.

ON GMD

# L K HOIST

NO	DESCRIPTION	SIZE	MAT L	Q' TY	WT (kg)	REMARKS



## SPECIFICATION

		LK-SHDAM-3W		
RATED LOAD	(TON)	3.0		
TESTING LOAD	(TON)	3.75		
LIFTING HEIGHT	(M)	50		
HOISTING	SPEED (M/MIN)	5.15		
	MOTOR (KW)	3.5kw x 4p		
TRAVERSING	SPEED (M/MIN)	20	14	20/7
	MOTOR (KW)	0.75kw x 4p	0.4kw x 6p	0.75/0.25kw x 4/12p
POWER SUPPLY	AC220.380.440.460.480Vx3ø x 60 Hz			
OPERATING METHOD	P.B type ON . FL			
LOAD CHAIN	ø9.5 X 28.6 (2FALL)			
WEIGHT	(KG)	485		
I-BEAM 적용폭		100 ~ 190MM		

- 적용 I-BEAM)
- 1) 지점간 거리: I-200X100X7/10 - 2.0M
  - 2) 지점간거리 : I-250X125X7.5/12.5-3.8M
  - 3) 지점간거리 : I-300X150X10/18.5-6.0M
  - 4) 지점간거리 : I-450X175X13/26-11M
  - 5) 지점간거리 : I-600X190X13/25-14M

NOTE)  
 1)점검 설비를 갖출 것  
 2)인허가 서류를 완성검사시 제출 할 것

물범북제 및 배포금지

REV.NO	DATE	REVISION	DESCRIPTION	DRAWN	CHECKED	APPROVED

TITLE		PROJECTION	
ELECTRIC CHAIN HOIST			
WORK NO	WORK NAME	SCALE	Q' TY
	LK-SHDAM-3W	N S	1
DRAWN	CHECKED	REVIEWED	APPROVED
	DRAWING NO		
	CORD NO		
김창기			
2010.08.01			

**LK** L K HOIST CO., LTD.