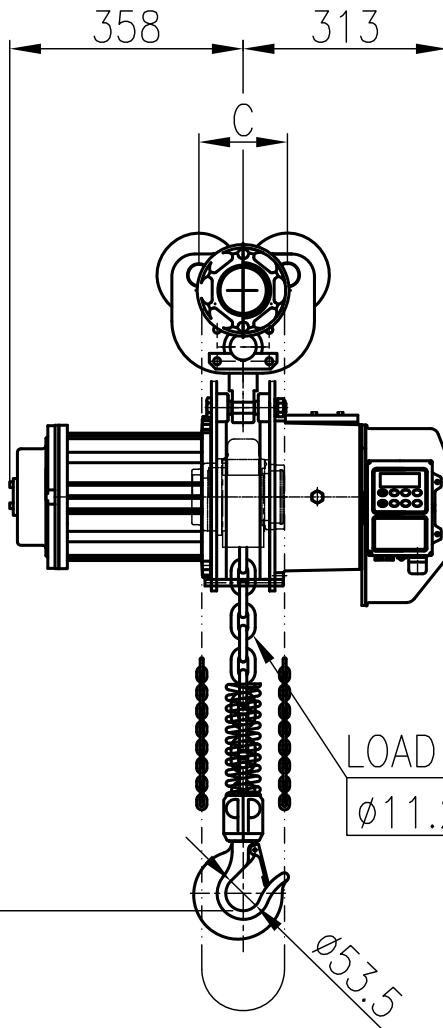
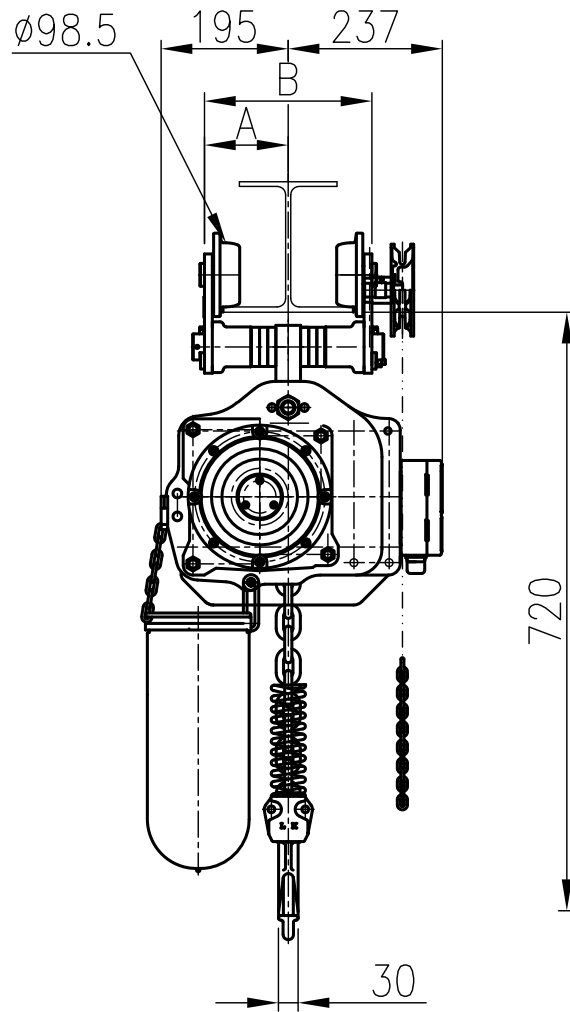


ON 5MG

# L K HOIST

| NO | DESCRIPTION | SIZE | MAT' L | Q' TY | WT (kg) | REMARKS |
|----|-------------|------|--------|-------|---------|---------|
|    |             |      |        |       |         |         |



| SPECIFICATION    |       |                                  |            |
|------------------|-------|----------------------------------|------------|
| RATED LOAD       |       | 1.8                              | TON        |
| TESTING LOAD     |       | 2.25                             | TON        |
| LIFTING HEIGHT   |       | 50                               | M          |
| HOISTING         | SPEED | 8.1                              | M/MIN      |
|                  | MOTOR | 3.5 KW x 1 SET                   |            |
| TRAVERSING       | SPEED | -                                | M/MIN      |
|                  | MOTOR | -                                | KW x 1 SET |
| WEIGHT(KG)       |       | 280KG                            |            |
| POWER SUPPLY     |       | AC220,380,440,460,480Vx 3φx 60Hz |            |
| OPERATING METHOD |       | P.B type ON . FL                 |            |

적용 H-BEAM)

- 1) 지점간거리 : H-150X150X7 / 10 - 3M
- 2) 지점간거리 : H-175X175X7.5 / 11 - 4M
- 3) 지점간거리 : H-200X200X8 / 12 - 5M

NAME PLATE  
KCS 마크 위치

LOAD CHAIN  
φ11.2 X 34

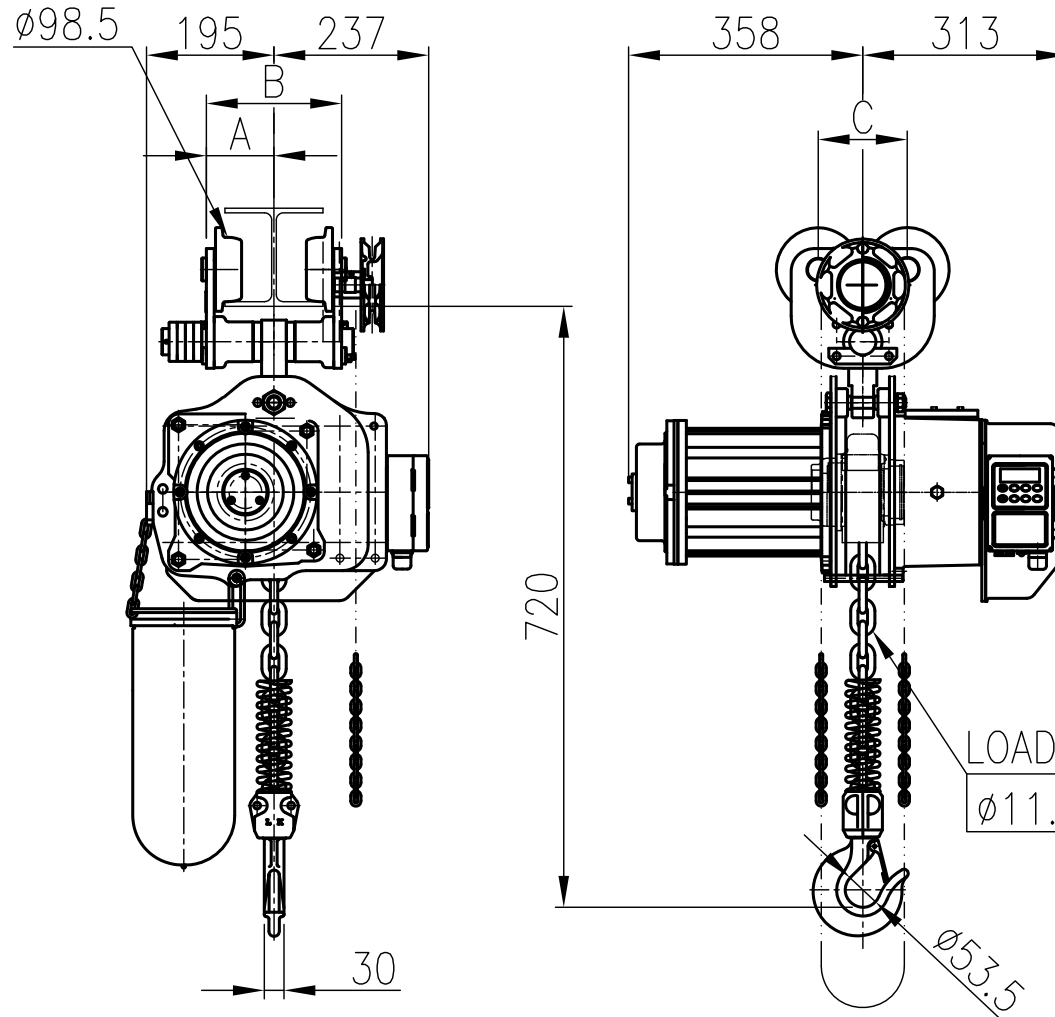
| 적용 H-BEAM 폭 | 150 | 175   | 200 |
|-------------|-----|-------|-----|
| A 치수        | 104 | 116.5 | 129 |
| B 치수        | 208 | 233   | 258 |
| C 치수        | 136 | 136   | 136 |

| TITLE                            |           |          |          |            | PROJECTION |       |
|----------------------------------|-----------|----------|----------|------------|------------|-------|
| LK-DAG-1.8S ELECTRIC CHAIN HOIST |           |          |          |            |            |       |
| WORK NO                          | WORK NAME |          |          |            |            |       |
|                                  |           |          |          |            | SCALE      | Q' TY |
|                                  |           |          |          |            | N/S        | 1     |
| DRAWN                            | CHECKED   | REVIEWED | APPROVED | DRAWING NO |            |       |
| 김 창 기                            |           |          |          |            |            |       |
| 2013.02.07                       |           |          |          | CODE NO    |            |       |
| L K HOIST CO., LTD.              |           |          |          |            |            |       |

ON GMD

# L K HOIST

| NO | DESCRIPTION | SIZE | MAT'L | Q'TY | WT (kg) | REMARKS |
|----|-------------|------|-------|------|---------|---------|
|    |             |      |       |      |         |         |



| SPECIFICATION    |                                  |
|------------------|----------------------------------|
| RATED LOAD       | 1.8 TON                          |
| TESTING LOAD     | 2.25 TON                         |
| LIFTING HEIGHT   | 50 M                             |
| HOISTING         | SPEED 8.1 M/MIN                  |
|                  | MOTOR 3.5 KW x 1 SET             |
| TRAVERSING       | SPEED - M/MIN                    |
|                  | MOTOR - KW x 1 SET               |
| WEIGHT(KG)       | 280KG                            |
| POWER SUPPLY     | AC220,380,440,460,480Vx 3φx 60Hz |
| OPERATING METHOD | P.B type ON . FL                 |

적용 H-BEAM)

- 1) 지점간거리 : H-150X150X7 / 10 - 3M
- 2) 지점간거리 : H-175X175X7.5 / 11 - 4M
- 3) 지점간거리 : H-200X200X8 / 12 - 5M

NAME PLATE  
KCS 마크 위치

LOAD CHAIN  
Ø11.2 X 34

| 적용 H-BEAM 폭 | 150 | 175   | 200 |
|-------------|-----|-------|-----|
| A 치수        | 104 | 116.5 | 129 |
| B 치수        | 208 | 233   | 258 |
| C 치수        | 136 | 136   | 136 |

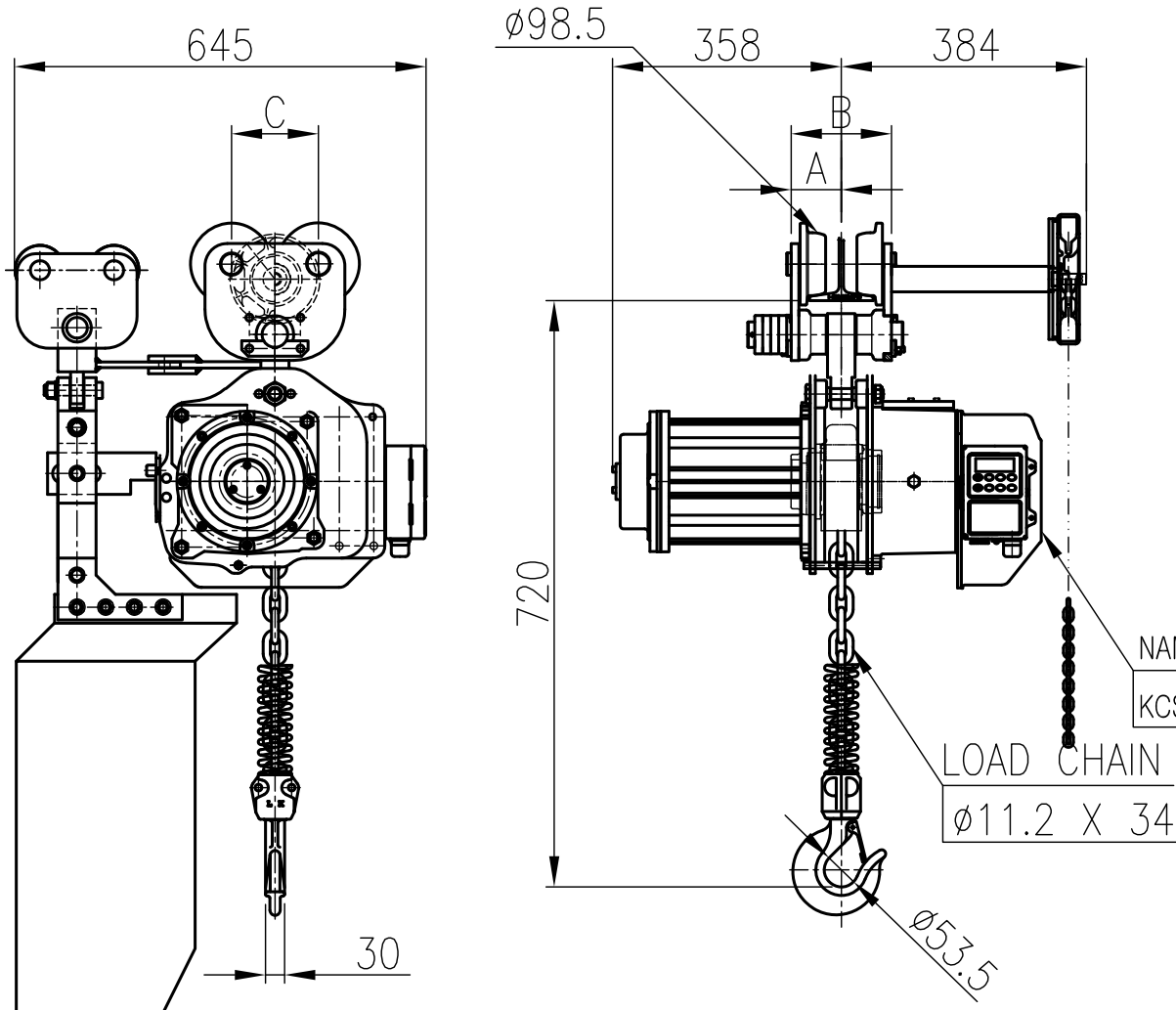
| TITLE                            |           |          |          |            | PROJECTION |       |
|----------------------------------|-----------|----------|----------|------------|------------|-------|
| LK-DAG-1.8S ELECTRIC CHAIN HOIST |           |          |          |            |            |       |
| WORK NO                          | WORK NAME |          |          |            | SCALE      | Q' TY |
|                                  |           |          |          |            | N/S        | 1     |
| DRAWN                            | CHECKED   | REVIEWED | APPROVED | DRAWING NO |            |       |
| 김 창 기                            |           |          |          |            |            |       |
| 2013.02.07                       |           |          |          | CODE NO    |            |       |

**LK** L K HOIST CO., LTD.

ON ㄱMD

# L K HOIST

| NO | DESCRIPTION | SIZE | MAT' L | Q' TY | WT (kg) | REMARKS |
|----|-------------|------|--------|-------|---------|---------|
|    |             |      |        |       |         |         |



| SPECIFICATION    |                                 |
|------------------|---------------------------------|
| RATED LOAD       | 1.8 TON                         |
| TESTING LOAD     | 2.25 TON                        |
| LIFTING HEIGHT   | 50 M                            |
| HOISTING         | SPEED 8.1 M/MIN                 |
|                  | MOTOR 3.5 KW x 1 SET            |
| TRAVERSING       | SPEED - M/MIN                   |
|                  | MOTOR - KW x 1 SET              |
| WEIGHT(KG)       | 280KG                           |
| POWER SUPPLY     | AC220,380,440,460,480Vx 3øx60Hz |
| OPERATING METHOD | P.B type ON . FL                |

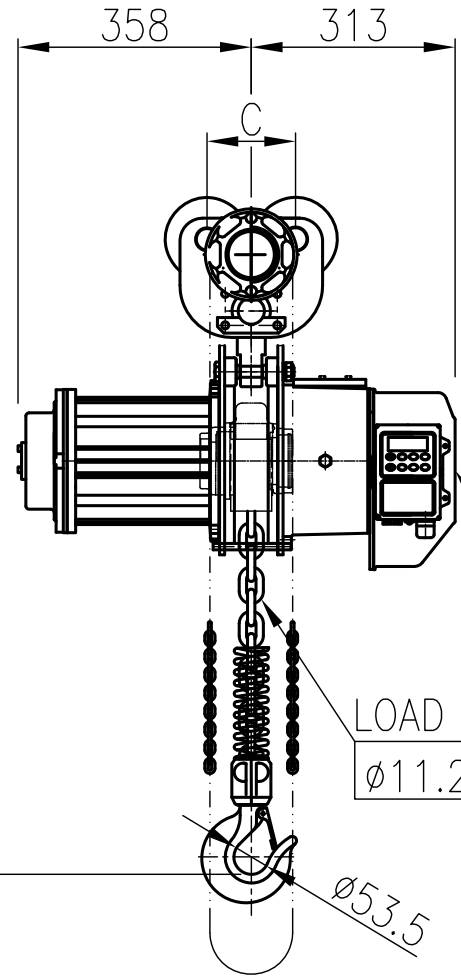
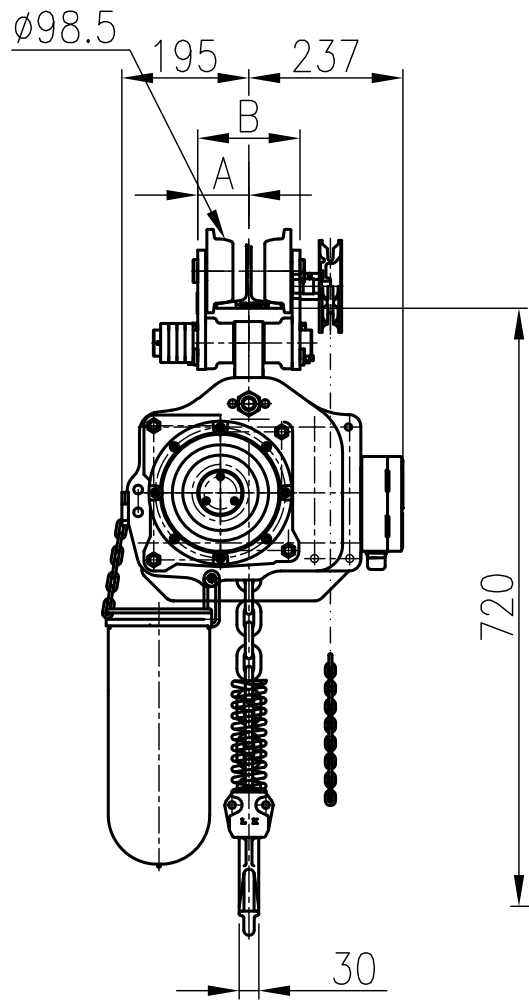
- 적용 I-BEAM)
- 1) 지점간거리 : I-200X100X7/10 - 3.0M
  - 2) 지점간거리 : I-250X125X7.5/12.5-5.0M
  - 3) 지점간거리 : I-300X150X10/18.5-7.5M
  - 4) 지점간거리 : I-450X175X13/26 -12M
  - 5) 지점간거리 : I-600X190X13/25 -15M

| 적용 I-BEAM 폭 | 100 | 125  | 150 | 175   | 190 |
|-------------|-----|------|-----|-------|-----|
| A 치수        | 79  | 91.5 | 104 | 116.5 | 129 |
| B 치수        | 158 | 183  | 208 | 233   | 258 |
| C 치수        | 136 | 136  | 136 | 136   | 136 |

|  |           |          |          |                |       |
|--|-----------|----------|----------|----------------|-------|
| TITLE<br><b>LK-DAG-1.8S ELECTRIC CHAIN HOIST</b> |           |          |          | PROJECTION<br> |       |
| WORK NO  | WORK NAME |          |          | SCALE          | Q' TY |
|  |           |          |          | N/S            | 1     |
| DRAWN  | CHECKED   | REVIEWED | APPROVED | DRAWING NO     |       |
| 김 창 기  |           |          |          |                |       |
| 2013.02.08                                       |           |          |          | CODE NO        |       |
| <b>L K HOIST CO., LTD.</b>                       |           |          |          |                |       |

ON 5MG

# L K HOIST



| NO | DESCRIPTION | SIZE | MAT'L | Q'TY | WT (kg) | REMARKS |
|----|-------------|------|-------|------|---------|---------|
|----|-------------|------|-------|------|---------|---------|

| SPECIFICATION    |                                  |                |
|------------------|----------------------------------|----------------|
| RATED LOAD       | 1.8 TON                          |                |
| TESTING LOAD     | 2.25 TON                         |                |
| LIFTING HEIGHT   | 50 M                             |                |
| HOISTING         | SPEED                            | 8.1 M/MIN      |
|                  | MOTOR                            | 3.5 KW x 1 SET |
| TRAVERSING       | SPEED                            | - M/MIN        |
|                  | MOTOR                            | - KW x 1 SET   |
| WEIGHT(KG)       | 280KG                            |                |
| POWER SUPPLY     | AC220,380,440,460,480Vx 3øx 60Hz |                |
| OPERATING METHOD | P.B type ON . FL                 |                |

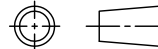

NAME PLATE  
KCS 마크 위치

LOAD CHAIN  
ø11.2 X 34

적용 I-BEAM)

- 1) 지점간거리 : I-200X100X7/10 - 3.0M
- 2) 지점간거리 : I-250X125X7.5/12.5-5.0M
- 3) 지점간거리 : I-300X150X10/18.5-7.5M
- 4) 지점간거리 : I-450X175X13/26 -12M
- 5) 지점간거리 : I-600X190X13/25 -15M

| 적용 I-BEAM 폭 | 100 | 125  | 150 | 175   | 190 |
|-------------|-----|------|-----|-------|-----|
| A 치수        | 79  | 91.5 | 104 | 116.5 | 124 |
| B 치수        | 158 | 183  | 208 | 233   | 248 |
| C 치수        | 136 | 136  | 136 | 136   | 136 |

|  |           |          |          |   |      |
|--|-----------|----------|----------|---|------|
| TITLE<br><b>LK-DAG-1.8S ELECTRIC CHAIN HOIST</b>   |           |          |          | PROJECTION<br> |      |
| WORK NO  | WORK NAME |          |          | SCALE   | Q'TY |
|  |           |          |          | N/S   | 1    |
| DRAWN  | CHECKED   | REVIEWED | APPROVED | DRAWING NO  |      |
| 김 창 기  |           |          |          |   |      |
| 2013.02.07   |           |          |          | CODE NO   |      |
|  <b>L K HOIST CO., LTD.</b> |           |          |          |   |      |