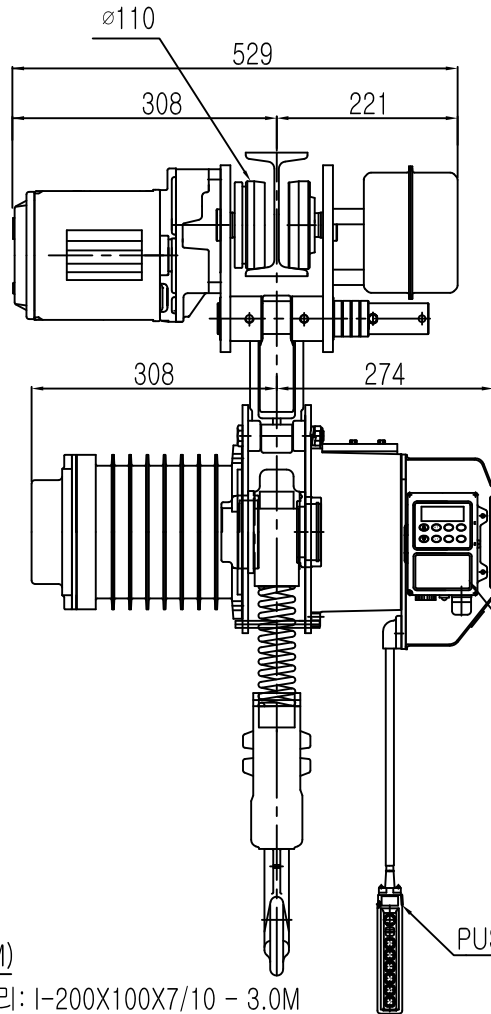
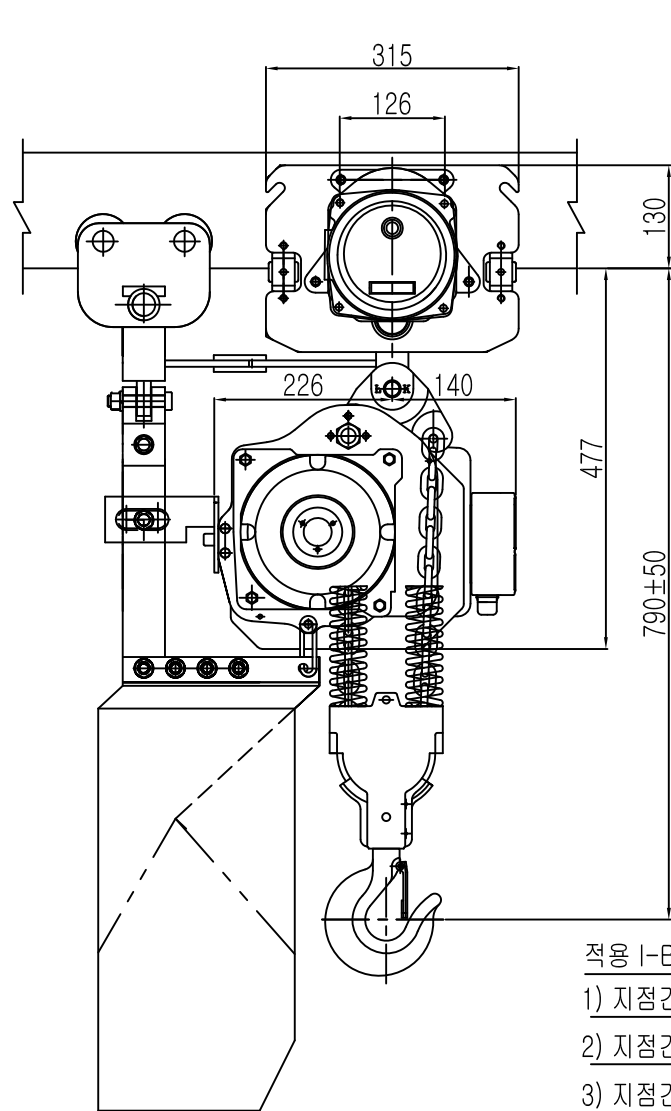


L K HOIST

NO	DESCRIPTION	SIZE	MAT' L	Q' TY	WT (kg)	REMARKS
----	-------------	------	--------	-------	---------	---------



SPECIFICATION

		LK-DAM-1.9W		
RATED LOAD	(TON)	1.9		
TESTING LOAD	(TON)	2.375		
LIFTING HEIGHT	(M)	50		
HOISTING	SPEED (M/MIN)	4.1		
	MOTOR (KW)	1.8kw x 4p		
TRAVERSING	SPEED (M/MIN)	21	14	21/7
	MOTOR (KW)	0.75kw x 4p	0.4kw x 6p	0.75/0.25kw x 4/12p
POWER SUPPLY	AC220.380.440.460,480Vx3φ x 60 Hz			
OPERATING METHOD	P.B type ON . FL			
LOAD CHAIN	φ7.1 X 21(2FALL)			
WEIGHT	(KG)	235KG		
I-BEAM 적용폭	100 ~ 190MM			

NOTE)

- 1) 점검 설비를 갖출 것
- 2) 인허가 서류를 완성검사시 제출 할 것

적용 I-BEAM)

- 1) 지점간 거리: I-200X100X7/10 - 3.0M
- 2) 지점간거리 : I-250X125X7.5/12.5-5.0M
- 3) 지점간거리 : I-300X150X10/18.5-7.5M
- 4) 지점간거리 : I-450X175X13/26-12M
- 5) 지점간거리 : I-600X190X13/25-15M

TITLE		PROJECTION	
ELECTRIC CHAIN HOIST DAM-1.9W			
WORK NO	WORK NAME	SCALE	Q' TY
	LK-DAM-1.9W		1
DRAWN	CHECKED	REVIEWED	APPROVED
김창기			
2010.08.01			
DRAWING NO		CODE NO	

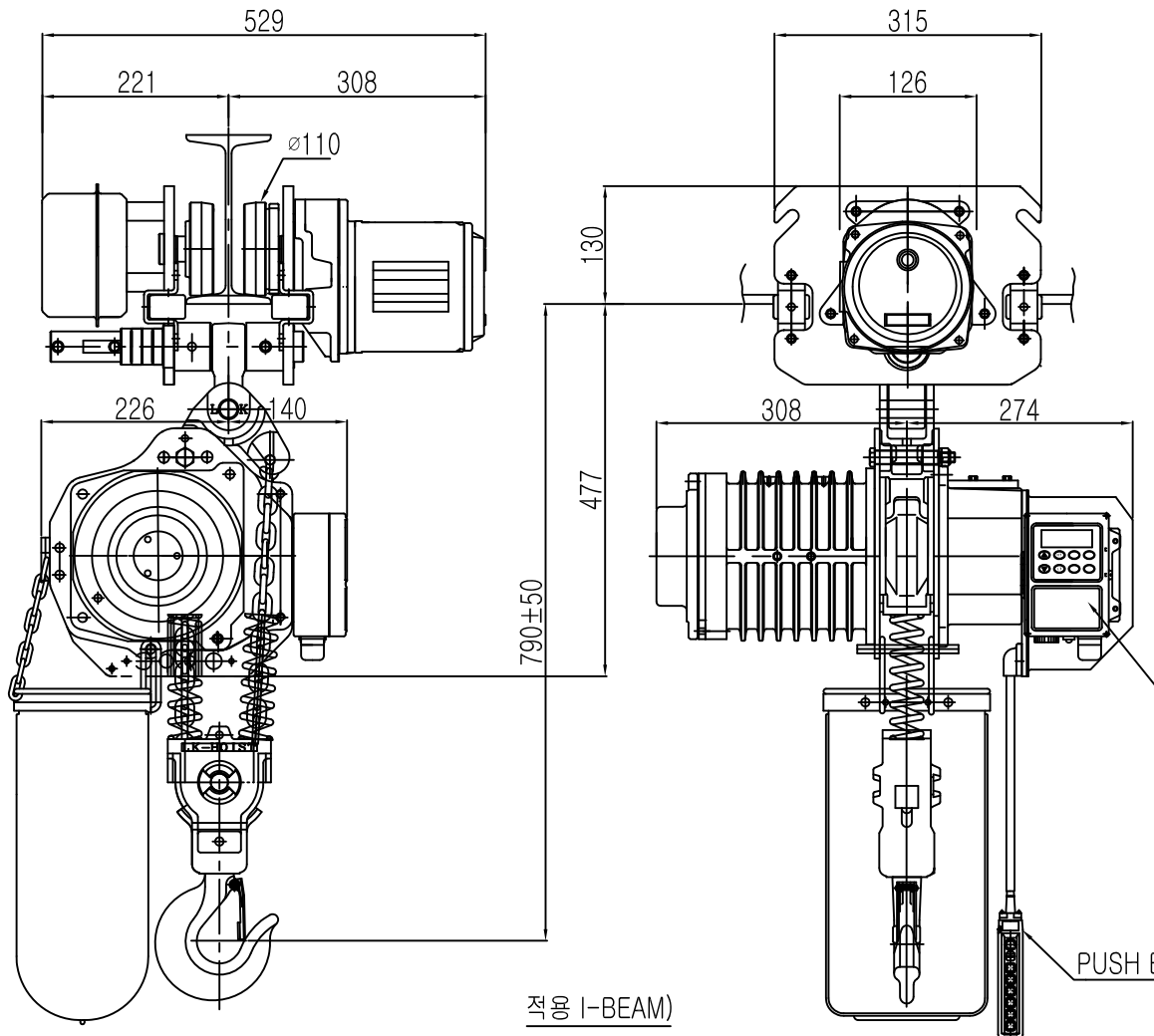


L K HOIST CO., LTD.

REV. NO	DATE	REVISION	DESCRIPTION	DRAWN	CHECKED	APPROVED
---------	------	----------	-------------	-------	---------	----------

L K HOIST

NO	DESCRIPTION	SIZE	MAT'L	Q'TY	WT (kg)	REMARKS



SPECIFICATION

		LK-DAM-1.9W		
RATED LOAD (TON)		1.9		
TESTING LOAD (TON)		2.375		
LIFTING HEIGHT (M)		50		
HOISTING	SPEED (M/MIN)	4.1		
	MOTOR (KW)	1.8kw x 4p		
TRAVERSING	SPEED (M/MIN)	21	14	21/7
	MOTOR (KW)	0.75kw x 4p	0.4kw x 6p	0.75/0.25kw x 4/12p
POWER SUPPLY	AC220.380.440.460.480Vx3φ x 60 Hz			
OPERATING METHOD	P.B type ON . FL			
LOAD CHAIN	ø7.1 X 21(2FALL)			
WEIGHT (KG)	235KG			
I-BEAM 적용폭	100 ~ 190MM			

LOAD LIMITER

PUSH BUTTON S/W

NOTE

- 1) 점검 설비를 갖출 것
- 2) 인허가 서류를 완성검사시 제출 할 것

적용 I-BEAM)

- 1) 지점간 거리 : I-200X100X7/10 - 3.0M
- 2) 지점간거리 : I-250X125X7.5/12.5-5.0M
- 3) 지점간거리 : I-300X150X10/18.5-7.5M
- 4) 지점간거리 : I-450X175X13/26-12M
- 5) 지점간거리 : I-600X190X13/25-15M

TITLE		ELECTRIC CHAIN HOIST			PROJECTION	
WORK NO		WORK NAME	LK-DAM-1.9W		SCALE	Q' TY
					N/S	1
DRAWN	CHECKED	REVIEWED	APPROVED	DRAWING NO		
김창기				CODE NO		
2010.08.01						

REV.NO	DATE	REVISION	DESCRIPTION	DRAWN	CHECKED	APPROVED

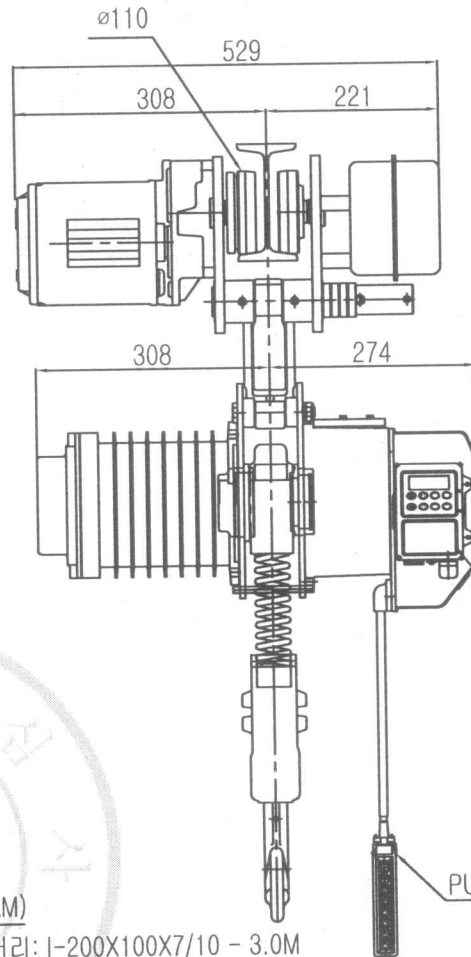
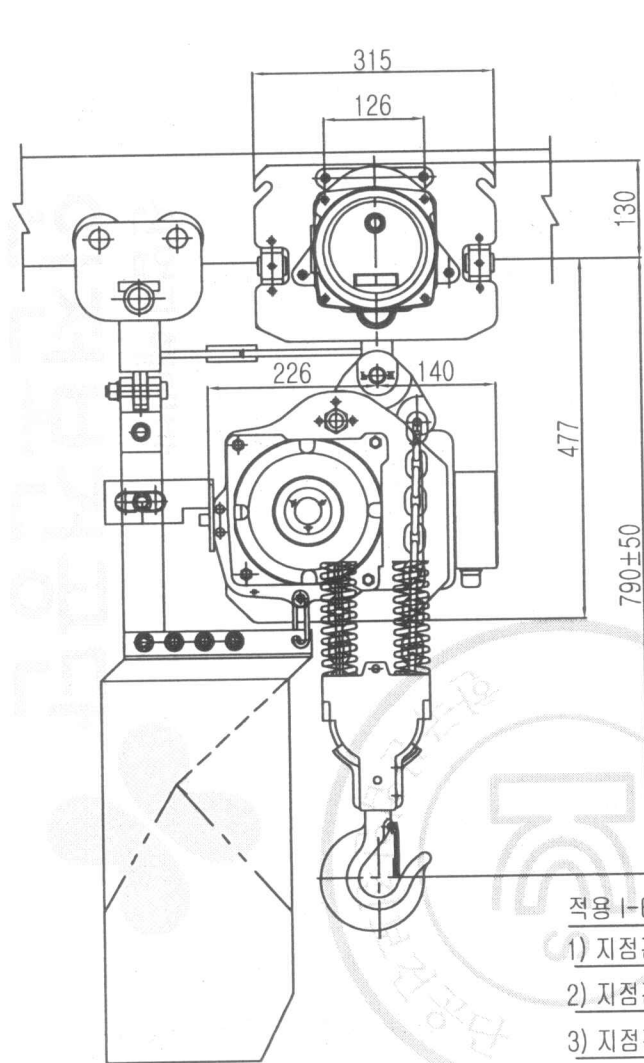
LK L K HOIST CO., LTD.

L K HOIST

NO	DESCRIPTION	SIZE	MAT'L	Q'TY	WT (kg)	REMARKS

SPECIFICATION

		LK-DAM-1.9W		
RATED LOAD	(TON)	1.9		
TESTING LOAD	(TON)	2.375		
LIFTING HEIGHT	(M)	50		
HOISTING	SPEED (M/MIN)	4.1		
	MOTOR (KW)	1.8kw x 4p		
TRAVERSING	SPEED (M/MIN)	21	14	21/7
	MOTOR (KW)	0.75kw x 4p	0.4kw x 6p	0.75/0.25kw x 4/12p
POWER SUPPLY	AC220.380.440.460,480Vx3φ x 60 Hz			
OPERATING METHOD	P.B type ON . FL			
LOAD CHAIN	φ7.1 X 21(2FALL)			
WEIGHT	(KG)	235KG		
I-BEAM 적용폭		100 ~ 190MM		



적용 I-BEAM)

- 1) 지점간 거리: I-200X100X7/10 - 3.0M
- 2) 지점간거리 : I-250X125X7.5/12.5-5.0M
- 3) 지점간거리: I-300X150X10/18.5-7.5M
- 4) 지점간거리 : I-450X175X13/26-12M
- 5) 지점간거리 : I-600X190X13/25-15M

NOTE)

- 1) 점검 설비를 갖출 것
- 2) 인허가 서류를 완성검사시 제출 할 것

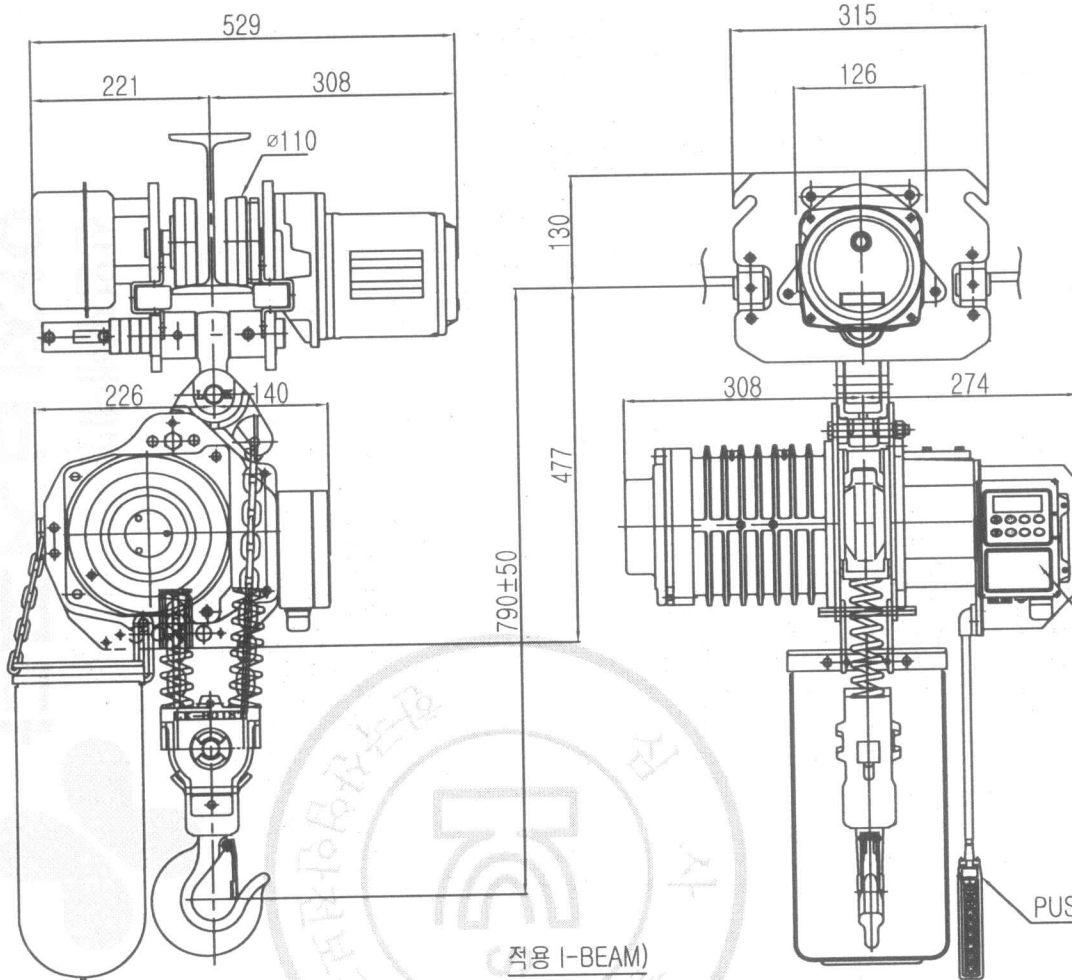
TITLE					PROJECTION	
ELECTRIC CHAIN HOIST DAM-1.9W						
WORK NO	WORK NAME				SCALE	Q'TY
	LK-DAM-1.9W					1
DRAWN	CHECKED	REVIEWED	APPROVED	DRAWING NO		
김창기				CODE NO		
2010.08.01						

LK L K HOIST CO., LTD.

REV.NO	DATE	REVISION	DESCRIPTION	DRAWN	CHECKED	APPROVED

L K HOIST

NO	DESCRIPTION	SIZE	MAT' L	Q' TY	WT (kg)	REMARKS



SPECIFICATION

		LK-DAM-1.9W		
RATED LOAD (TON)		1.9		
TESTING LOAD (TON)		2.375		
LIFTING HEIGHT (M)		50		
HOISTING	SPEED (M/MIN)	4.1		
	MOTOR (KW)	1.8kw x 4p		
TRAVERSING	SPEED (M/MIN)	21	14	21/7
	MOTOR (KW)	0.75kw x 4p	0.4kw x 6p	0.75/0.25kw x 4/12p
POWER SUPPLY		AC220.380.440.460.480Vx3ø x 60 Hz		
OPERATING METHOD		P.B type ON . FL		
LOAD CHAIN		ø7.1 X 21(2FALL)		
WEIGHT (KG)		235KG		
I-BEAM 적용폭		100 ~ 190MM		

LOAD LIMITER

PUSH BUTTON S/W

NOTE)

- 1)점검 설비를 갖출 것
- 2)인허가 서류를 완성검사시 제출 할 것

적용 I-BEAM)

- 1) 지점간 거리: I-200X100X7/10 - 3.0M
- 2) 지점간거리 : I-250X125X7.5/12.5-5.0M
- 3) 지점간거리 : I-300X150X10/18.5-7.5M
- 4) 지점간거리 : I-450X175X13/26-12M
- 5) 지점간거리 : I-600X190X13/25-15M

REV.NO	DATE	REVISION	DESCRIPTION	DRAWN	CHECKED	APPROVED

TITLE					PROJECTION	
ELECTRIC CHAIN HOIST						
WORK NO	WORK NAME		SCALE	Q' TY		
	LK-DAM-1.9W		N/S	1		
DRAWN	CHECKED	REVIEWED	APPROVED	DRAWING NO	CODE NO	
김창기						
2010.08.01						
L K HOIST CO., LTD.						

물범복제 및 배포금지