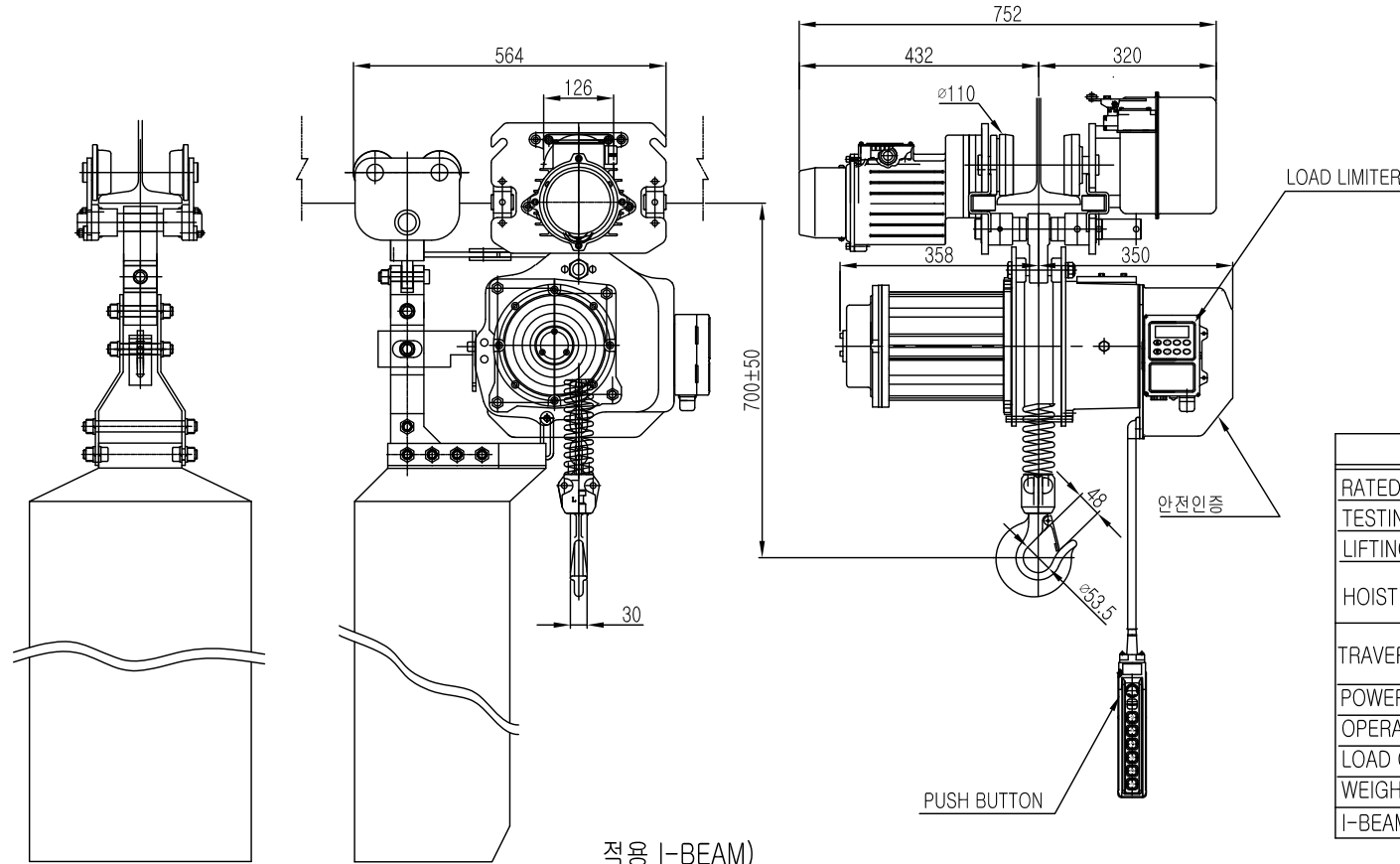


L K HOIST

NO	DESCRIPTION	MAT' L	Q' TY	WT (kg)	REMARKS



SPECIFICATION

		LK-EDAM-1.5s	
RATED LOAD	(TON)	1.5	
TESTING LOAD	(TON)	1.875	
LIFTING HEIGHT	(M)	50	
HOISTING	SPEED (M/MIN)	10.3	
	MOTOR (KW)	3.5kw x 4p	
TRAVERSING	SPEED (M/MIN)	20	14
	MOTOR (KW)	0.75kw x 4p	0.4kw x 6p
POWER SUPPLY		AC220.380.440.460.480Vx3φ x 60 Hz	
OPERATING METHOD		P.B type ON . FL	
LOAD CHAIN		φ9.5 X 28.6(1FALL)	
WEIGHT	(KG)	260KG	
I-BEAM 적용폭		100 ~ 190MM	

적용 I-BEAM)

- 1) 지점간 거리: I-200X100X7/10 - 3.5M
- 2) 지점간거리 : I-250X125X7.5/12.5-5.5M
- 3) 지점간거리 : I-300X150X10/18.5-8.5M
- 4) 지점간거리 : I-450X175X13/26-12M
- 5) 지점간거리 : I-600X190X13/25-15M

TITLE					PROJECTION	
ELECTRIC CHAIN HOIST LK-EDAM-1.5S						
WORK NO	WORK NAME				SCALE	Q' TY
4	LK-EDAM-1.5S				1/1	1
DRAWN	CHECKED	REVIEWED	APPROVED	DRAWING NO		
김창기						
2013.10.28				CODE NO		

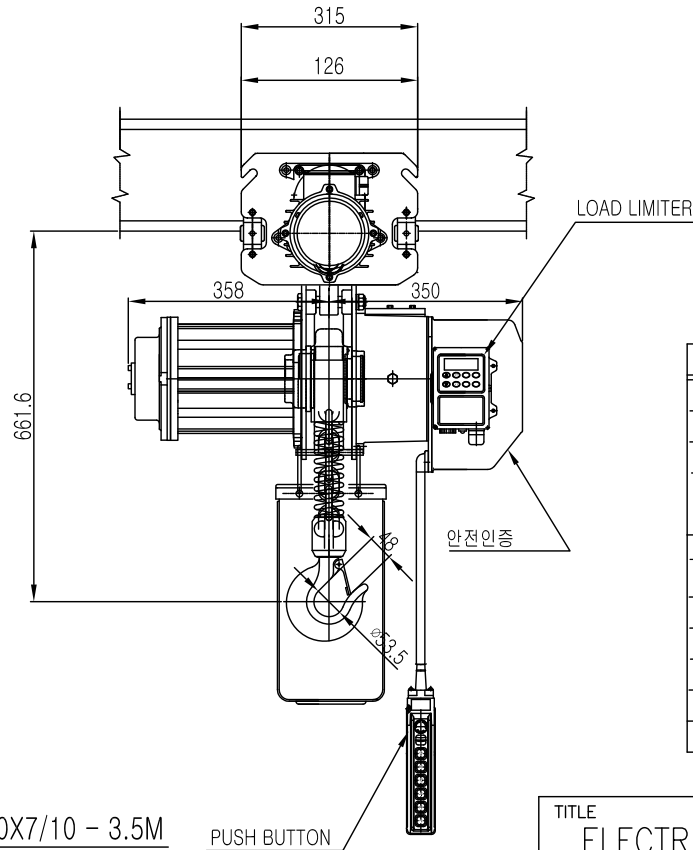
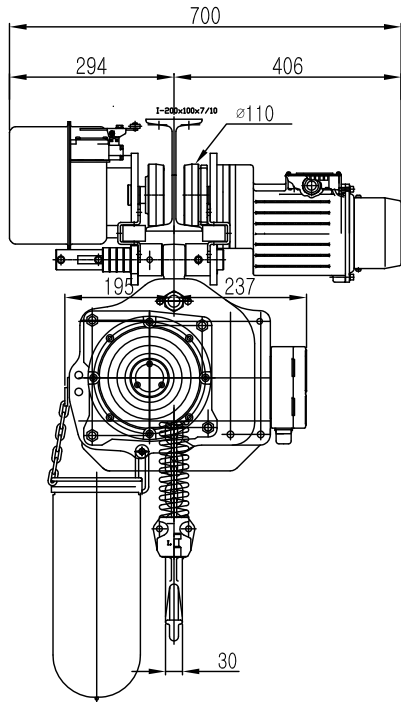
REV.NO	DATE	REVISION	DESCRIPTION	DRAWN	CHECKED	APPROVED



L K HOIST CO., LTD.

L K HOIST

NO	DESCRIPTION	MAT' L	Q' TY	WT (kg)	REMARKS



SPECIFICATION

		LK-EDAM-1.5s	
RATED LOAD	(TON)	1.5	
TESTING LOAD	(TON)	1.875	
LIFTING HEIGHT	(M)	50	
HOISTING	SPEED (M/MIN)	10.3	
	MOTOR (KW)	3.5kw x 4p	
TRAVERSING	SPEED (M/MIN)	20	14
	MOTOR (KW)	0.75kw x 4p	0.4kw x 6p
POWER SUPPLY	AC220.380.440.460.480Vx3 ϕ x 60 Hz		
OPERATING METHOD	P.B type ON . FL		
LOAD CHAIN	$\phi 9.5$ X 28.6(1FALL)		
WEIGHT	(KG)	260KG	
I-BEAM 적용폭	100 ~ 190MM		

적용 I-BEAM)

- 1) 지점간 거리: I-200X100X7/10 - 3.5M
- 2) 지점간거리 : I-250X125X7.5/12.5-5.5M
- 3) 지점간거리 : I-300X150X10/18.5-8.5M
- 4) 지점간거리 : I-450X175X13/26-12M
- 5) 지점간거리 : I-600X190X13/25-15M

PUSH BUTTON

TITLE				PROJECTION	
ELECTRIC CHAIN HOIST LK-EDAM-1.5S					
WORK NO	WORK NAME			SCALE	Q' TY
4	LK-EDAM-1.5S			1/1	1
DRAWN	CHECKED	REVIEWED	APPROVED	DRAWING NO	
김창기				CODE NO	
2013.10.28					

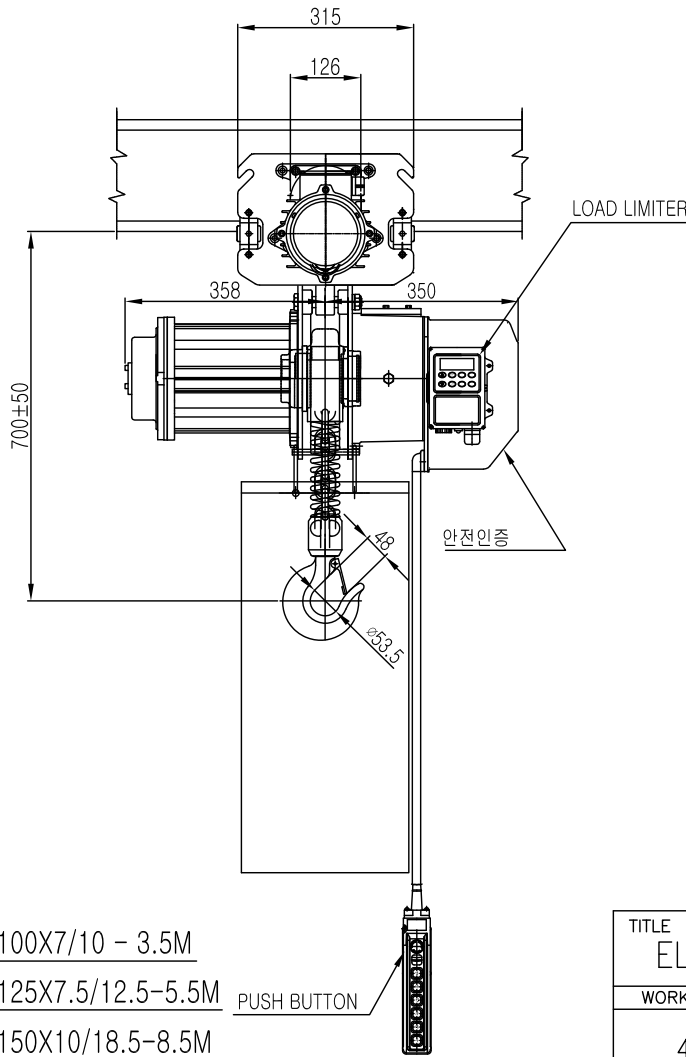
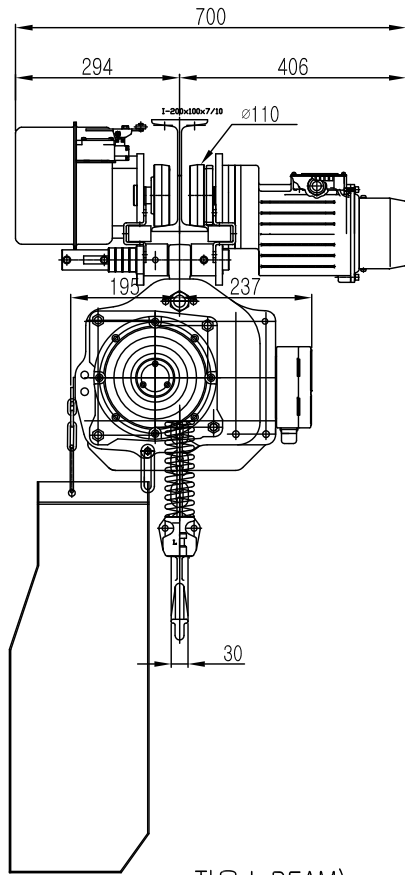
REV.NO	DATE	REVISION	DESCRIPTION	DRAWN	CHECKED	APPROVED



L K HOIST CO., LTD.

L K HOIST

NO	DESCRIPTION	MAT' L	Q' TY	WT (kg)	REMARKS



SPECIFICATION

		LK-EDAM-1.5s
RATED LOAD	(TON)	1.5
TESTING LOAD	(TON)	1.875
LIFTING HEIGHT	(M)	50
HOISTING	SPEED (M/MIN)	10.3
	MOTOR (KW)	3.5kw x 4p
TRAVERSING	SPEED (M/MIN)	20 14
	MOTOR (KW)	0.75kw x 4p 0.4kw x 6p
POWER SUPPLY	AC220.380.440.460.480Vx3φ x 60 Hz	
OPERATING METHOD	P.B type ON . FL	
LOAD CHAIN	φ9.5 X 28.6(1FALL)	
WEIGHT	(KG)	260KG
I-BEAM 적용폭	100 ~ 190MM	

적용 I-BEAM)

- 1) 지점간 거리: I-200X100X7/10 - 3.5M
- 2) 지점간거리 : I-250X125X7.5/12.5-5.5M
- 3) 지점간거리 : I-300X150X10/18.5-8.5M
- 4) 지점간거리 : I-450X175X13/26-12M
- 5) 지점간거리 : I-600X190X13/25-15M

PUSH BUTTON

TITLE		PROJECTION	
ELECTRIC CHAIN HOIST LK-EDAM-1.5S			
WORK NO	WORK NAME	SCALE	Q' TY
4	LK-EDAM-1.5S	1/1	1
DRAWN	CHECKED	REVIEWED	APPROVED
김창기			
2013.10.28			
DRAWING NO		CODE NO	



REV.NO	DATE	REVISION	DESCRIPTION	DRAWN	CHECKED	APPROVED