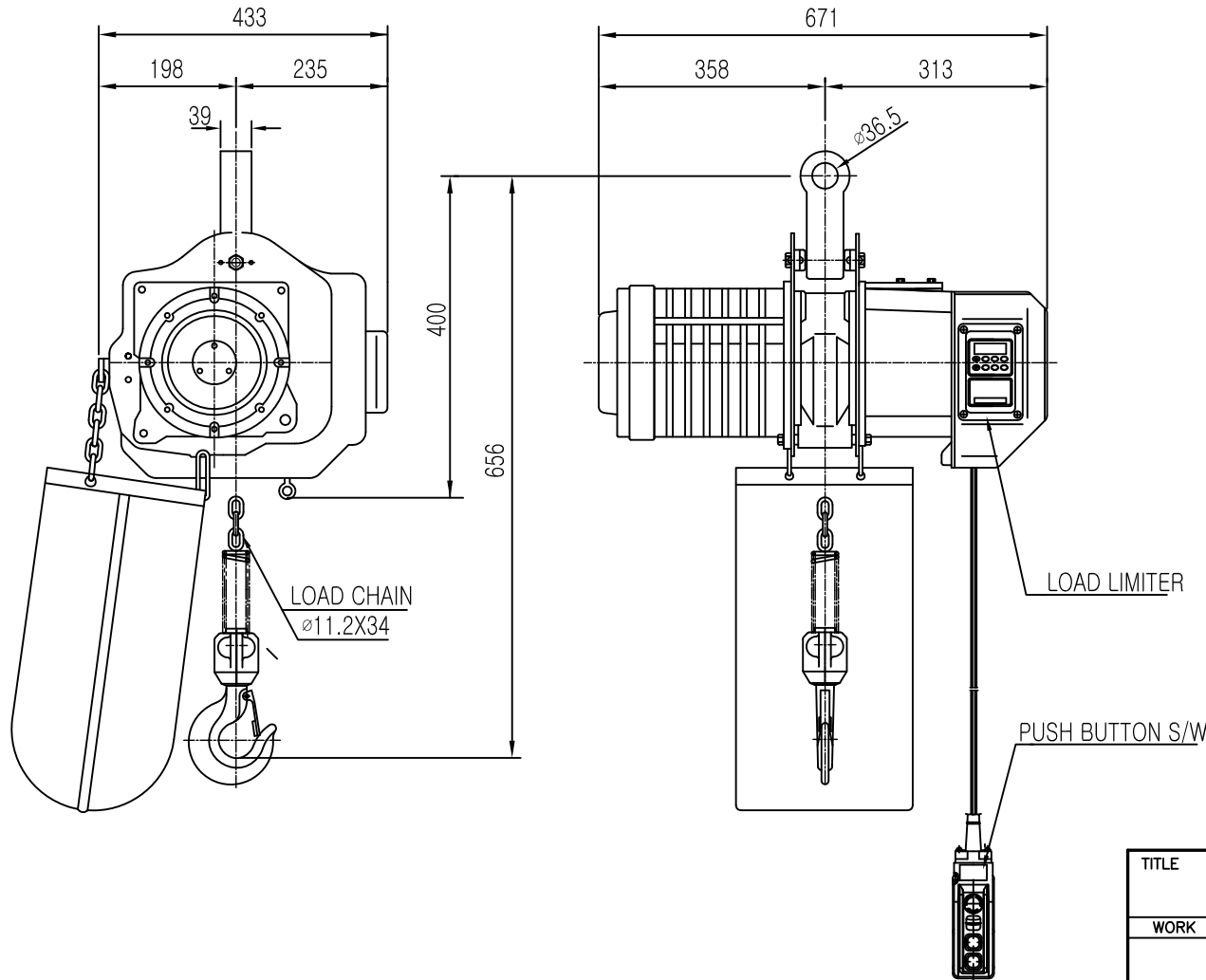


L K HOIST

ON GMD

NO	DESCRIPTION	SIZE	MAT' L	Q' TY	WT (kg)	REMARKS



SPECIFICATION	
RATED LOAD	1.9 TON
TESTING LOAD	2.375 TON
LIFTING HEIGHT	50 M
HOISTING	SPEED 8.1 M/MIN
	MOTOR 3.5 KW x 1 SET
TRAVERSING	SPEED - M/MIN
	MOTOR - KW x - SET
POWER SUPPLY	AC220,380,440,460,480 V x 3 ϕ x60Hz
OPERATING METHOD	P.B type ON . FL
LOAD CHAIN	$\phi 11.2 \times 34$ (1 FALL)
WIEGHT	250 KG

NOTE)

- 1) 점검 설비를 갖출것.
- 2) 인허가 서류를 완성검사시 제출할것.

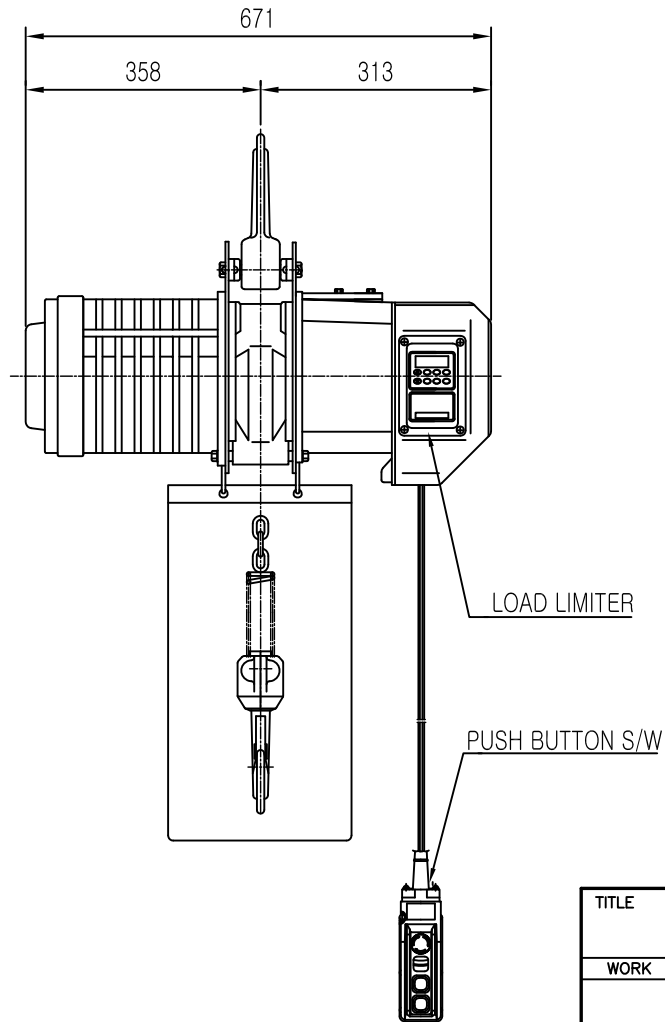
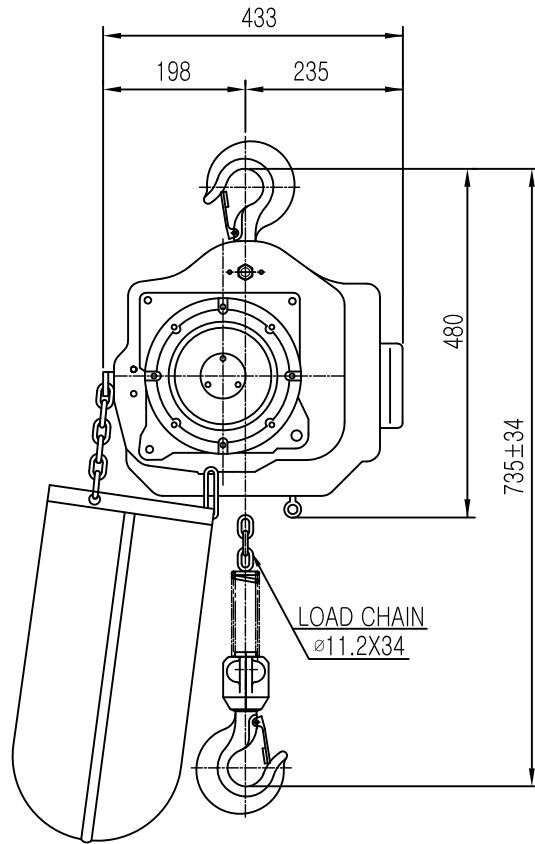
REV.NO	DATE	REVISION	DESCRIPTION	DRAWN	CHECKED	APPROVED

TITLE					PROJECTION	
DA-1.9S ELECTRIC CHAIN HOIST						
WORK NO	WORK NAME				SCALE	Q' TY
	CONNECTOR TYPE				N S	1
DRAWN	CHECKED	REVIEWED	APPROVED	DRAWING NO		
김 창 기						
2010.07.27						

L K HOIST

ON 9MG

NO	DESCRIPTION	SIZE	MAT' L	Q' TY	WT (kg)	REMARKS



SPECIFICATION		
RATED LOAD	1.9	TON
TESTING LOAD	2.375	TON
LIFTING HEIGHT	50	M
HOISTING	SPEED	8.1 M/MIN
	MOTOR	3.5 KW x 1 SET
TRAVERSING	SPEED	- M/MIN
	MOTOR	- KW x - SET
POWER SUPPLY	AC220,380,440,460,480 V x 3øx60Hz	
OPERATING METHOD	P.B type ON . FL	
LOAD CHAIN	ø11.2 x 34 (1 FALL)	
WIEGHT	250 KG	

NOTE)

- 1) 점검 설비를 갖출것.
- 2) 인허가 서류를 완성검사시 제출할것.

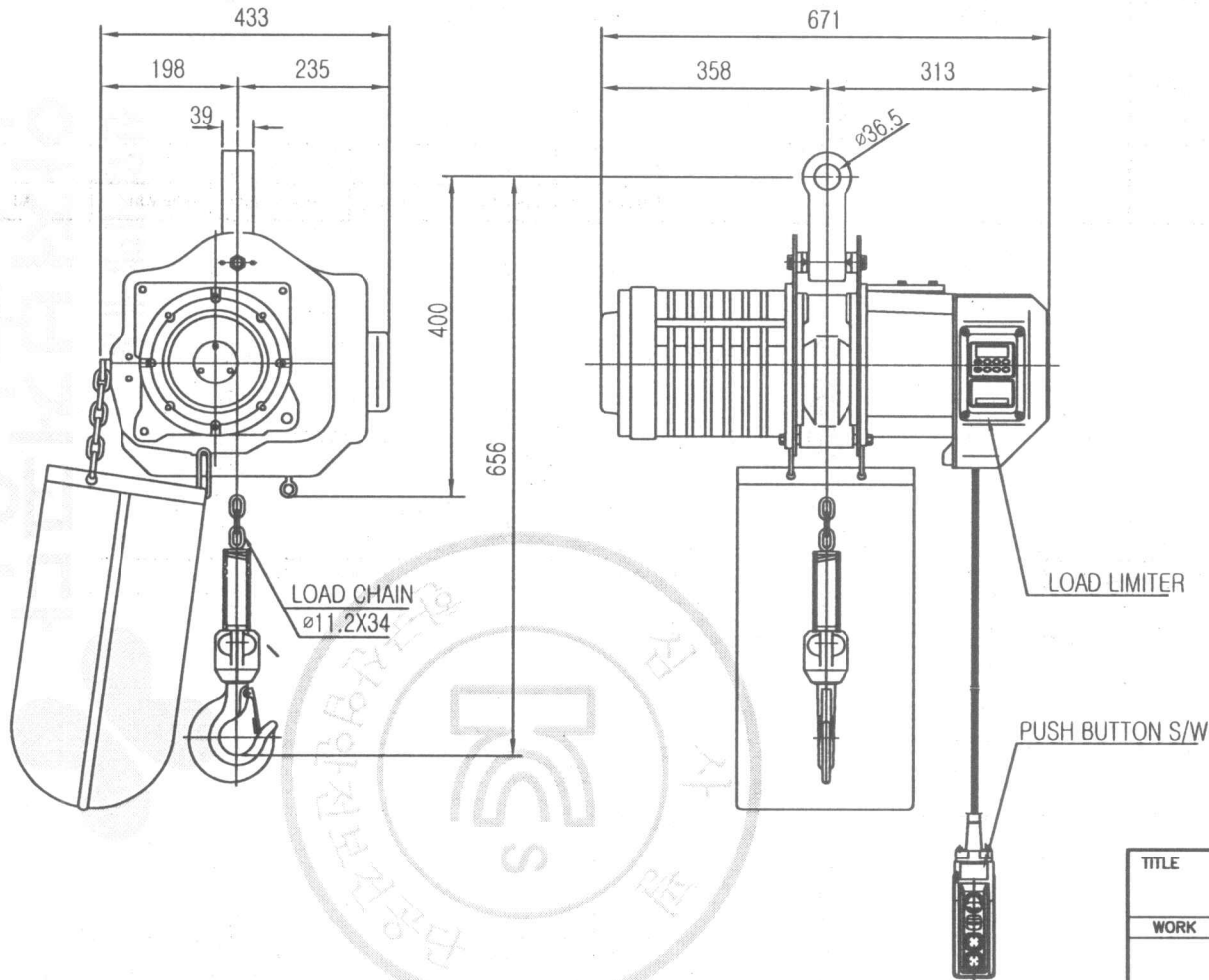
REV.NO	DATE	REVISION	DESCRIPTION	DRAWN	CHECKED	APPROVED

TITLE				PROJECTION		
DA-1.9S ELECTRIC CHAIN HOIST						
WORK NO	WORK NAME			SCALE	Q' TY	
	HOOK TYPE			N S	1	
DRAWN	CHECKED	REVIEWED	APPROVED	DRAWING NO		
김 창 기						
2010.07.27						
L K HOIST CO., LTD.						

L K HOIST

ON ㉸MD

NO	DESCRIPTION	SIZE	MAT L	Q' TY	WT (kg)	REMARKS



SPECIFICATION		
RATED LOAD	1.9	TON
TESTING LOAD	2.375	TON
LIFTING HEIGHT	50	M
HOISTING	SPEED	8.1 M/MIN
	MOTOR	3.5 KW x 1 SET
TRAVERSING	SPEED	- M/MIN
	MOTOR	- KW x - SET
POWER SUPPLY	AC220,380,440,460,480V x 3 ϕ x60Hz	
OPERATING METHOD	P.B type ON . FL	
LOAD CHAIN	$\phi 11.2 \times 34$ (1 FALL)	
WIEGHT	250 KG	

NOTE)

- 1) 점검 설비를 갖출것.
- 2) 인허가 서류를 완성검사시 제출할것.

물품목록지 및 배포금지

TITLE					PROJECTION	
DA-1.9S ELECTRIC CHAIN HOIST						
WORK NO	WORK NAME				SCALE	Q' TY
	CONNECTOR TYPE				N S	1
DRAWN	CHECKED	REVIEWED	APPROVED	DRAWING NO		
김창기						
2010.07.27						

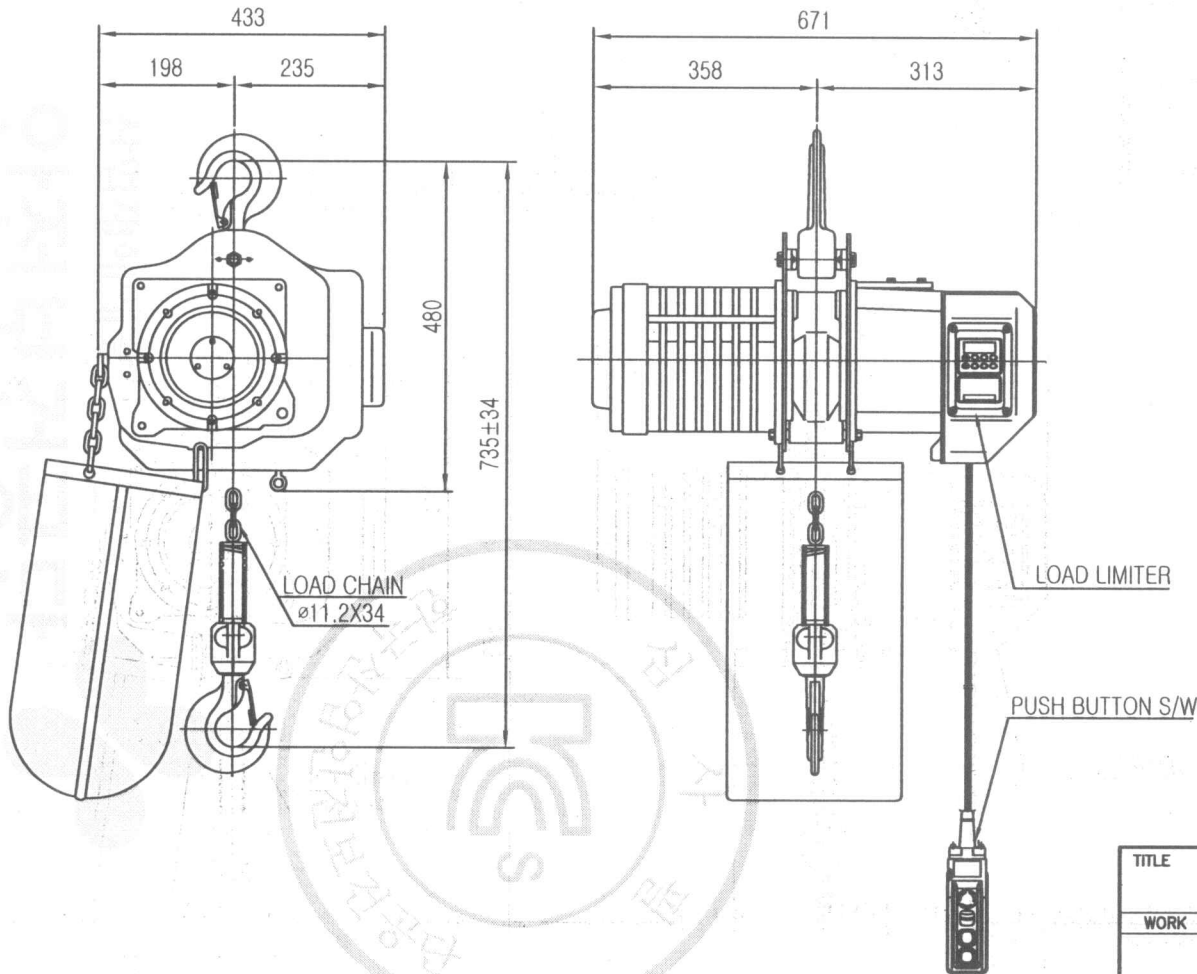
REV.NO	DATE	REVISION	DESCRIPTION	DRAWN	CHECKED	APPROVED

LK L K HOIST CO., LTD.

ON GMD

L K HOIST

NO	DESCRIPTION	SIZE	MAT L	Q' TY	WT (kg)	REMARKS



SPECIFICATION	
RATED LOAD	1.9 TON
TESTING LOAD	2.375 TON
LIFTING HEIGHT	50 M
HOISTING	SPEED 8.1 M/MIN
	MOTOR 3.5 KW x 1 SET
TRAVERSING	SPEED - M/MIN
	MOTOR - KW x - SET
POWER SUPPLY	AC220,380,440,460,480V x 3øx60Hz
OPERATING METHOD	P.B type ON . FL
LOAD CHAIN	ø11.2 x 34 (1 FALL)
WIEGHT	250 KG

NOTE)

- 1) 점검 설비를 갖출것.
- 2) 인허가 서류를 완성검사시 제출할것.

물범복제 및 배포금지

REV.NO	DATE	REVISION	DESCRIPTION	DRAWN	CHECKED	APPROVED

TITLE				PROJECTION	
DA-1.9S ELECTRIC CHAIN HOIST					
WORK NO	WORK NAME			SCALE	Q' TY
	HOOK TYPE			N S	1
DRAWN	CHECKED	REVIEWED	APPROVED	DRAWING NO	
김창기					
2010.07.27					

LK L K HOIST CO., LTD.