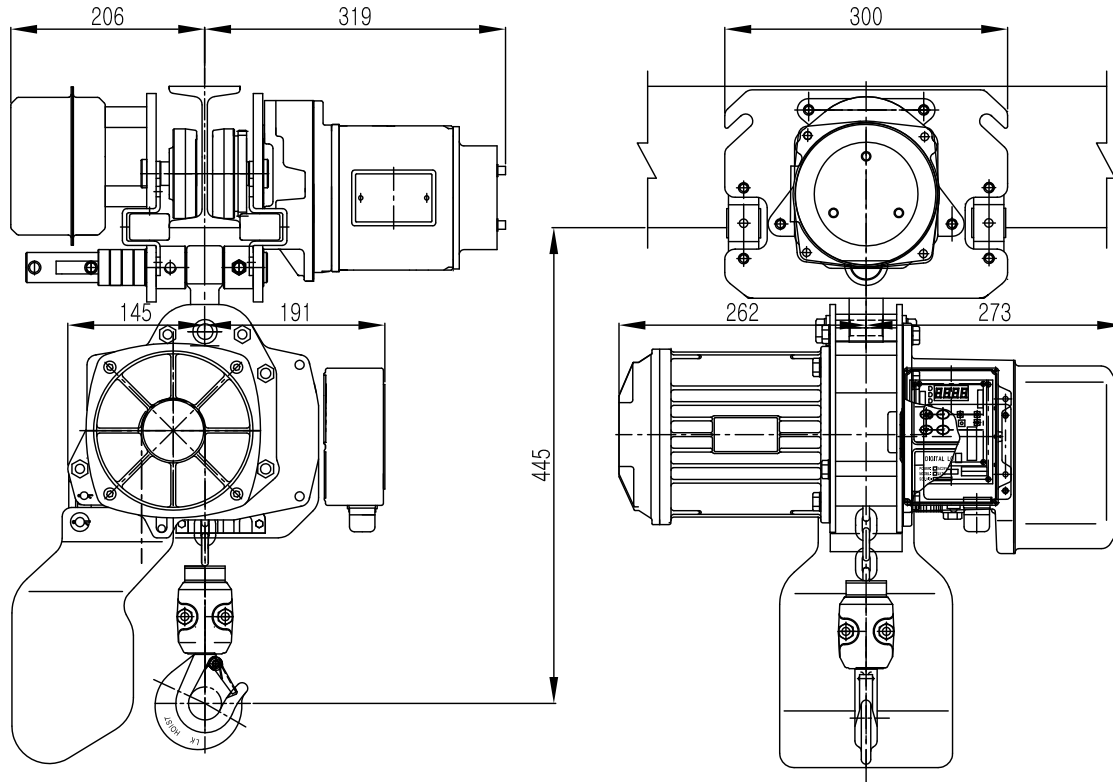


ON 9MD

L K HOIST

NO	DESCRIPTION	SIZE	MAT' L	Q' TY	WT (kg)	REMARKS



SPECIFICATION

		LTSM-1S
RATED LOAD	(TON)	1.0
TESTING LOAD	(TON)	1.25
LIFTING HEIGHT	(M)	50
HOISTING	SPEED (M/MIN)	6.5
	MOTOR (KW)	1.5kw x 4p
TRAVERSING	SPEED (M/MIN)	22
	MOTOR (KW)	0.5kw x 4p
POWER SUPPLY	AC220 V x 1φ x 60 Hz	
OPERATING METHOD	P.B type ON . FL	
LOAD CHAIN	∅7.1 X 21 (1FALL)	
WEIGHT	(KG)	130
I-BEAM 적용폭	75 ~ 175MM	

적용 I-BEAM)

- 1) I- 150 X75 X5.5/9.5 - 2.8M
- 2) I- 200 X100 X7/10 - 4.5M
- 3) I- 250 X125 X7.5/12.5 - 6.5M
- 4) I- 300 X150 X10/18.5 - 9.5M
- 5) I- 450 X175 X13/26 - 15M

NOTE)

- 1)점검 설비를 갖출 것
- 2)인허가 서류를 완성검사시 제출 할 것

TITLE					PROJECTION	
CHAIN HOIST LTSM-1S						
WORK NO	WORK NAME				SCALE	Q' TY
					N S	1
DRAWN	CHECKED	REVIEWED	APPROVED	DRAWING NO		
김 창 기						
2015.12.11						
L K HOIST CO., LTD.						

REV.NO	DATE	REVISION DESCRIPTION	DRAWN	CHECKED	APPROVED