

ON 5MD

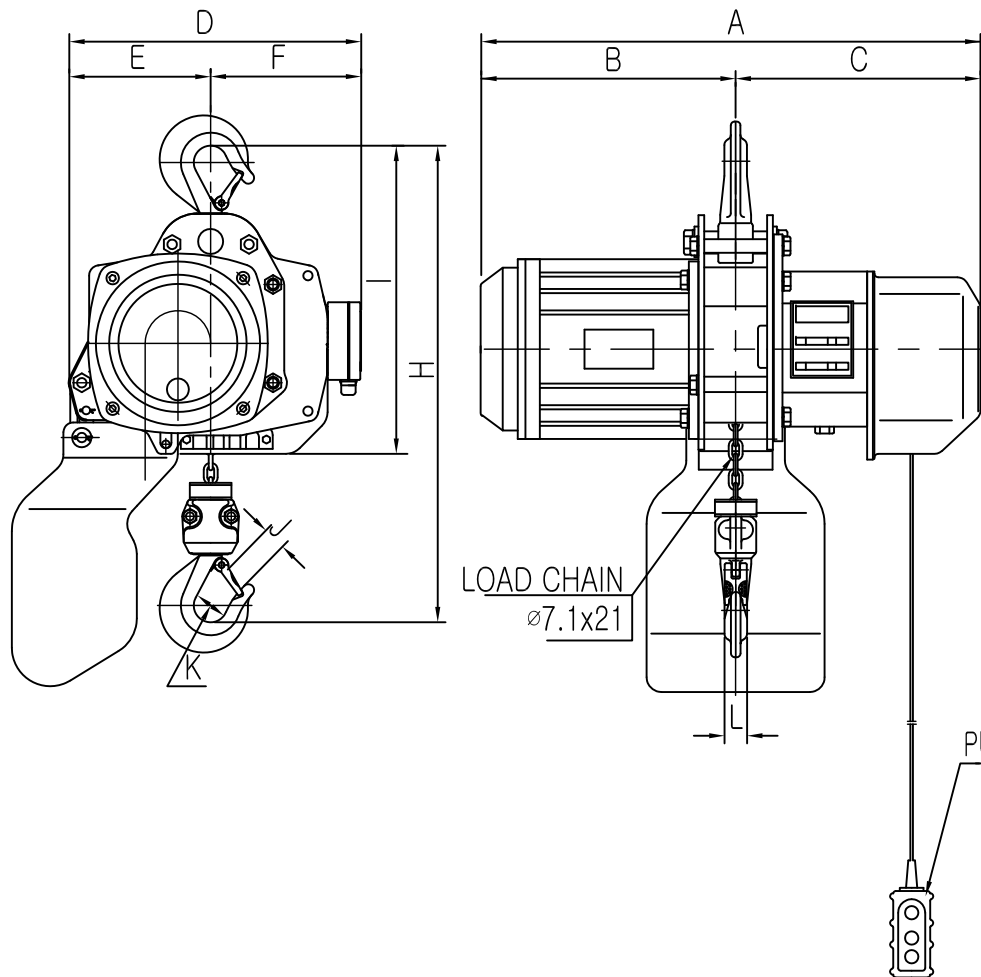
L K HOIST

NO	DESCRIPTION	SIZE	MAT' L	Q' TY	WT (kg)	REMARKS

제조일 : 0000-00-00
 형식번호 : 00-000-00
 정격하중 : 00-000-00
 제조자 : (주)LK

SPECIFICATION

		LTD-1S
RATED LOAD	(TON)	1
TESTING LOAD	(TON)	1.25
LIFTING HEIGHT	(M)	50
HOISTING	SPEED (M/MIN)	8.2/2
	MOTOR (KW)	2.0/0.5 x 2/8p
WEIGHT	(KG)	110
POWER SUPPLY		AC220.380.440.460.480V x3φ x 60 Hz
OPERATING METHOD		P.B type ON . FL
LOAD CHAIN		φ7.1 X 21 (1FALL)



DIMENSIONS

MODEL	CAPACITY (ton)	A	B	C	D	E	F	H	I	J	K	L
LTD-1S	1	567	294	273	336	145	191	410	326	25	35	24

NOTE)

- 1)점검 설비를 갖출 것
- 2)인허가 서류를 완성검사시 제출 할 것

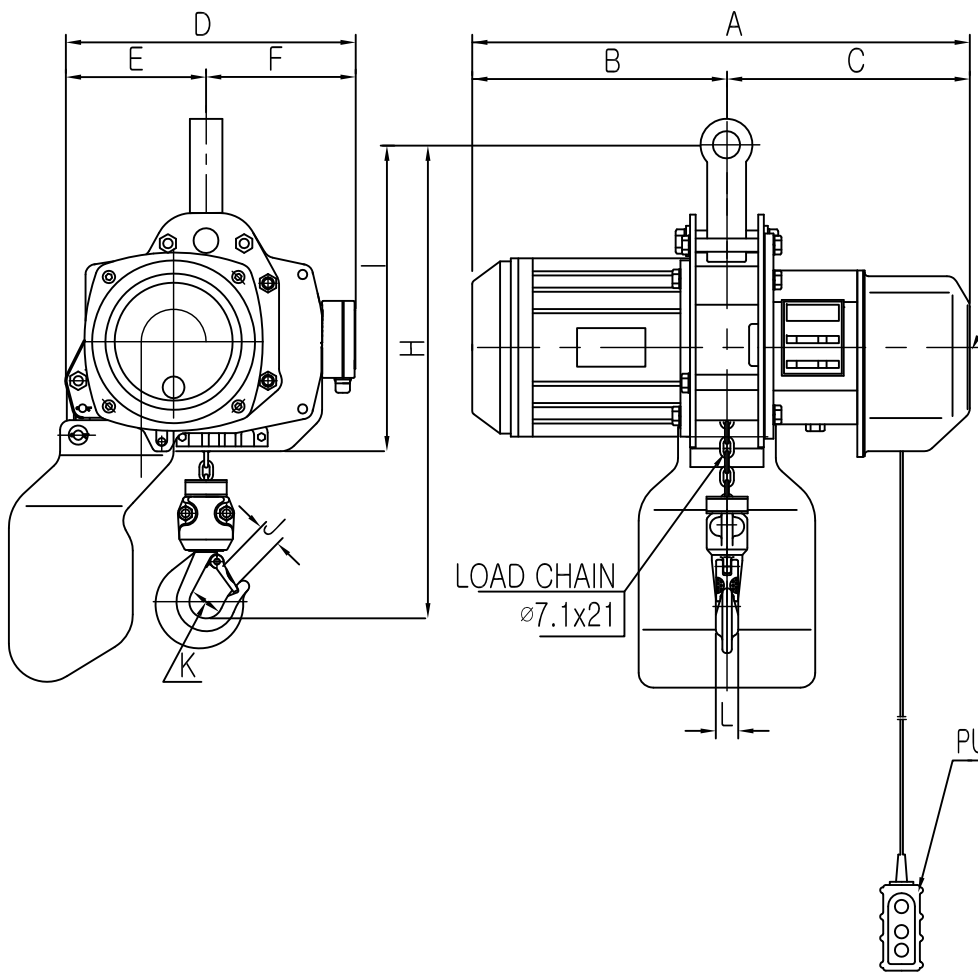
TITLE					PROJECTION	
ELECTRIC CHAIN HOIST LTD-1S						
WORK NO	WORK NAME				SCALE	Q' TY
	HOOK TYPE				N S	1
DRAWN	CHECKED	REVIEWED	APPROVED	DRAWING NO		
김 창 기						
2010.07.15						
L K HOIST CO., LTD.						

REV.NO	DATE	REVISION	DESCRIPTION	DRAWN	CHECKED	APPROVED

ON 3MG

L K HOIST

NO	DESCRIPTION	SIZE	MAT' L	Q' TY	WT (kg)	REMARKS



제조일 : 0000-00-00
 형식번호 : 00-000-00
 정격하중 : 00-000-00
 제조자 : (주)LK

SPECIFICATION

		LTD-1S
RATED LOAD	(TON)	1
TESTING LOAD	(TON)	1.25
LIFTING HEIGHT	(M)	50
HOISTING	SPEED (M/MIN)	8.2/2
	MOTOR (KW)	2.0/0.5 x 2/8p
WEIGHT	(KG)	110
POWER SUPPLY		AC220.380.440.460,480V x3ø x 60 Hz
OPERATING METHOD		P.B type ON . FL
LOAD CHAIN		ø7.1 X 21 (1FALL)

DIMENSIONS

MODEL	CAPACITY (ton)	A	B	C	D	E	F	H	I	J	K	L
LTD-1S	1	567	294	273	336	145	191	410	326	25	35	24

NOTE)

- 1)점검 설비를 갖출 것
- 2)인허가 서류를 완성검사시 제출 할 것

TITLE					PROJECTION	
ELECTRIC CHAIN HOIST LTD-1S						
CONNECTOR TYPE					N	S 1
DRAWN	CHECKED	REVIEWED	APPROVED	DRAWING NO		
김 창 기						
2010.07.15						

REV.NO	DATE	REVISION	DESCRIPTION	DRAWN	CHECKED	APPROVED

ON 9MO

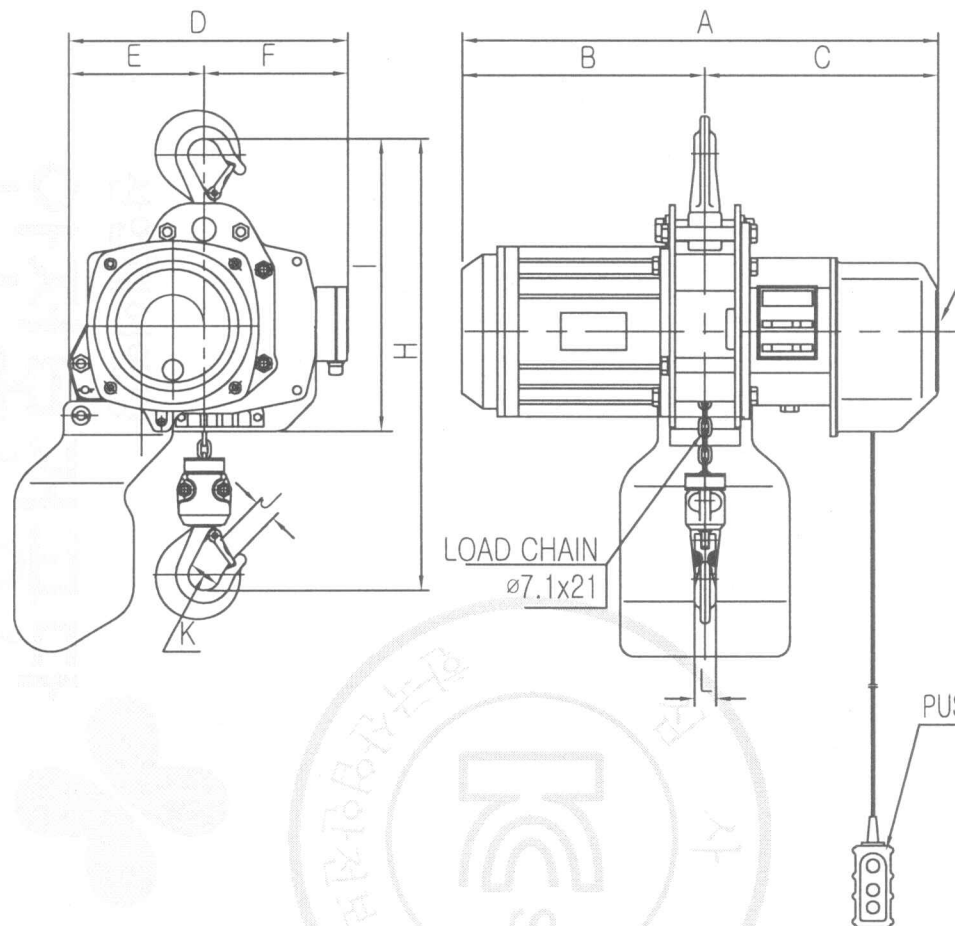
L K HOIST

NO	DESCRIPTION	SIZE	MAT' L	Q' TY	WT (kg)	REMARKS

제조일 : 0000-00-00
 형식번호 : 00-000-00
 정격하중 : 00-000-00
 제조자 : (주)LK

SPECIFICATION

		LTD-1S
RATED LOAD	(TON)	1
TESTING LOAD	(TON)	1.25
LIFTING HEIGHT	(M)	50
HOISTING	SPEED (M/MIN)	8.2/2
	MOTOR (KW)	2.0/0.5 x 2/8p
WEIGHT	(KG)	110
POWER SUPPLY		AC220.380.440.460.480V x3φ x 60 Hz
OPERATING METHOD		P.B type ON . FL
LOAD CHAIN		φ7.1 X 21 (1FALL)



DIMENSIONS

MODEL	CAPACITY (ton)	A	B	C	D	E	F	H	I	J	K	L
LTD-1S	1	567	294	273	336	145	191	410	326	25	35	24

NOTE)

- 1) 점검 설비를 갖출 것
- 2) 인허가 서류를 완성검사시 제출 할 것

TITLE					PROJECTION	
ELECTRIC CHAIN HOIST LTD-1S						
WORK NO	WORK NAME				SCALE	Q' TY
	HOOK TYPE				N S	1
DRAWN	CHECKED	REVIEWED	APPROVED	DRAWING NO		
김창기						
2010.07.15						

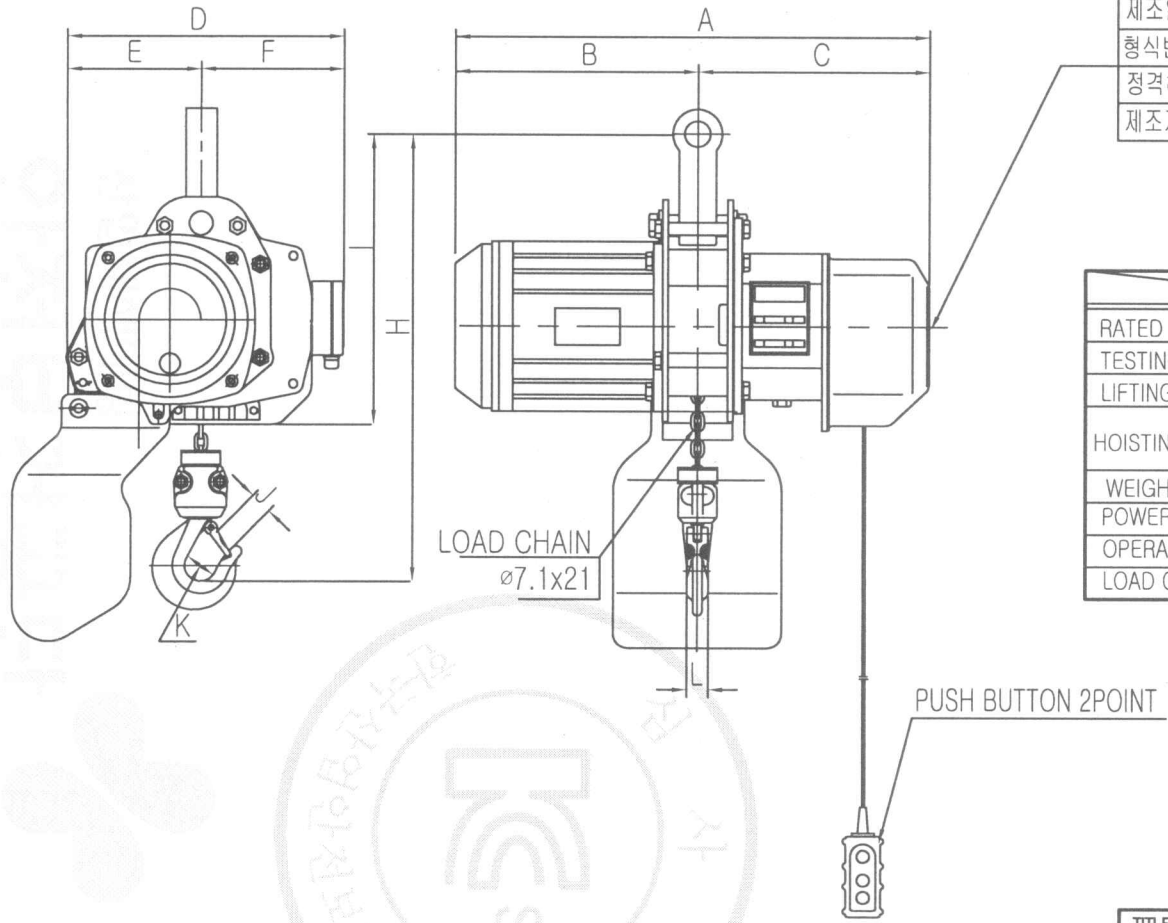
REV.NO	DATE	REVISION	DESCRIPTION	DRAWN	CHECKED	APPROVED

불법복제 및 배포금지

L K HOIST

ON 3MD

NO	DESCRIPTION	SIZE	MAT L	Q' TY	WT (kg)	REMARKS



제조일 : 0000-00-00
 형식번호 : 00-000-00
 정격하중 : 00-000-00
 제조자 : (주)LK

SPECIFICATION

		LTD-1S
RATED LOAD	(TON)	1
TESTING LOAD	(TON)	1.25
LIFTING HEIGHT	(M)	50
HOISTING	SPEED (M/MIN)	8.2/2
	MOTOR (KW)	2.0/0.5 x 2/8p
WEIGHT	(KG)	110
POWER SUPPLY		AC220,380,440,460,480V x3φ x 60 Hz
OPERATING METHOD		P.B type ON . FL
LOAD CHAIN		φ7.1 X 21 (1FALL)

DIMENSIONS

MODEL	CAPACITY (ton)	A	B	C	D	E	F	H	I	J	K	L
LTD-1S	1	567	294	273	336	145	191	410	326	25	35	24

NOTE)

- 1) 점검 설비를 갖출 것
- 2) 인허가 서류를 완성검사시 제출 할 것

TITLE					PROJECTION	
ELECTRIC CHAIN HOIST LTD-1S						
WORK NO	WORK NAME				SCALE	Q' TY
	CONNECTOR TYPE				N S	1
DRAWN	CHECKED	REVIEWED	APPROVED	DRAWING NO		
김 창 기						
2010.07.15						
L K HOIST CO., LTD.						

REV.NO	DATE	REVISION DESCRIPTION	DRAWN	CHECKED	APPROVED

물범복제 및 배포금지