

ON GMD

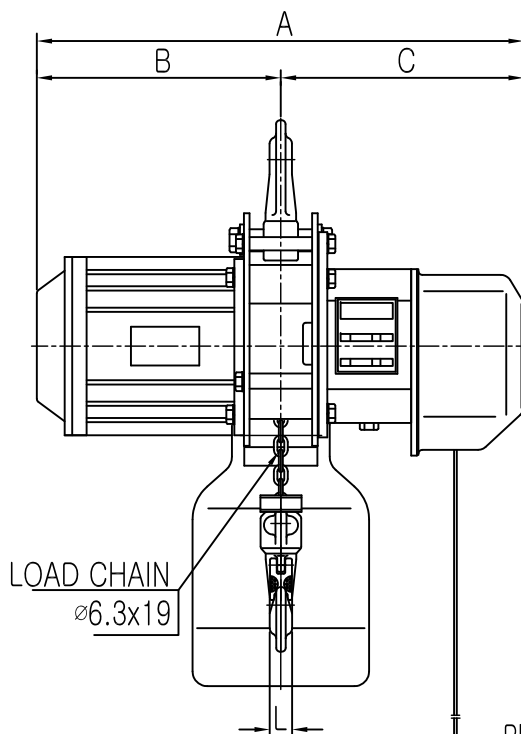
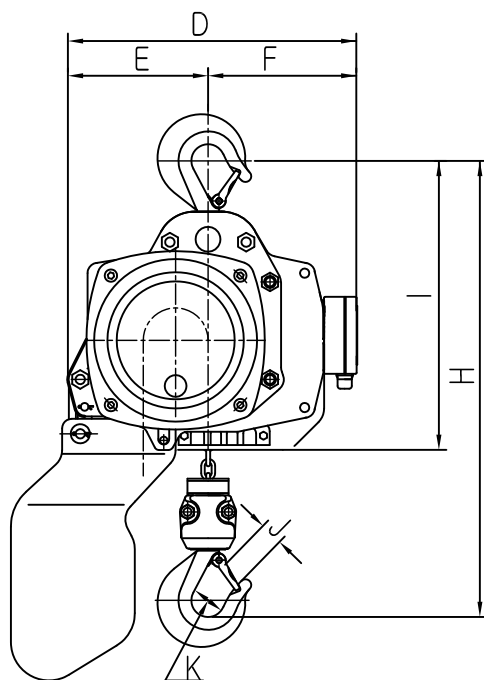
# L K HOIST

NO	DESCRIPTION	SIZE	MAT' L	Q' TY	WT (kg)	REMARKS

제조일 : 0000-00-00  
 형식번호 : 00-000-00  
 정격하중 : 00-000-00  
 제조자 : (주)LK

## SPECIFICATION

		LT-0.5S
RATED LOAD	(TON)	0.5
TESTING LOAD	(TON)	0.625
LIFTING HEIGHT	(M)	50
HOISTING	SPEED (M/MIN)	8
	MOTOR (KW)	0.8 x 4p
WEIGHT	(KG)	90
POWER SUPPLY	AC220.380.440.460,480V x3φ x 60 Hz	
OPERATING METHOD	P.B type ON . FL	
LOAD CHAIN	ø6.3 X 19 (1FALL)	



LOAD CHAIN  
ø6.3x19

PUSH BUTTON 2POINT

## DIMENSIONS

MODEL	CAPACITY (ton)	A	B	C	D	E	F	H	I	J	K	L
LT-0.5S	0.5	525	252	273	336	145	191	410	326	25	35	24

## NOTE)

- 1)점검 설비를 갖출 것
- 2)인허가 서류를 완성검사시 제출 할 것

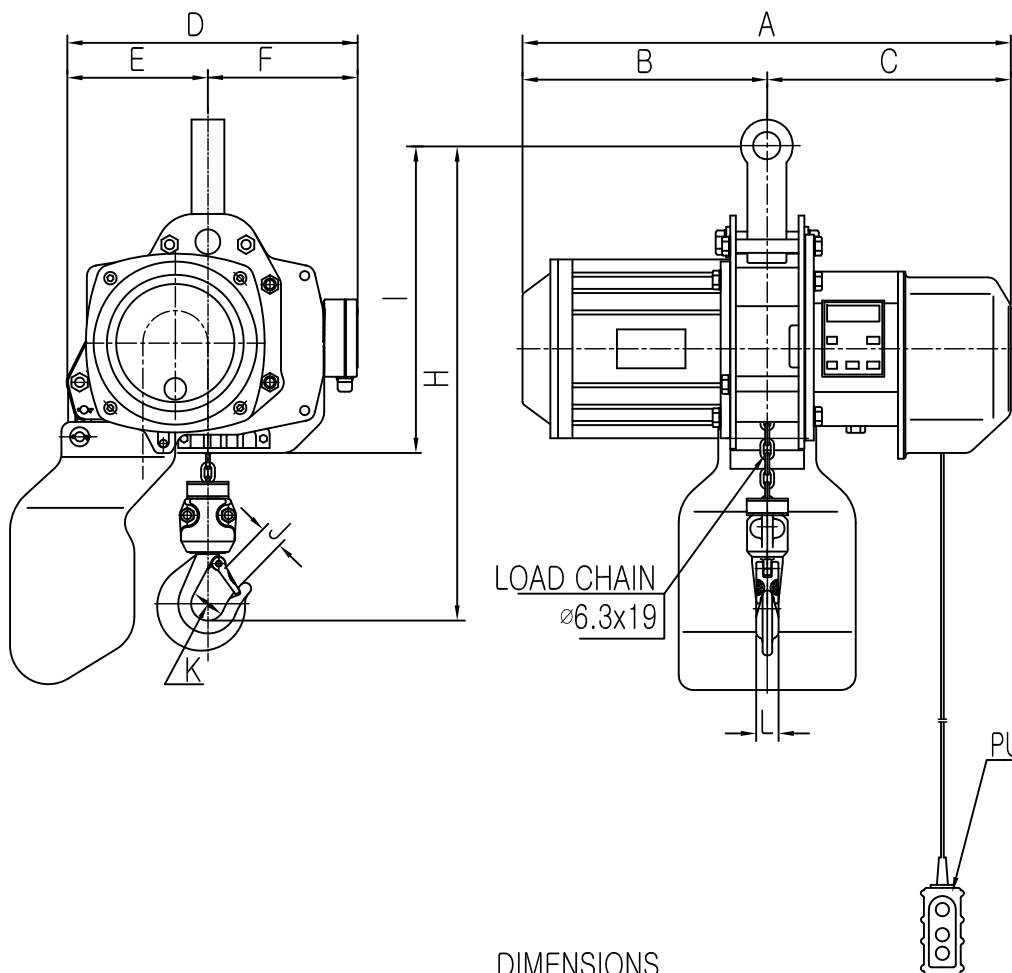
TITLE				PROJECTION	
<b>CHAIN HOIST LDS-0.5S</b>					
WORK NO	WORK NAME			SCALE	Q' TY
	HOOK TYPE			N S	1
DRAWN	CHECKED	REVIEWED	APPROVED	DRAWING NO	
김 창 기					
2010.07.15					

REV.NO	DATE	REVISION	DESCRIPTION	DRAWN	CHECKED	APPROVED

ON 9MD

# L K HOIST

NO	DESCRIPTION	SIZE	MAT' L	Q' TY	WT (kg)	REMARKS



제조일 : 0000-00-00  
 형식번호 : 00-000-00  
 정격하중 : 00-000-00  
 제조자 : (주)LK

## SPECIFICATION

		LT-0.5S
RATED LOAD	(TON)	0.5
TESTING LOAD	(TON)	0.625
LIFTING HEIGHT	(M)	50
HOISTING	SPEED (M/MIN)	8
	MOTOR (KW)	0.8 x 4p
WEIGHT	(KG)	90
POWER SUPPLY		AC220,380,440,460,480V x3ø x 60 Hz
OPERATING METHOD		P.B type ON . FL
LOAD CHAIN		ø6.3 X 19(1FALL)

## DIMENSIONS

MODEL	CAPACITY (ton)	A	B	C	D	E	F	H	I	J	K	L
LT-0.5S	0.5	525	252	273	336	145	191	410	326	25	35	24

## NOTE)

- 1)점검 설비를 갖출 것
- 2)인허가 서류를 완성검사시 제출 할 것

TITLE					PROJECTION		
<b>CHAIN HOIST LDS-0.5S</b>							
WORK NO	WORK NAME				SCALE	Q' TY	
	CONNECTOR TYPE				N S	1	
DRAWN	CHECKED	REVIEWED	APPROVED	DRAWING NO			
김 창 기							
2010.07.15							

REV.NO	DATE	REVISION	DESCRIPTION	DRAWN	CHECKED	APPROVED

ON GMD

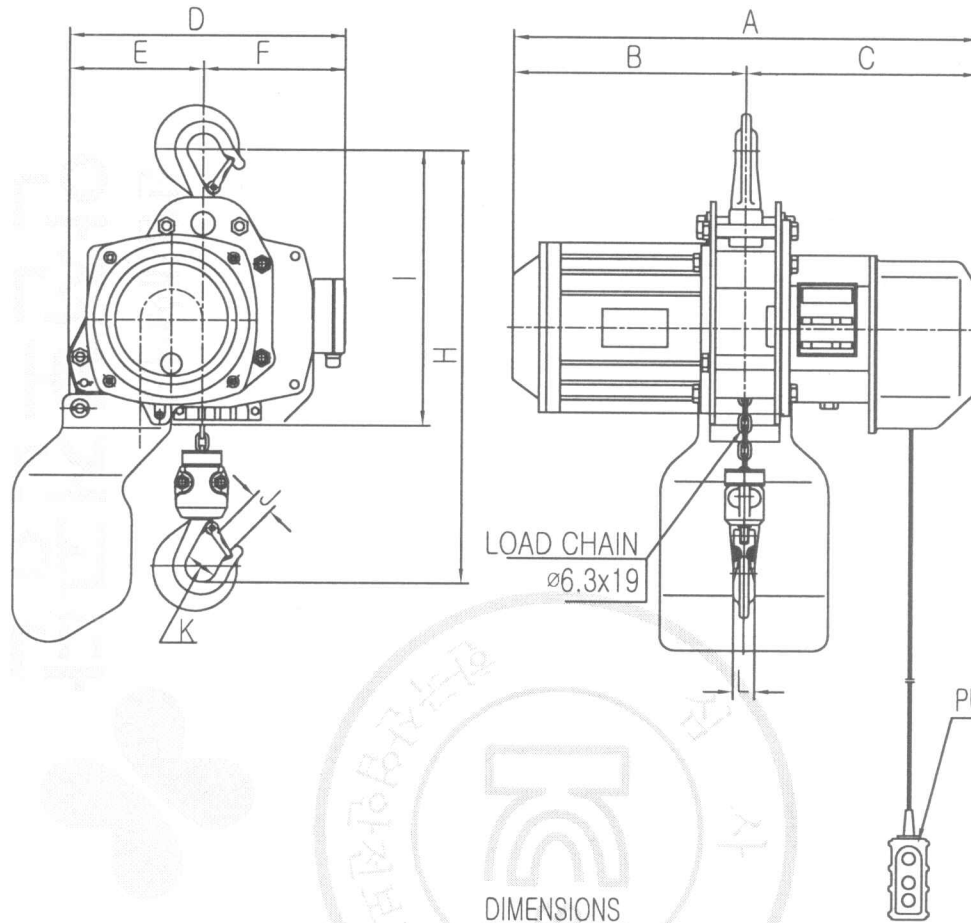
# L K HOIST

NO	DESCRIPTION	SIZE	MAT L	Q' TY	WT (kg)	REMARKS

제조일 : 0000-00-00  
 형식번호 : 00-000-00  
 정격하중 : 00-000-00  
 제조자 : (주)LK

## SPECIFICATION

		LT-0.5S
RATED LOAD	(TON)	0.5
TESTING LOAD	(TON)	0.625
LIFTING HEIGHT	(M)	50
HOISTING	SPEED (M/MIN)	8
	MOTOR (KW)	0.8 x 4p
WEIGHT	(KG)	90
POWER SUPPLY	AC220.380.440.460.480V x3φ x 60 Hz	
OPERATING METHOD	P.B type ON . FL	
LOAD CHAIN	ø6.3 X 19 (1FALL)	



MODEL	CAPACITY (ton)	A	B	C	D	E	F	H	I	J	K	L
LT-0.5S	0.5	525	252	273	336	145	191	410	326	25	35	24

### NOTE)

- 1) 점검 설비를 갖출 것
- 2) 인허가 서류를 완성검사시 제출 할 것

REV.NO	DATE	REVISION	DESCRIPTION	DRAWN	CHECKED	APPROVED

TITLE					PROJECTION	
<b>CHAIN HOIST LDS-0.5S</b>						
WORK NO	WORK NAME			SCALE	Q' TY	
	HOOK TYPE			N S	1	
DRAWN	CHECKED	REVIEWED	APPROVED	DRAWING NO		
김창기						
2010.07.15						

물범북제 및 배포금지

ON 5MG

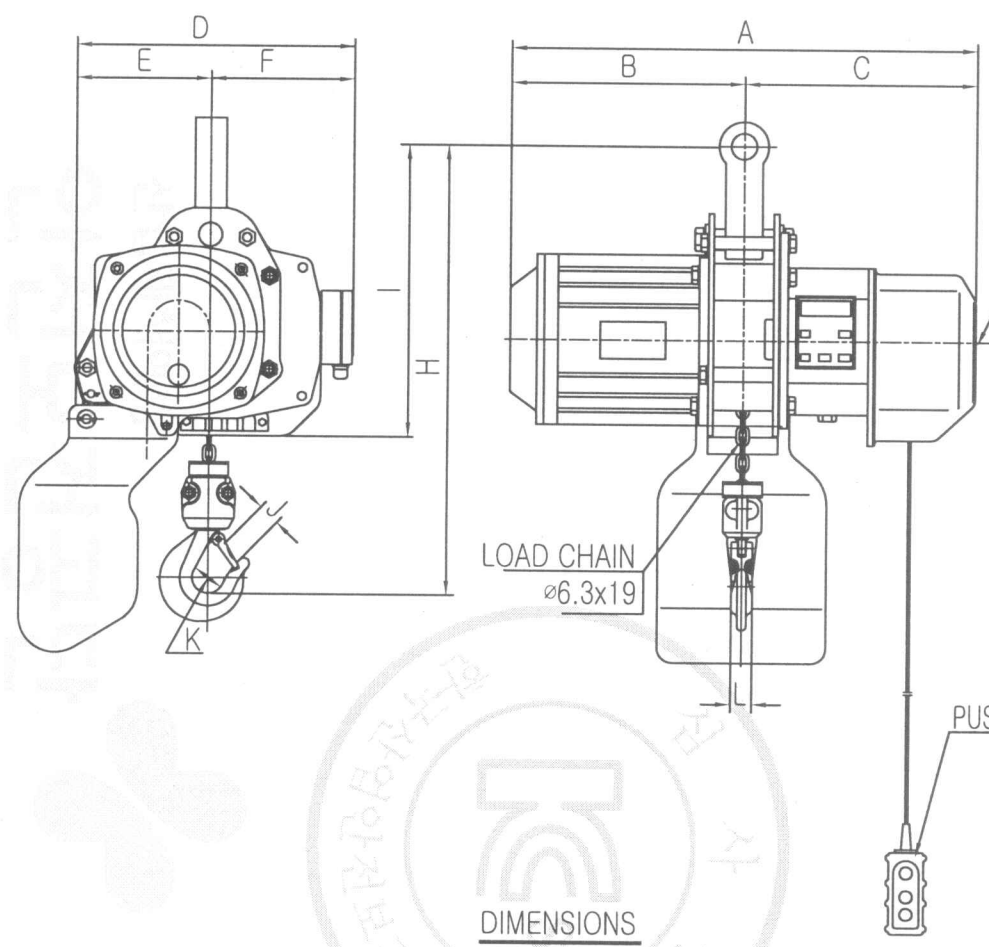
# L K HOIST

NO	DESCRIPTION	SIZE	MAT'L	Q'TY	WT (kg)	REMARKS

제조일 : 0000-00-00  
 형식번호 : 00-000-00  
 정격하중 : 00-000-00  
 제조자 : (주)LK

## SPECIFICATION

		LT-0.5S
RATED LOAD	(TON)	0.5
TESTING LOAD	(TON)	0.625
LIFTING HEIGHT	(M)	50
HOISTING	SPEED (M/MIN)	8
	MOTOR (KW)	0.8 x 4p
WEIGHT	(KG)	90
POWER SUPPLY	AC220.380.440.460.480V x3φ x 60 Hz	
OPERATING METHOD	P.B type ON . FL	
LOAD CHAIN	φ6.3 X 19(1FALL)	



## DIMENSIONS

MODEL	CAPACITY (ton)	A	B	C	D	E	F	H	I	J	K	L
LT-0.5S	0.5	525	252	273	336	145	191	410	326	25	35	24

## NOTE)

- 1)점검 설비를 갖출 것
- 2)인허가 서류를 완성검사시 제출 할 것

REV.NO	DATE	REVISION	DESCRIPTION	DRAWN	CHECKED	APPROVED

TITLE					PROJECTION	
<b>CHAIN HOIST LDS-0.5S</b>						
WORK NO	WORK NAME			SCALE	Q'TY	
	CONNECTOR TYPE			N S	1	
DRAWN	CHECKED	REVIEWED	APPROVED	DRAWING NO		
김 창 기						
2010.07.15						
<b>L K HOIST CO., LTD.</b>						

별첨복제 및 배포금지