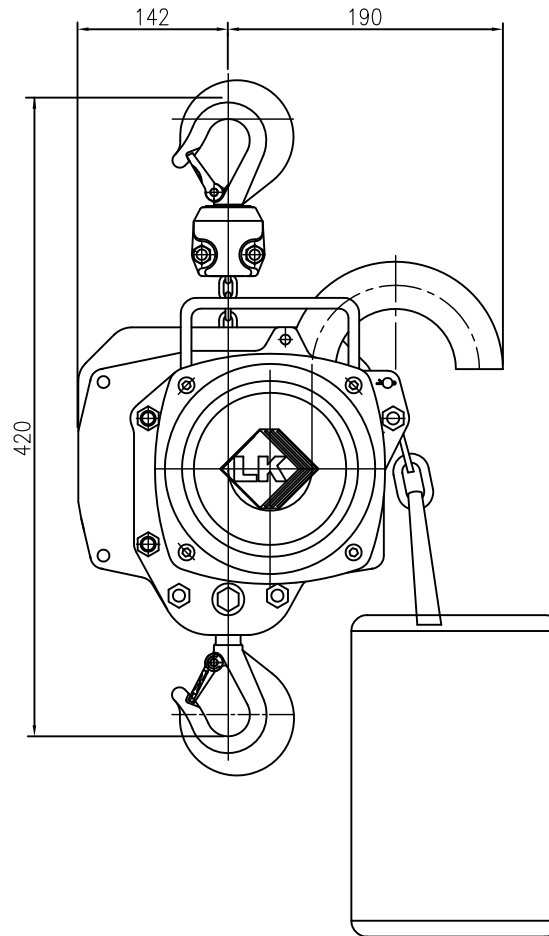
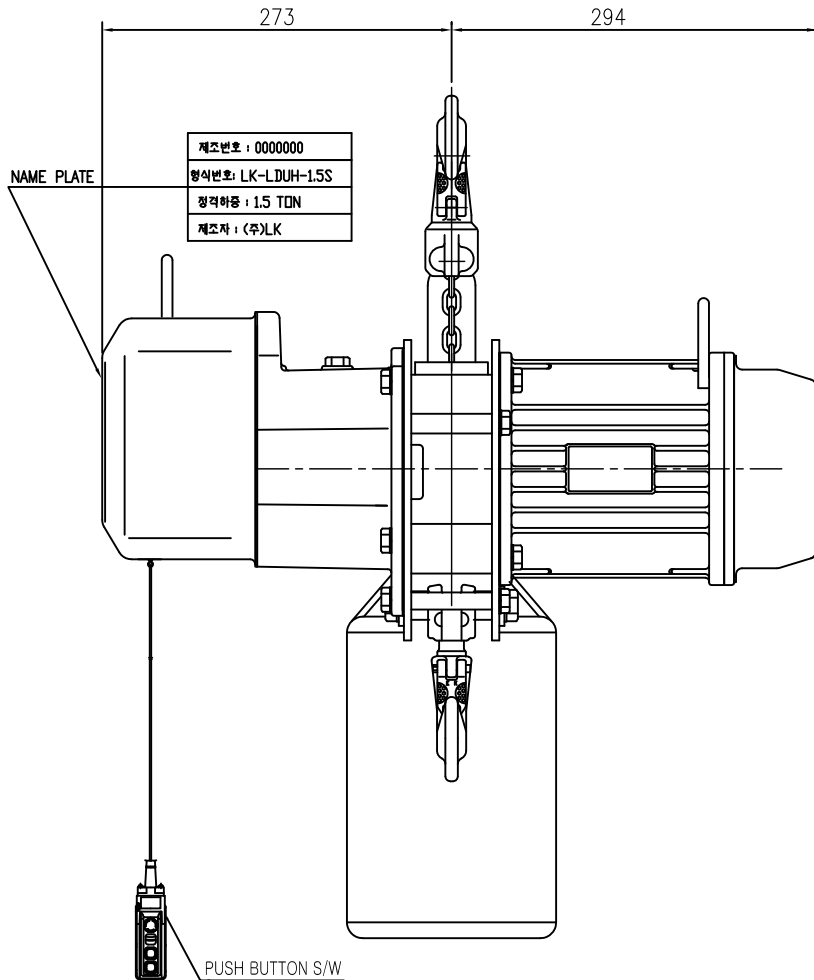


LK HOIST

ON SHOWN

NO	DESCRIPTION	SIZE	MAT'L	Q'TY	WT (kg)	REMARKS



SPECIFICATION		
RATED LOAD(TON)	1.5 TON	
TESTING LOAD(TON)	1.875 TON	
LIFTING HEIGHT(M)	60 M	
HOISTING	SPEED	4.0 M/MIN
	MOTOR	1.8 KW x 6P x 1 SET
WEIGHT(KW)	135	
POWER SUPPLY	AC220,380,440,460,480V x 3φ x 60 Hz	
OPERATING METHOD	P.B type ON . FL	
LOAD CHAIN	φ8 x 24	

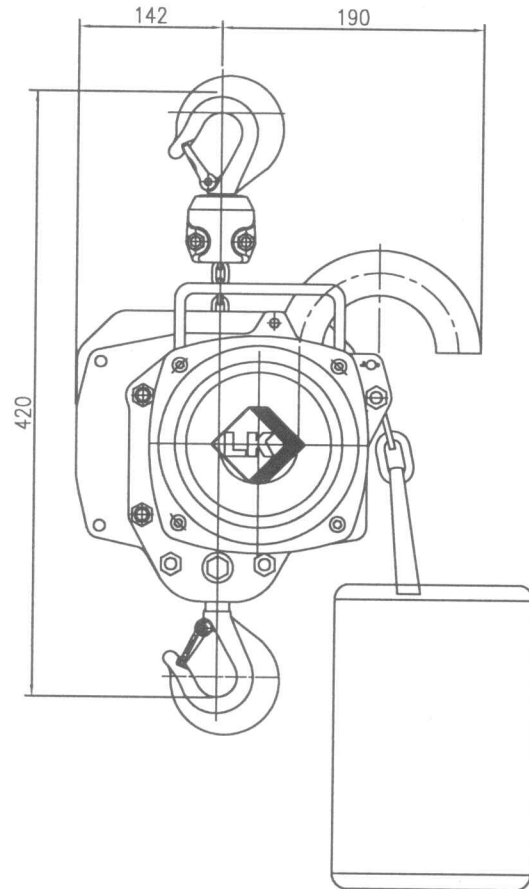
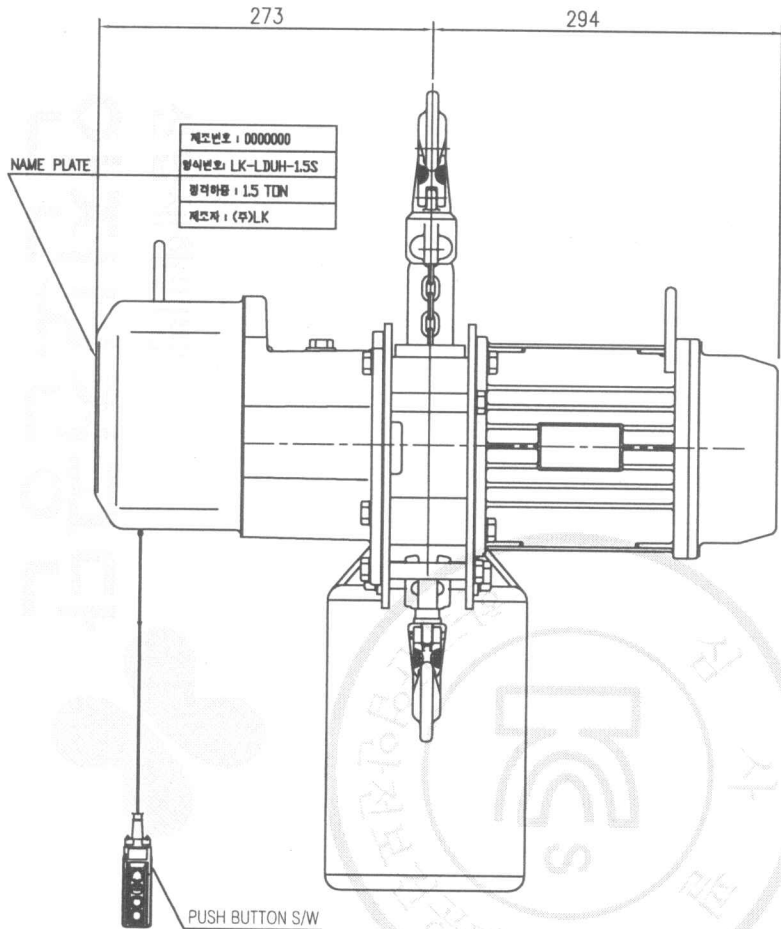
REV.NO	DATE	REVISION	DESCRIPTION	DRAWN	CHECKED	APPROVED

TITLE				PROJECTION	
LK-LDUH -1.5S ELECTRIC CHAIN HOIST					
WORK NO	WORK NAME			SCALE	Q' TY
				N S	1
DRAWN	CHECKED	REVIEWED	APPROVED	DRAWING NO	
김창기					
2010.10.11					
L K HOIST CO., LTD.					

ON DRAWING

LK HOIST

NO	DESCRIPTION	SIZE	MAT'L	Q'TY	WT (kg)	REMARKS



SPECIFICATION		
RATED LOAD(TON)	1.5 TON	
TESTING LOAD(TON)	1.875 TON	
LIFTING HEIGHT(M)	60 M	
HOISTING	SPEED	4.0 M/MIN
	MOTOR	1.8 KW x 6P x 1 SET
WEIGHT(KW)	135	
POWER SUPPLY	AC220,380,440,460,480V x 3ø x 60 Hz	
OPERATING METHOD	P.B type ON . FL	
LOAD CHAIN	ø8 x 24	

권번복제 및 배포금지

REV.NO	DATE	REVISION	DESCRIPTION	DRAWN	CHECKED	APPROVED

TITLE					PROJECTION	
LK-LDUH -1.5S ELECTRIC CHAIN HOIST						
WORK NO	WORK NAME				SCALE	Q'TY
					N S	1
DRAWN	CHECKED	REVIEWED	APPROVED	DRAWING NO		
김창기						
2010.10.11						
L K HOIST CO., LTD.						