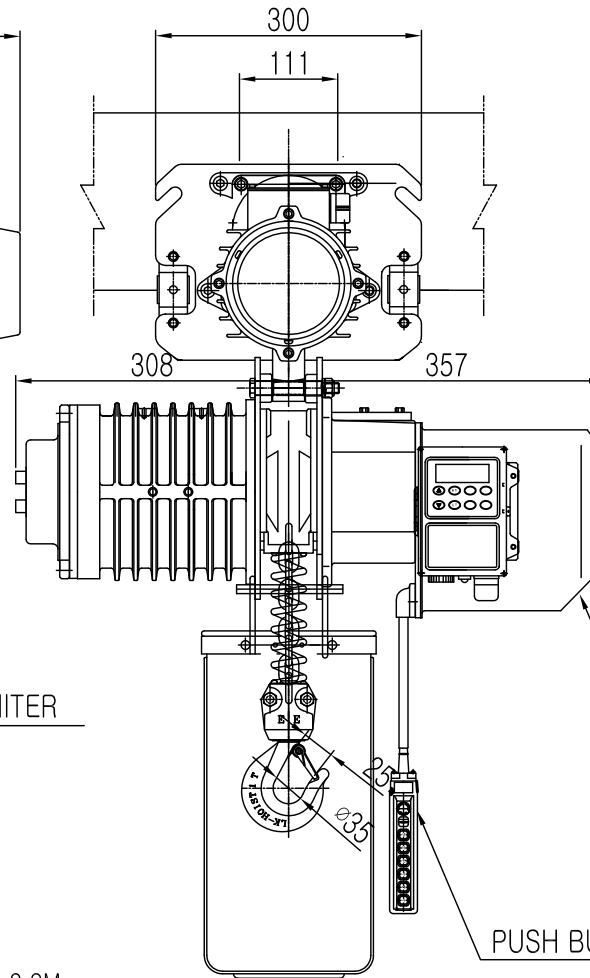
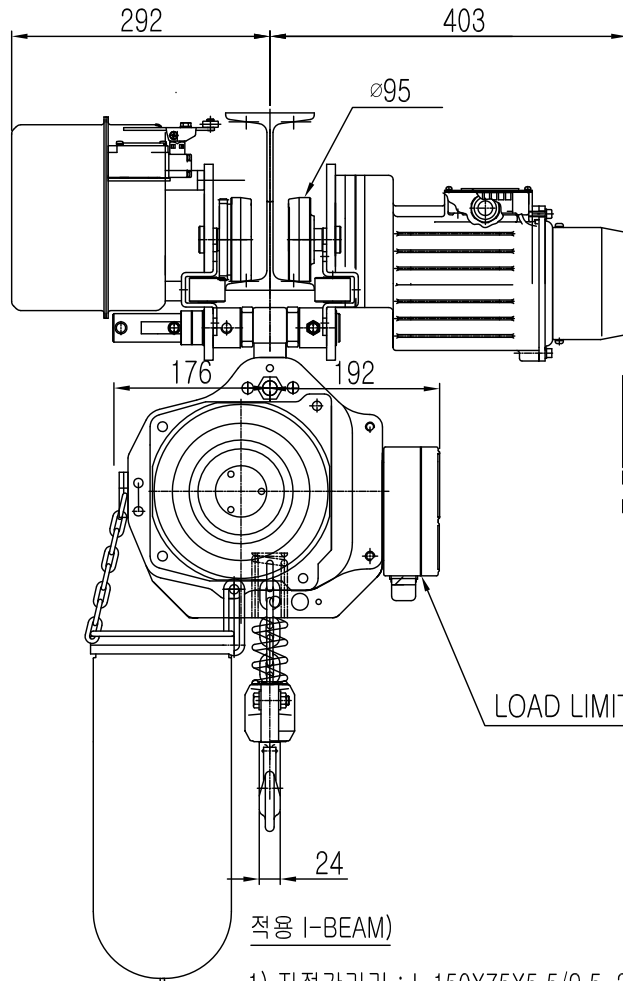


L K HOIST

NO	DESCRIPTION	SIZE	MAT'L	Q'TY	WT (kg)	REMARKS



SPECIFICATION

		LK-EDAM-1S	
RATED LOAD	(TON)	1.0	
TESTING LOAD	(TON)	1.25	
LIFTING HEIGHT	(M)	50	
HOISTING	SPEED (M/MIN)	8.2	
	MOTOR (KW)	1.8kw x 4p	
TRAVERSING	SPEED (M/MIN)	22	14
	MOTOR (KW)	0.75kw x 4p	0.4kw x 6p
POWER SUPPLY	AC220,380,440,460,480Vx3φ x 60 Hz		
OPERATING METHOD	P.B type ON . FL		
LOAD CHAIN	φ7.1 X 21 (1FALL)		
WEIGHT	(KG)	165	
I-BEAM 적용폭	75 ~ 175MM		

적용 I-BEAM)

- 1) 지점간거리 : I-150X75X5.5/9.5-2.8M
- 2) 지점간 거리: I-200X100X7/10 - 4.5M
- 3) 지점간거리 : I-250X125X7.5/12.5-6.5M
- 4) 지점간거리 : I-300X150X10/18.5-9.5M
- 5) 지점간거리 : I-450X175X13/26-15M

NOTE)

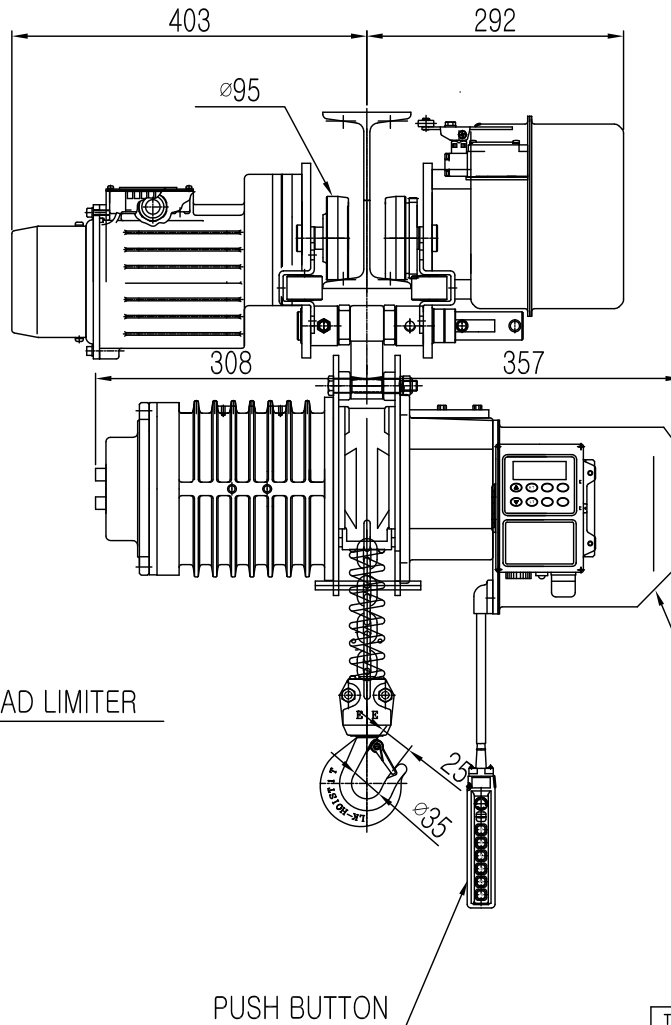
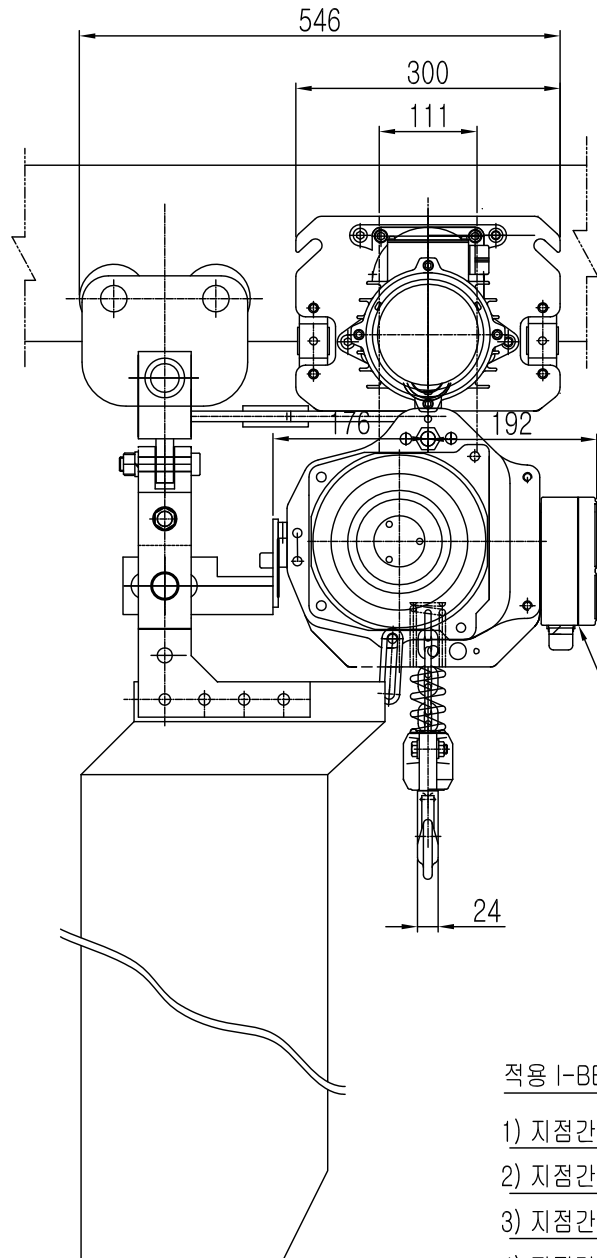
- 1) 점검 설비를 갖출 것
- 2) 인허가 서류를 완성검사시 제출 할 것

TITLE					PROJECTION	
ELECTRIC CHAIN HOIST LK-EDAM-1S						
WORK NO	WORK NAME				SCALE	Q' TY
	LK-EDAM-1S					1
DRAWN	CHECKED	REVIEWED	APPROVED	DRAWING NO		
김 창 기						
2013.10.24				CODE NO		
L K HOIST CO., LTD.						

REV.NO	DATE	REVISION	DESCRIPTION	DRAWN	CHECKED	APPROVED

L K HOIST

NO	DESCRIPTION	SIZE	MAT'L	Q'TY	WT (kg)	REMARKS



SPECIFICATION

		LK-EDAM-1S
RATED LOAD	(TON)	1.0
TESTING LOAD	(TON)	1.25
LIFTING HEIGHT	(M)	50
HOISTING	SPEED (M/MIN)	8.2
	MOTOR (KW)	1.8kw x 4p
TRAVERSING	SPEED (M/MIN)	22
	MOTOR (KW)	0.75kw x 4p 0.4kw x 6p
POWER SUPPLY	AC220.380.440.460.480Vx3 ϕ x 60 Hz	
OPERATING METHOD	P,B type ON . FL	
LOAD CHAIN	$\phi 7.1$ X 21 (1FALL)	
WEIGHT	(KG)	165
I-BEAM 적용폭	75 ~ 175MM	

적용 I-BEAM)

- 1) 지점간거리 : I-150X75X5.5/9.5-2.8M
- 2) 지점간 거리 : I-200X100X7/10 - 4.5M
- 3) 지점간거리 : I-250X125X7.5/12.5-6.5M
- 4) 지점간거리 : I-300X150X10/18.5-9.5M
- 5) 지점간거리 : I-450X175X13/26-15M

NOTE)

- 1) 점검 설비를 갖출 것
- 2) 인허가 서류를 완성검사시 제출 할 것

TITLE						PROJECTION	
ELECTRIC CHAIN HOIST LK-EDAM-1S							
WORK NO	WORK NAME					SCALE	Q' TY
	LK-EDAM-1S						1
DRAWN	CHECKED	REVIEWED	APPROVED	DRAWING NO			
김 창 기							
2013.10.24				CODE NO			
L K HOIST CO., LTD.							