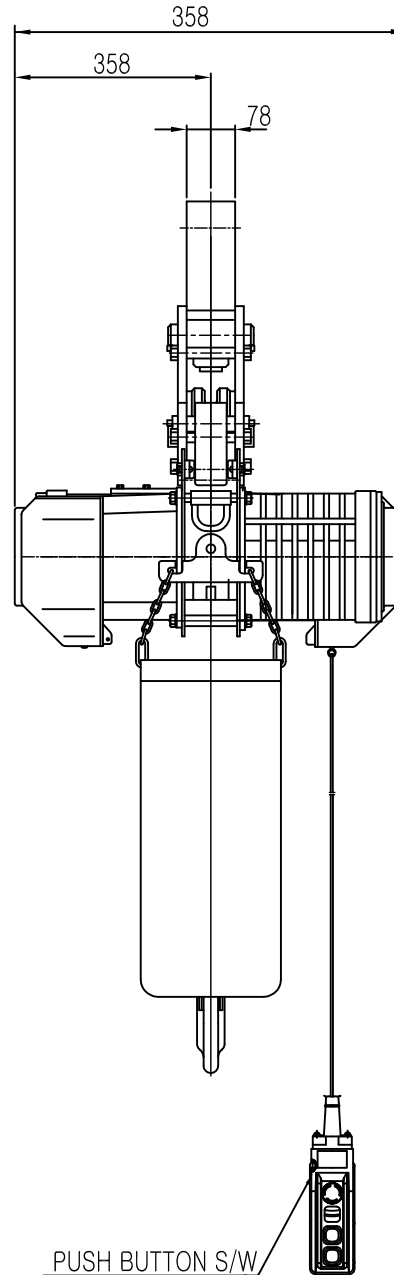
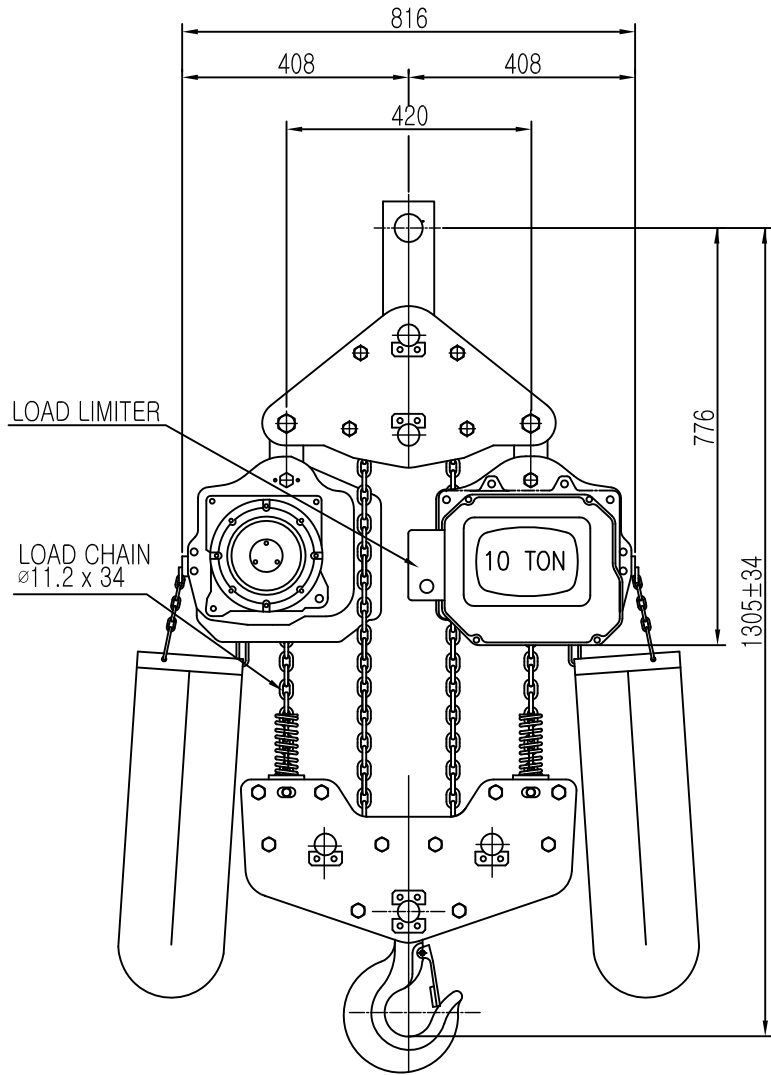


L K HOIST

NO	DESCRIPTION	SIZE	MAT'L	Q'TY	REMARKS



SPECIFICATION		
HOISTING LOAD	10	TON
TESTING LOAD	12.5	TON
LIFTING HEIGHT	50	M
HOISTING	SPEED	3.25 M/MIN
	MOTOR	3.5 KW x 2 SET
TRAVERSING	SPEED	- M/MIN
	MOTOR	- KW x - SET
POWER SUPPLY	AC 220,380,440,460,480V x 3∅ x 60Hz	
OPERATING METHOD	P.B type ON . FL	
LOAD CHAIN	∅11.2 x 34 (4 FALL)	
WEIGHT	893 Kg	

NOTE)

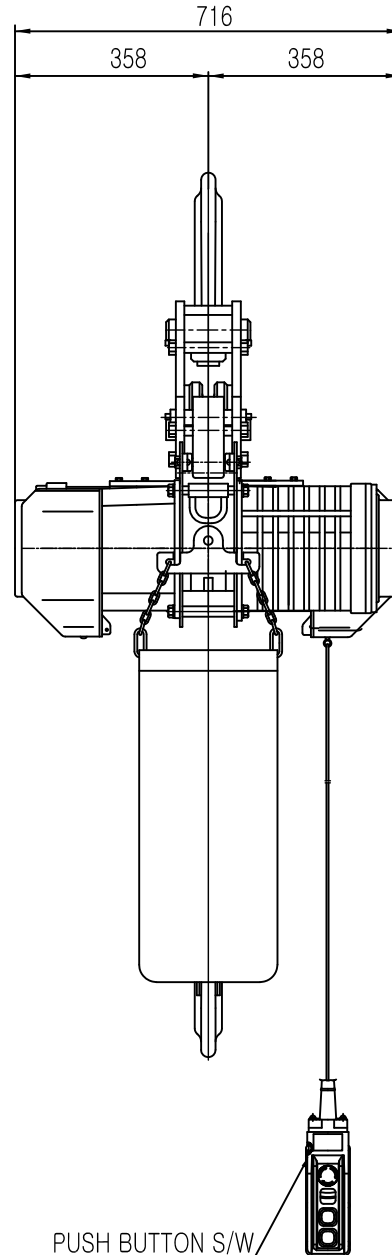
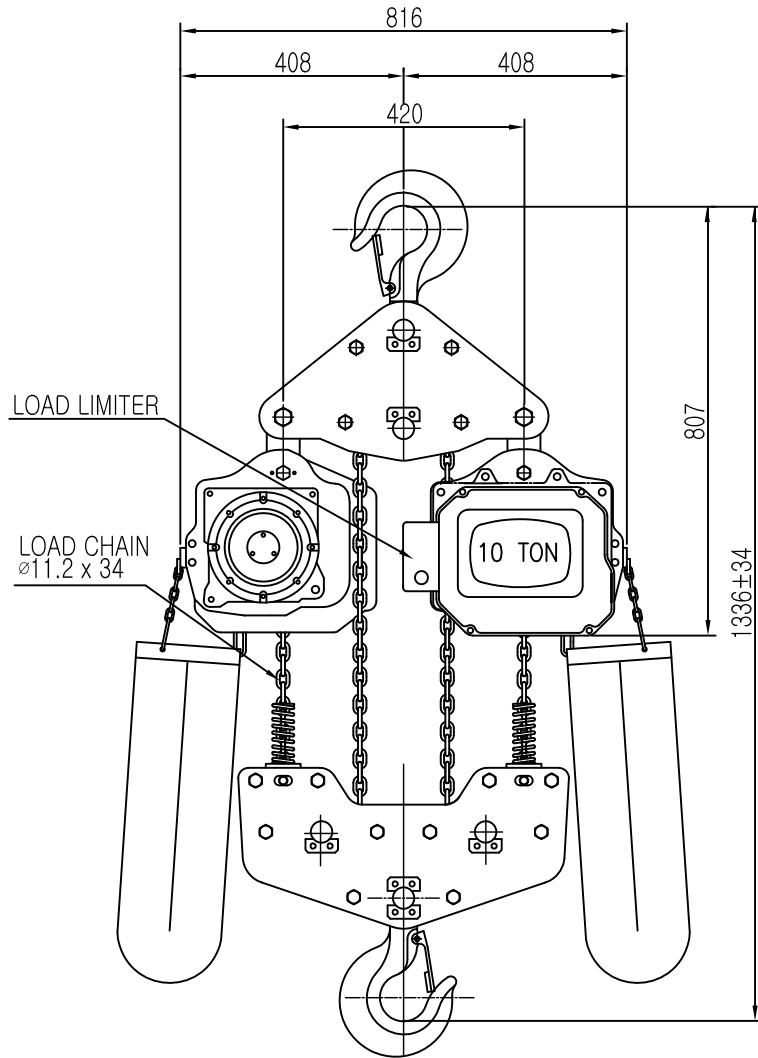
- 1) 점검 설비를 갖출것.
- 2) 인허가 서류를 완성검사시 제출할것.

TITLE				PROJECTION	
DA-10W ELECTRIC CHAIN HOIST					
WORK NO	WORK NAME			SCALE	Q'TY
	CONNECTOR TYPE			N.S	1
DRAWN	CHECKED	REVIEWED	APPROVED	DRAWING NO	
김 창 기					
2010.07.27					

REV.NO	DATE	REVISION DESCRIPTION	DRAWN	CHECKED	APPROVED

L K HOIST

NO	DESCRIPTION	SIZE	MAT'L	Q'TY	REMARKS



SPECIFICATION		
HOISTING LOAD	10	TON
TESTING LOAD	12.5	TON
LIFTING HEIGHT	50	M
HOISTING	SPEED	3.25 M/MIN
	MOTOR	3.5 KW x 2 SET
TRAVERSING	SPEED	- M/MIN
	MOTOR	- KW x - SET
POWER SUPPLY	AC 220,380,440,460,480V x 3ø x 60Hz	
OPERATING METHOD	P.B type ON . FL	
LOAD CHAIN	ø11.2 x 34 (4 FALL)	
WEIGHT	893 Kg	

NOTE)

- 1) 점검 설비를 갖출것.
- 2) 인허가 서류를 완성검사시 제출할것.

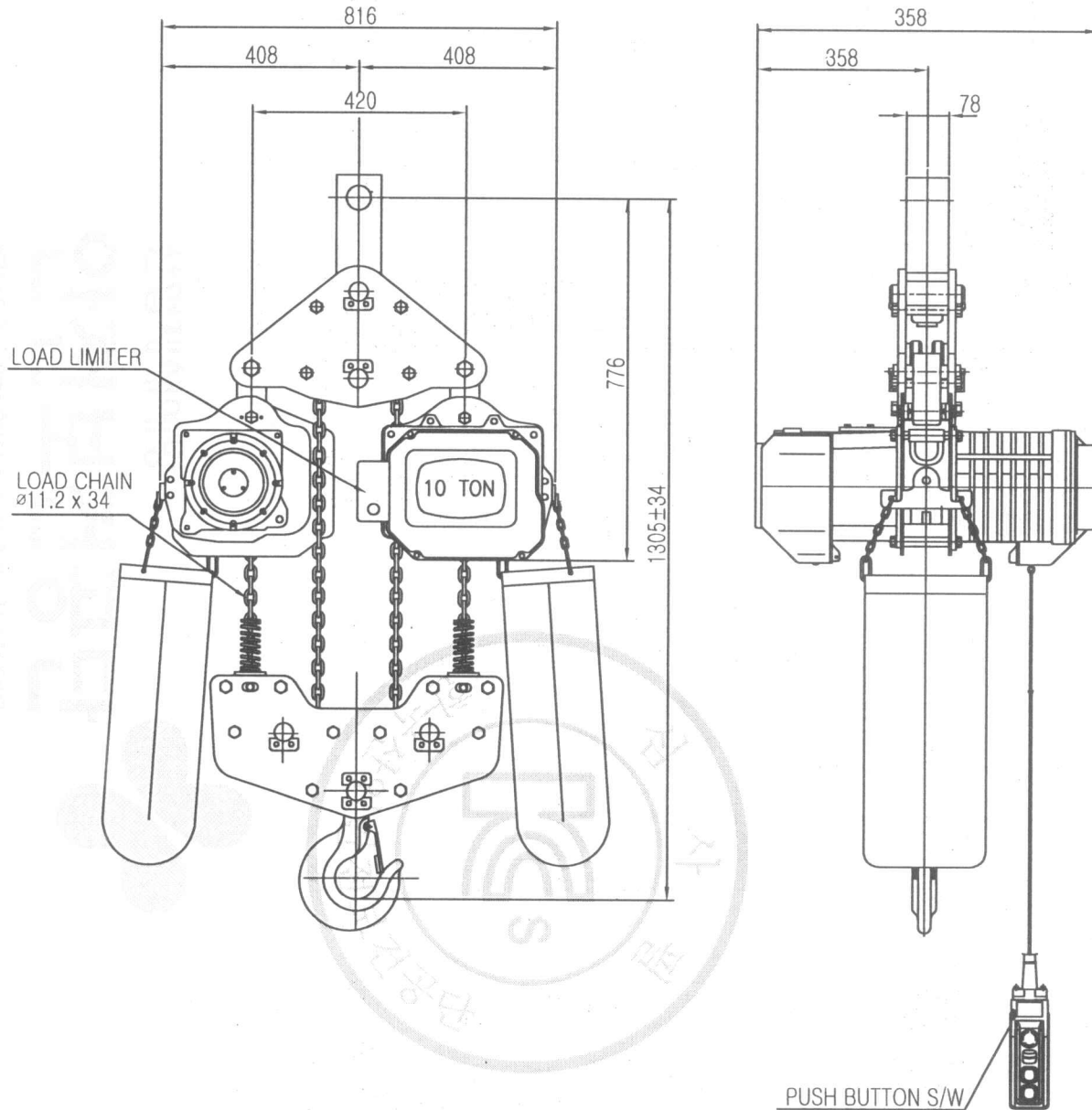
REV.NO	DATE	REVISION DESCRIPTION	DRAWN	CHECKED	APPROVED

TITLE DA-10W ELECTRIC CHAIN HOIST				PROJECTION	
WORK NO	WORK NAME			SCALE	Q'TY
	HOOK TYPE				
				N.S	1
DRAWN	CHECKED	REVIEWED	APPROVED	DRAWING NO	
김창기					
2010.07.27					



L K HOIST CO., LTD.

L K HOIST



NO	DESCRIPTION	SIZE	MAT'L	Q'TY	REMARKS

SPECIFICATION		
HOISTING LOAD	10 TON	
TESTING LOAD	12.5 TON	
LIFTING HEIGHT	50 M	
HOISTING	SPEED	3.25 M/MIN
	MOTOR	3.5 KW x 2 SET
TRAVERSING	SPEED	- M/MIN
	MOTOR	- KW x - SET
POWER SUPPLY	AC 220,380,440,460,480V x 3ø x 60Hz	
OPERATING METHOD	P.B type ON . FL	
LOAD CHAIN	ø11.2 x 34 (4 FALL)	
WEIGHT	893 Kg	

NOTE)

- 1) 점검 설비를 갖출것.
- 2) 인허가 서류를 완성검사시 제출할것.

열번복제 및 배포금지

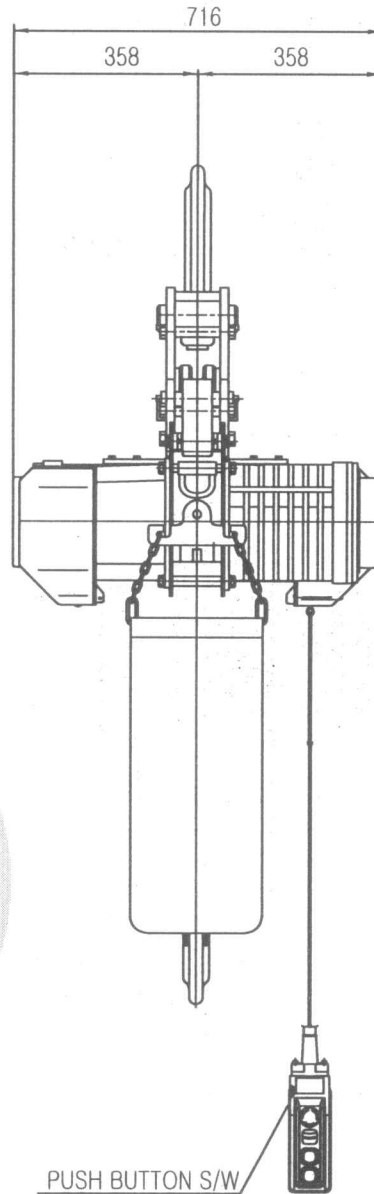
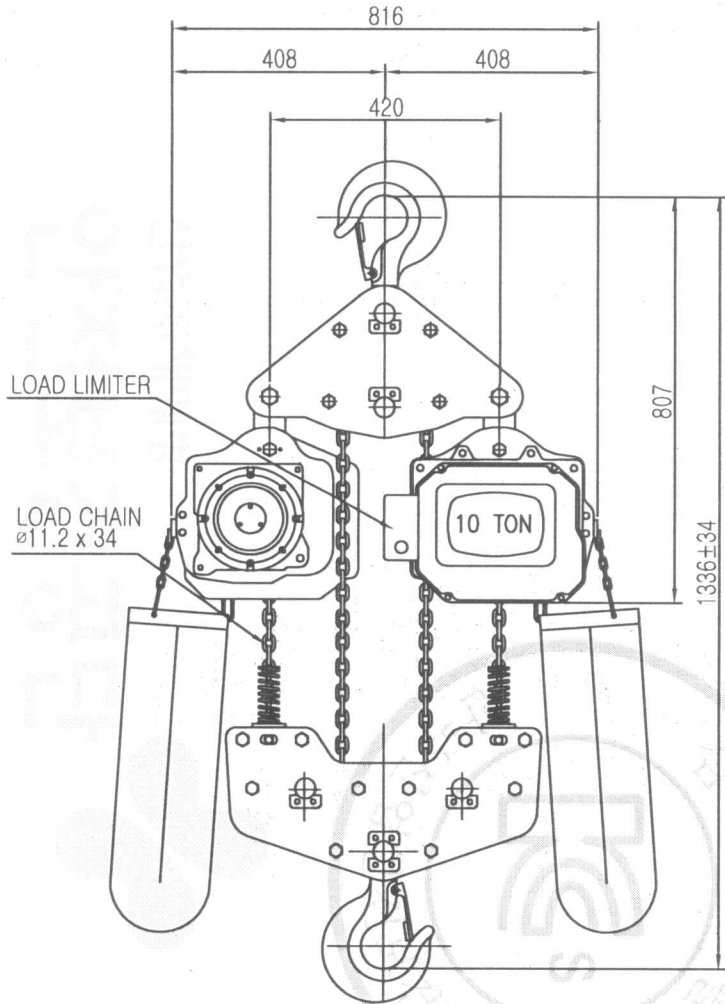
REV.NO	DATE	REVISION DESCRIPTION	DRAWN	CHECKED	APPROVED

TITLE DA-10W ELECTRIC CHAIN HOIST				PROJECTION	
WORK NO	WORK NAME			SCALE	Q'TY
	CONNECTOR TYPE				
				N.S	1
DRAWN	CHECKED	REVIEWED	APPROVED	DRAWING NO	
김창기					
2010.07.27					

LK L K HOIST CO., LTD.

L K HOIST

NO	DESCRIPTION	SIZE	MAT'L	Q'TY	REMARKS



SPECIFICATION		
HOISTING LOAD	10	TON
TESTING LOAD	12.5	TON
LIFTING HEIGHT	50	M
HOISTING	SPEED	3.25 M/MIN
	MOTOR	3.5 KW x 2 SET
TRAVERSING	SPEED	- M/MIN
	MOTOR	- KW x - SET
POWER SUPPLY	AC 220,380,440,460,480V x 3ø x 60Hz	
OPERATING METHOD	P.B type ON . FL	
LOAD CHAIN	ø11.2 x 34 (4 FALL)	
WEIGHT	893 Kg	

NOTE)

- 1) 점검 설비를 갖출것.
- 2) 인허가 서류를 완성검사시 제출할것.

TITLE DA-10W ELECTRIC CHAIN HOIST				PROJECTION	
WORK NO		WORK NAME		SCALE	Q'TY
		HOOK TYPE			
				N.S	1
DRAWN	CHECKED	REVIEWED	APPROVED	DRAWING NO	
김창기					
2010.07.27					

REV.NO	DATE	REVISION DESCRIPTION	DRAWN	CHECKED	APPROVED

LK L K HOIST CO., LTD.

물범북제 및 배포금지