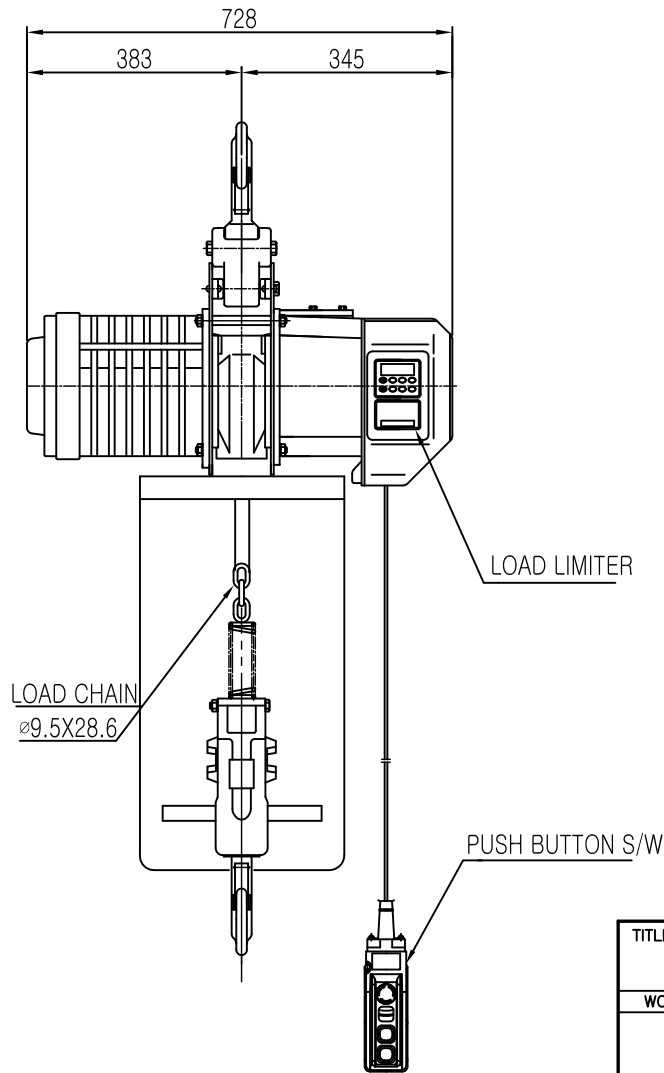
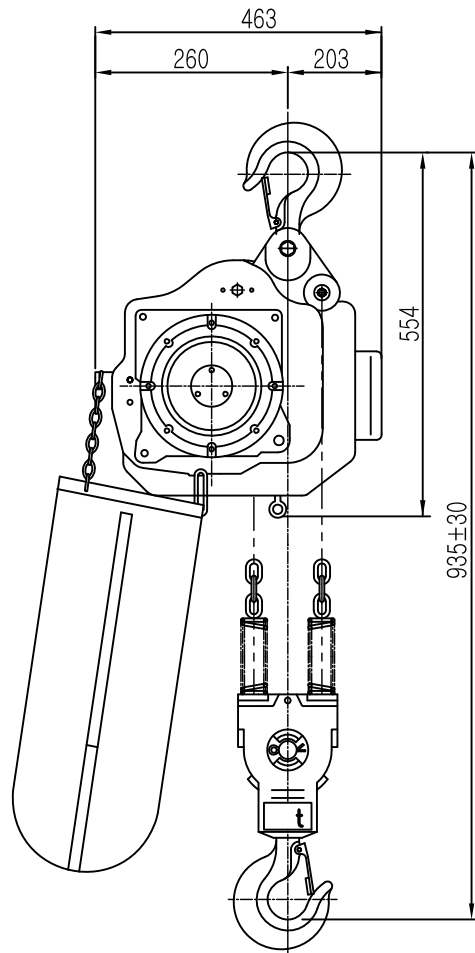


L K HOIST

ON ㉠D

NO	DESCRIPTION	SIZE	MAT' L	Q' TY	WT (kg)	REMARKS



SPECIFICATION		
HOISTING LOAD	2.8	TON
TESTING LOAD	3.5	TON
LIFTING HEIGHT	50	M
HOISTING	SPEED	5.15/1.7 M/MIN
	MOTOR	4.4/2.2KW x 2/6P
TRAVERSING	SPEED	- M/MIN
	MOTOR	- KW x - SET
POWER SUPPLY	AC220,380,440,460,480V x 3ø x 60 Hz	
OPERATING METHOD	P.B type ON . FL	
LOAD CHAIN	ø9.5 x 28.6 (2 FALL)	
WIEGHT	330 KG	

NOTE)

- 1) 점검 설비를 갖출것.
- 2) 인허가 서류를 완성검사시 제출할것.

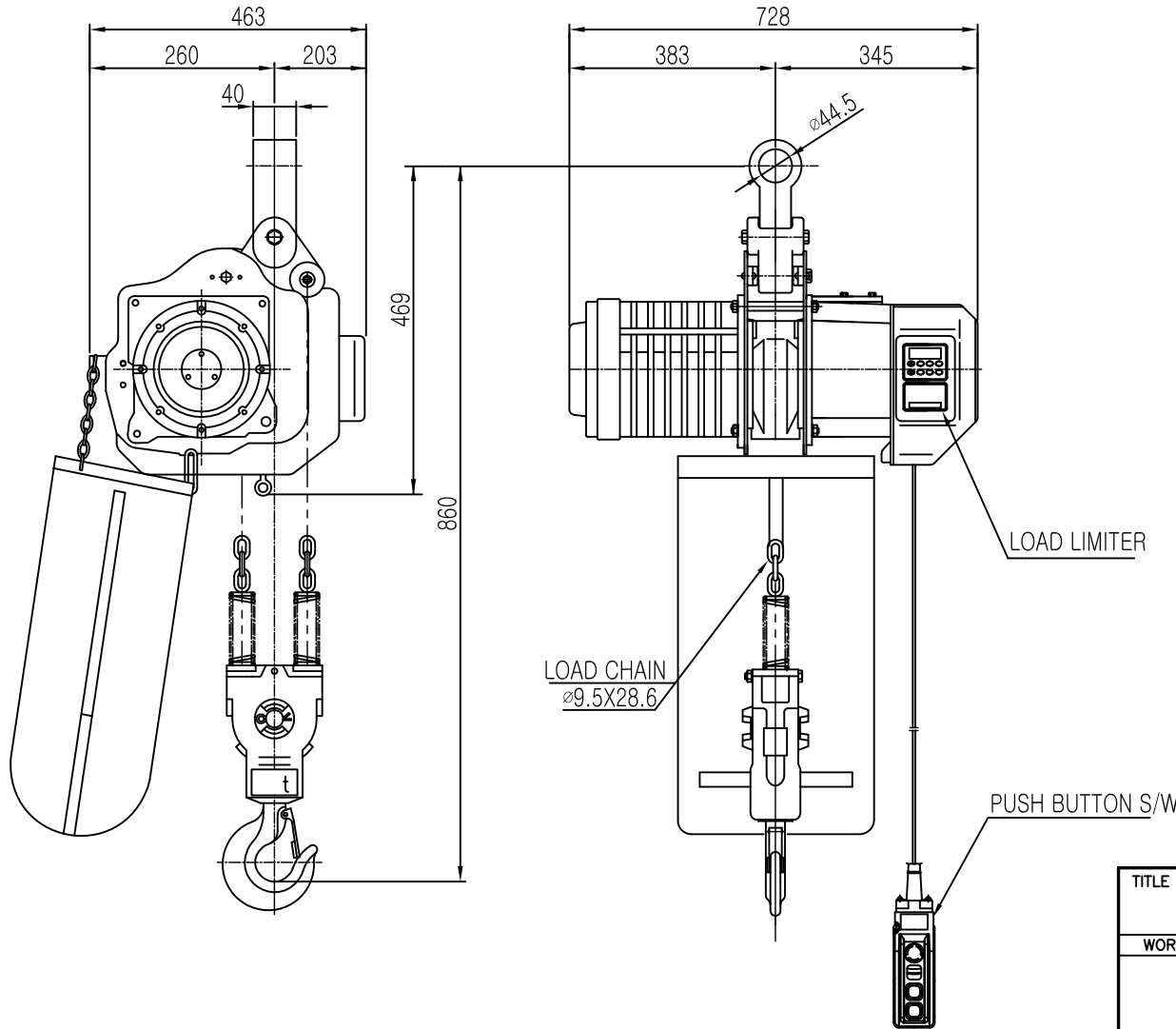
REV.NO	DATE	REVISION	DESCRIPTION	DRAWN	CHECKED	APPROVED

TITLE					PROJECTION		
DB-2.8W ELECTRIC CHAIN HOIST							
					SCALE	Q' TY	
WORK NO	WORK NAME				N	S	1
HOOK TYPE							
DRAWN	CHECKED	REVIEWED	APPROVED	DRAWING NO			
김 창 기							
2010.07.27							

ON GMD

L K HOIST

NO	DESCRIPTION	SIZE	MAT' L	Q' TY	WT (kg)	REMARKS



SPECIFICATION		
HOISTING LOAD	2.8	TON
TESTING LOAD	3.5	TON
LIFTING HEIGHT	50	M
HOISTING	SPEED	5.15/1.7 M/MIN
	MOTOR	4.4/2.2 KW x 2/6P
TRAVERSING	SPEED	- M/MIN
	MOTOR	- KW x - SET
POWER SUPPLY	AC220,380,440,460,480V x 3 ϕ x 60 Hz	
OPERATING METHOD	P.B type ON . FL	
LOAD CHAIN	$\phi 9.5 \times 28.6$ (2 FALL)	
WIEGHT	330 KG	

NOTE)

- 1) 점검 설비를 갖출것.
- 2) 인허가 서류를 완성검사시 제출할것.

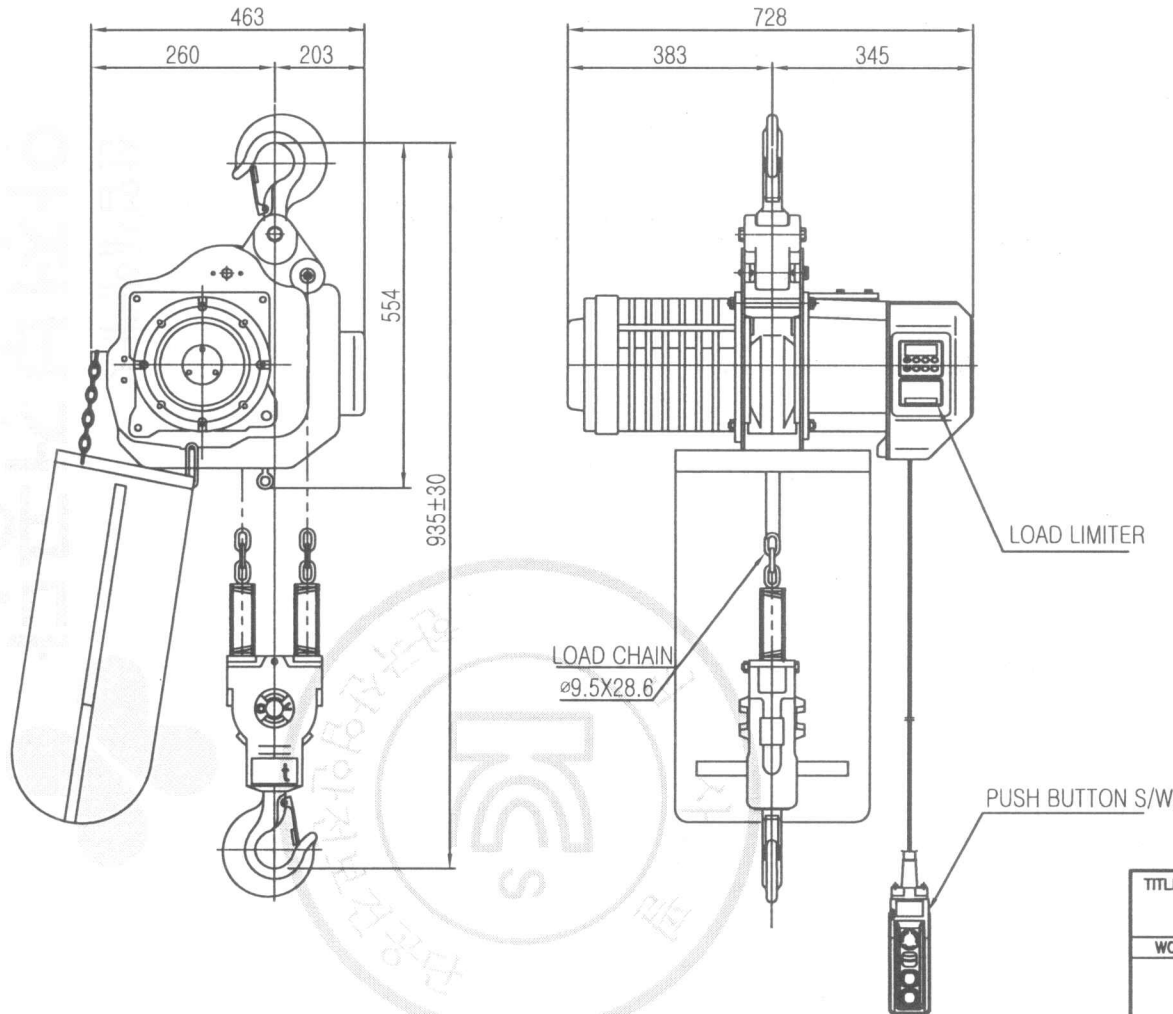
TITLE					PROJECTION	
DB-2.8W ELECTRIC CHAIN HOIST						
WORK NO	WORK NAME					
CONNECTOR TYPE					N	S 1
DRAWN	CHECKED	REVIEWED	APPROVED	DRAWING NO		
김 창 기						
2010.07.27						

REV.NO	DATE	REVISION	DESCRIPTION	DRAWN	CHECKED	APPROVED

ON OMD

L K HOIST

NO	DESCRIPTION	SIZE	MAT'L	Q'TY	WT (kg)	REMARKS



SPECIFICATION		
HOISTING LOAD	2.8	TON
TESTING LOAD	3.5	TON
LIFTING HEIGHT	50	M
HOISTING	SPEED	5.15/1.7 M/MIN
	MOTOR	4.4/2.2 KW x 2/6P
TRAVERSING	SPEED	- M/MIN
	MOTOR	- KW x - SET
POWER SUPPLY	AC220,380,440,460,480V x 3ø x 60 Hz	
OPERATING METHOD	P.B type ON . FL	
LOAD CHAIN	ø9.5 x 28.6 (2 FALL)	
WIEGHT	330 KG	

NOTE)

- 1) 점검 설비를 갖출것.
- 2) 인허가 서류를 완성검사시 제출할것.

물범복제 및 배포금지

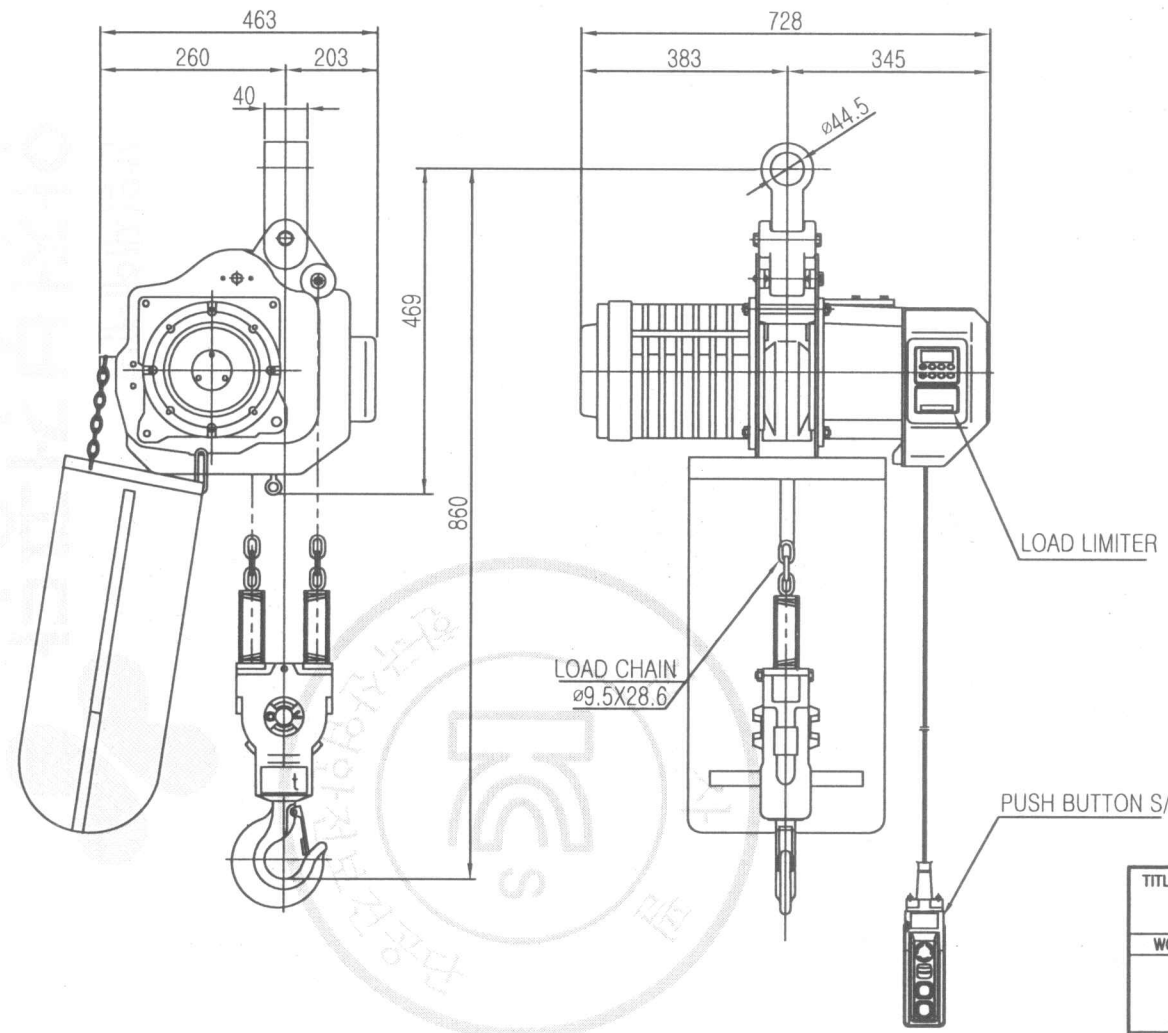
TITLE					PROJECTION		
DB-2.8W ELECTRIC CHAIN HOIST							
WORK NO	WORK NAME				SCALE	Q' TY	
	HOOK TYPE				N	S	1
DRAWN	CHECKED	REVIEWED	APPROVED	DRAWING NO			
김창기							
2010.07.27							
L K HOIST CO., LTD.							

REV.NO	DATE	REVISION	DESCRIPTION	DRAWN	CHECKED	APPROVED

ON DWG

L K HOIST

NO	DESCRIPTION	SIZE	MAT'L	Q'TY	WT (kg)	REMARKS



SPECIFICATION		
HOISTING LOAD	2.8	TON
TESTING LOAD	3.5	TON
LIFTING HEIGHT	50	M
HOISTING	SPEED	5.15/1.7 M/MIN
	MOTOR	4.4/2.2 KW x 2/6P
TRAVERSING	SPEED	- M/MIN
	MOTOR	- KW x - SET
POWER SUPPLY	AC220,380,440,460,480V x 3 ϕ x 60 Hz	
OPERATING METHOD	P.B type ON . FL	
LOAD CHAIN	$\phi 9.5 \times 28.6$ (2 FALL)	
WIEGHT	330 KG	

- NOTE)
- 1) 점검 설비를 갖출것.
 - 2) 인허가 서류를 완성검사시 제출할것.

TITLE					PROJECTION	
DB-2.8W ELECTRIC CHAIN HOIST						
WORK NO	WORK NAME				SCALE	Q' TY
	CONNECTOR TYPE				N S	1
DRAWN	CHECKED	REVIEWED	APPROVED	DRAWING NO		
김창기						
2010.07.27						
L K HOIST CO., LTD.						

REV.NO	DATE	REVISION	DESCRIPTION	DRAWN	CHECKED	APPROVED

본 명세서 및 배포금지