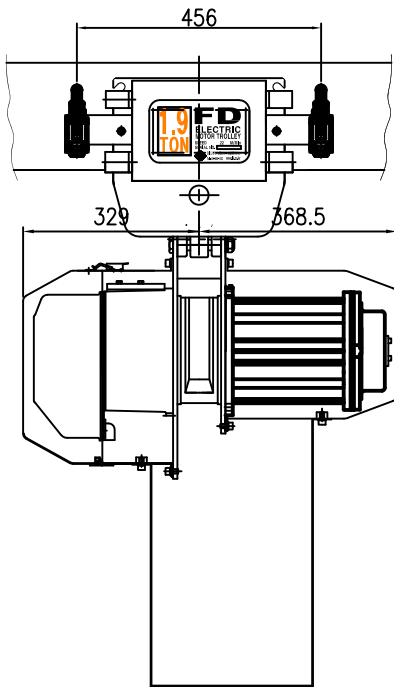
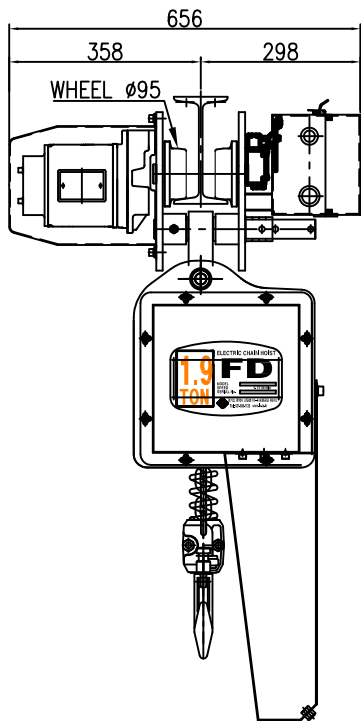


ON GMD

L K HOIST

NO	DESCRIPTION	SIZE	MAT' L	Q' TY	WT (kg)	REMARKS



SPECIFICATION		
HOISTING LOAD	1.9 TON	
TESTING LOAD	2.375 TON	
LIFTING HEIGHT	20 M	
HOISTING SPEED	8.1 M/MIN	
MOTOR	3.5 KW x 4p	
TRAVERSING SPEED	16 M/MIN	10.5 M/MIN
MOTOR	0.4 KW x 4p	0.3 KW x 6p
POWER SUPPLY	AC 220,380,440,460,480V x 3ø x 60 Hz	
OPERATING METHOD	P.B type ON . FL	
WEIGHT	245KG	
I-BEAM SIZE	100 ~ 175 MM	
H-BEAM SIZE	100 ~ 200 MM	

적용 I-BEAM)

- 1) 지점간 거리: I-200X100X7/10 - 3.0M
- 2) 지점간거리 : I-250X125X7.5/12.5 - 5.0M
- 3) 지점간거리 : I-300X150X10/18.5 - 7.5M
- 4) 지점간거리 : I-450X175X13/26 - 13.2M

적용 H-BEAM)

- 1) 지점간 거리: H-200X100X5.5/8 - 2.5M
- 2) 지점간거리 : H-250X125X6/9 - 4.3M
- 3) 지점간거리 : H-300X150X6.5/9 - 6M
- 4) 지점간거리 : H-450X200X9/14 - 11.7M

TITLE				PROJECTION	
ELECTRIC CHAIN HOIST					
WORK NO	WORK NAME			SCALE	Q' TY
	LK-FDAM-1.9S			1/1	1
DRAWN	CHECKED	REVIEWED	APPROVED	DRAWING NO	
김 창 기					
19.07.31				CODE NO	

REV.NO	DATE	REVISION	DESCRIPTION	DRAWN	CHECKED	APPROVED