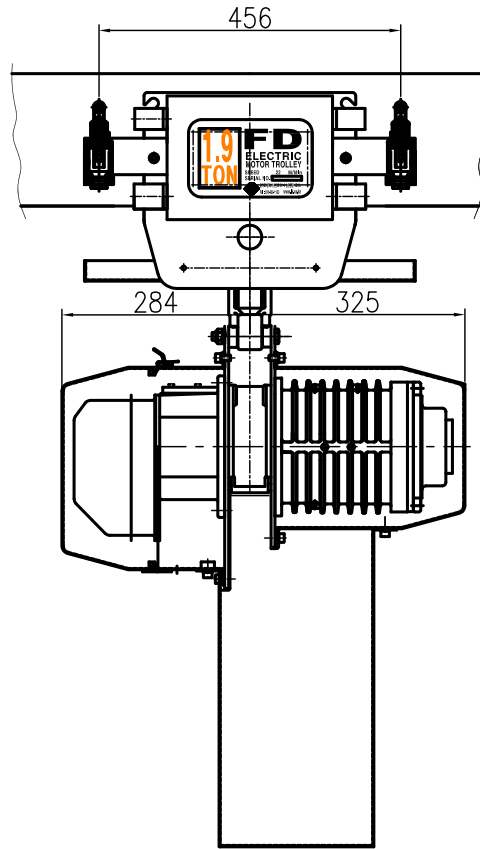
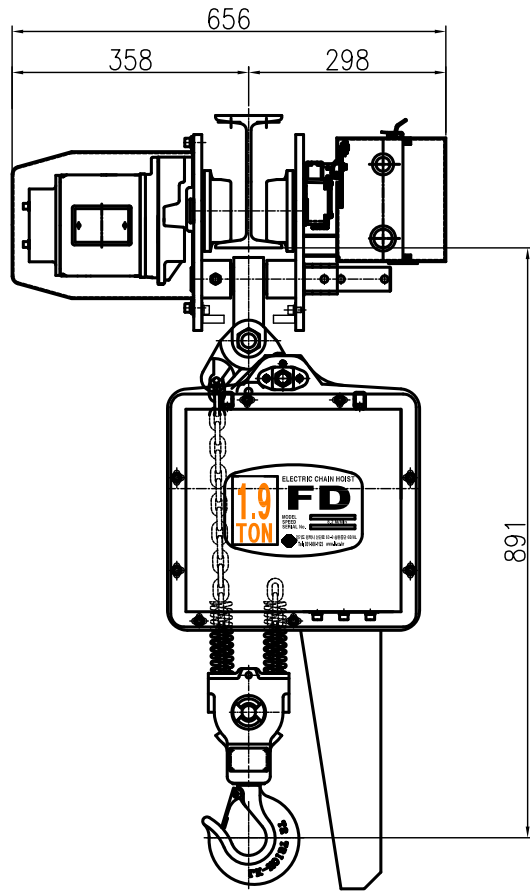


ON 5MG

L K HOIST

NO	DESCRIPTION	SIZE	MAT' L	Q' TY	WT (kg)	REMARKS



SPECIFICATION			
HOISTING LOAD	1.9 TON		
TESTING LOAD	2.375 TON		
LIFTING HEIGHT	20 M		
HOISTING	SPEED	4.1 M/MIN	
	MOTOR	1.8 KW x 4p	
TRAVERSING	SPEED	16 M/MIN	10.5 M/MIN
	MOTOR	0.4 KW x 4p	0.3 KW x 6p
POWER SUPPLY	AC 220,380,440,460,480V x 3φ x 60 Hz		
OPERATING METHOD	P.B type ON . FL		
LOAD CHAIN	ø7.1 X 21 (2FALL)		
WEIGHT	180 KG		
I-BEAM SIZE	100 ~ 175 MM		
H-BEAM SIZE	100 ~ 200 MM		

적용 I-BEAM)

- 1) 지점간 거리: I-200X100X7/10 - 3.0M
- 2) 지점간거리 : I-250X125X7.5/12.5-5.1M
- 3) 지점간거리 : I-300X150X10/18.5-7.7M
- 4) 지점간거리 : I-450X175X13/26-13.5M

적용 H-BEAM)

- 1) 지점간 거리: I-200X100X5.5/8 - 2.7M
- 2) 지점간거리 : I-250X125X6/9-4.5M
- 3) 지점간거리 : I-300X150X6.5/9-6.0M
- 4) 지점간거리 : I-450X200X9/14-12.0M

TITLE				PROJECTION	
ELECTRIC CHAIN HOIST					
WORK NO	WORK NAME			SCALE	Q' TY
	LK-FDAM-1.9W			1/1	1
DRAWN	CHECKED	REVIEWED	APPROVED	DRAWING NO	
김 창 기				CODE NO	
19.07.31					

REV.NO	DATE	REVISION	DESCRIPTION	DRAWN	CHECKED	APPROVED