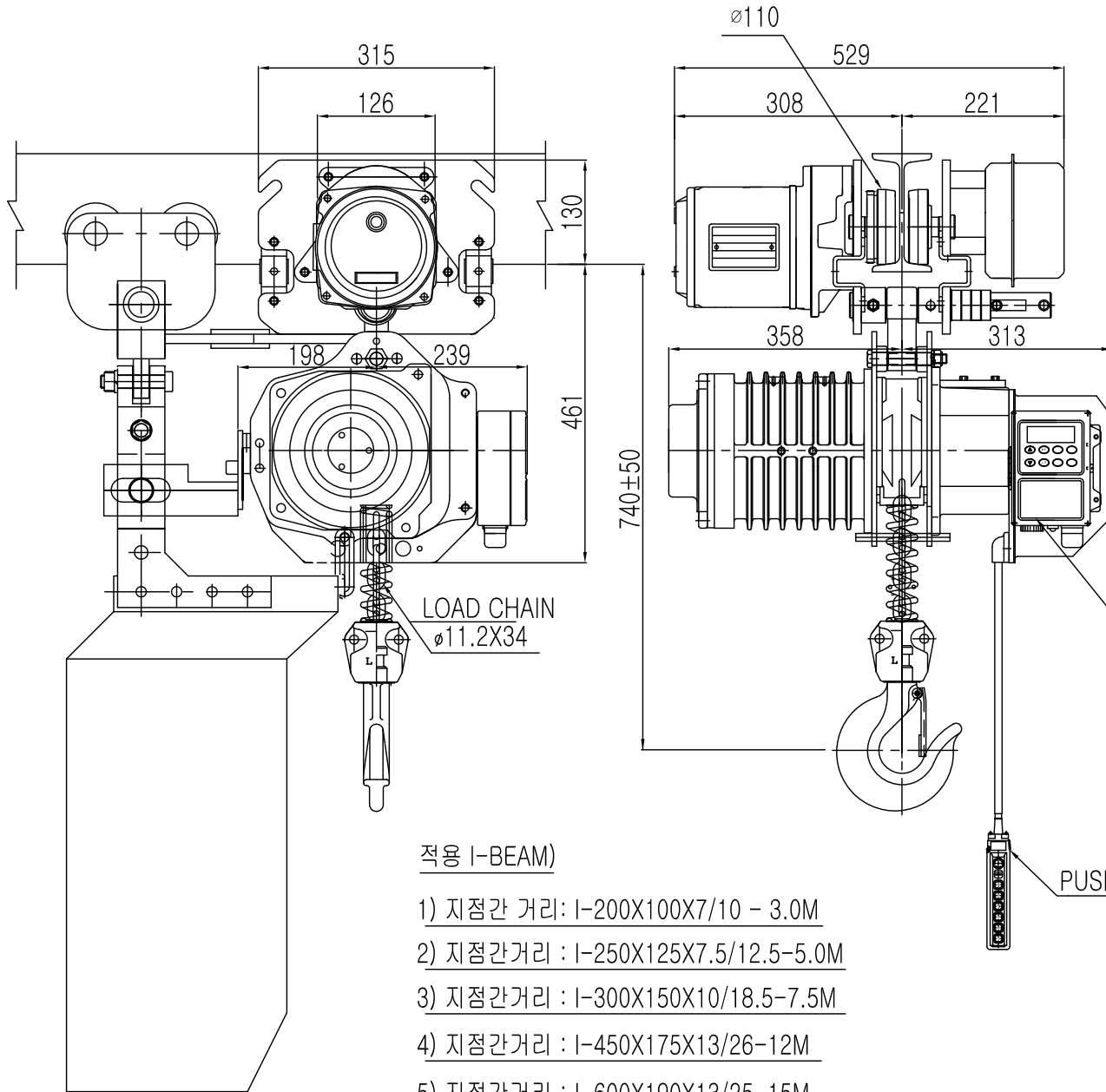


L K HOIST

NO	DESCRIPTION	SIZE	MAT' L	Q' TY	WT (kg)	REMARKS



SPECIFICATION

		LK-DAM-2S		
RATED LOAD	(TON)	2.0		
TESTING LOAD	(TON)	2.5		
LIFTING HEIGHT	(M)	60		
HOISTING	SPEED (M/MIN)	8.1		
	MOTOR (KW)	3.5kw x 4p		
TRAVERSING	SPEED (M/MIN)	21	14	21/7
	MOTOR (KW)	0.75kw x 4p	0.4kw x 6p	0.75/0.25kw x 4/12p
POWER SUPPLY	AC220.380.440.460.480Vx3ø x 60 Hz			
OPERATING METHOD	P.B type ON . FL			
LOAD CHAIN	ø11.2 X 34 (1FALL)			
WEIGHT	(KG)	330KG		
I-BEAM 적용폭	100 ~ 190MM			

적용 I-BEAM)

- 1) 지점간 거리: I-200X100X7/10 - 3.0M
- 2) 지점간거리 : I-250X125X7.5/12.5-5.0M
- 3) 지점간거리 : I-300X150X10/18.5-7.5M
- 4) 지점간거리 : I-450X175X13/26-12M
- 5) 지점간거리 : I-600X190X13/25-15M

NOTE)

- 1)점검 설비를 갖출 것
- 2)인허가 서류를 완성검사시 제출 할 것

TITLE				PROJECTION	
ELECTRIC CHAIN HOIST DAM-2S					
WORK NO	WORK NAME			SCALE	Q' TY
	LK-DAM-2S				1
DRAWN	CHECKED	REVIEWED	APPROVED	DRAWING NO	
김 창 기					
2010.08.01				CODE NO	

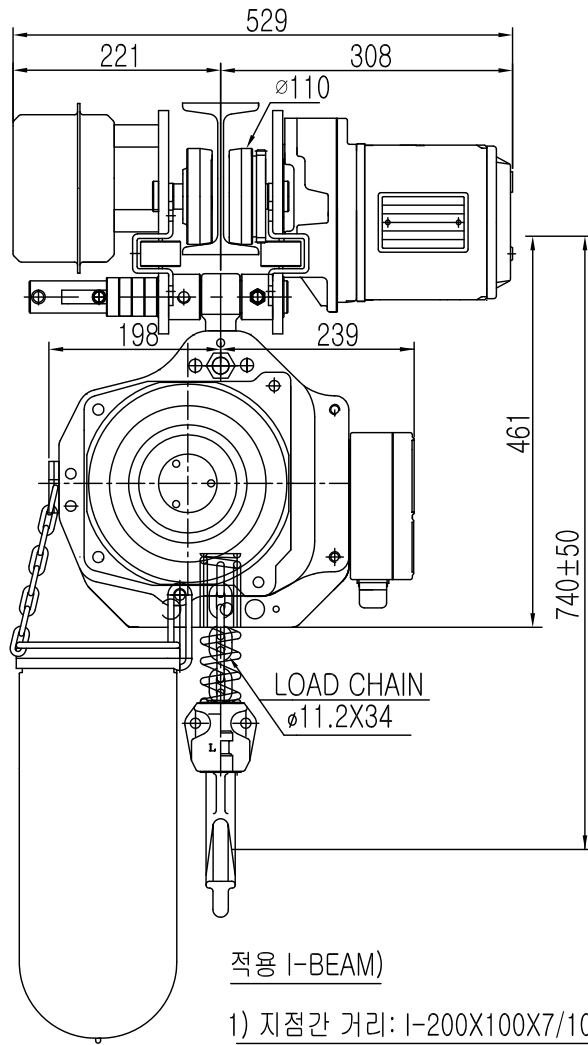


L K HOIST CO., LTD.

REV.NO	DATE	REVISION	DESCRIPTION	DRAWN	CHECKED	APPROVED

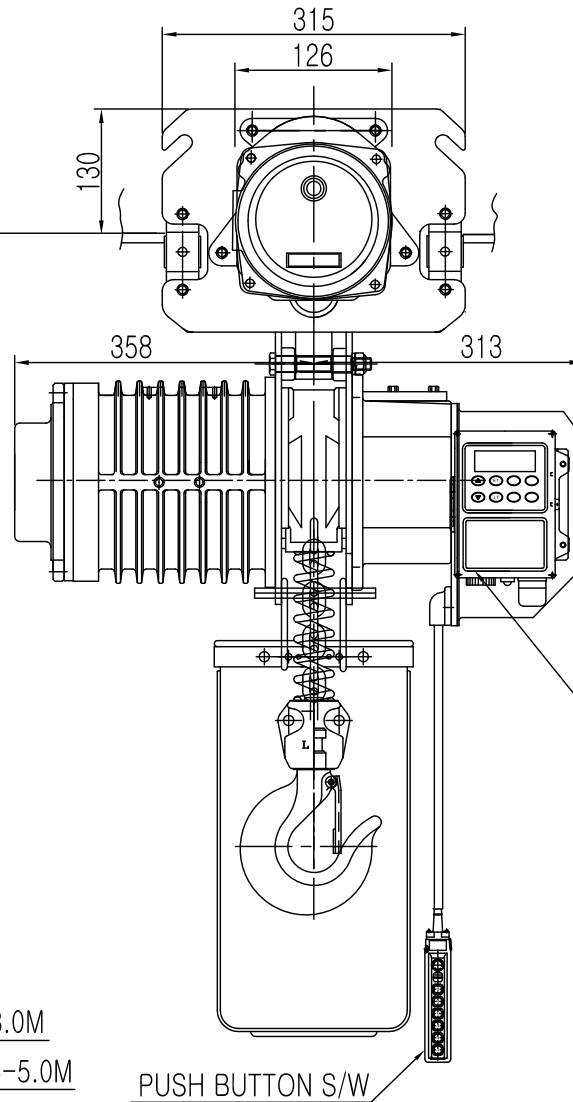
L K HOIST

NO	DESCRIPTION	SIZE	MAT' L	Q' TY	WT (kg)	REMARKS



적용 I-BEAM)

- 1) 지점간 거리: I-200X100X7/10 - 3.0M
- 2) 지점간거리 : I-250X125X7.5/12.5-5.0M
- 3) 지점간거리 : I-300X150X10/18.5-7.5M
- 4) 지점간거리 : I-450X175X13/26-12M
- 5) 지점간거리 : I-600X190X13/25-15M



SPECIFICATION

		LK-DAM-2S		
RATED LOAD (TON)		2.0		
TESTING LOAD (TON)		2.5		
LIFTING HEIGHT (M)		60		
HOISTING	SPEED (M/MIN)	8.1		
	MOTOR (KW)	3.5kw x 4p		
TRAVERSING	SPEED (M/MIN)	21	14	21/7
	MOTOR (KW)	0.75kw x 4p	0.4kw x 6p	0.75/0.25kw x 4/12p
POWER SUPPLY		AC220.380.440.460.480Vx3ø x 60 Hz		
OPERATING METHOD		P.B type ON . FL		
LOAD CHAIN		ø11.2 X 34 (1FALL)		
WEIGHT (KG)		330KG		
I-BEAM 적용폭		100 ~ 190MM		

NOTE)

- 1)점검 설비를 갖출 것
- 2)인허가 서류를 완성검사시 제출 할 것

TITLE		ELECTRIC CHAIN HOIST			PROJECTION	
WORK NO		WORK NAME	LK-DAM-2S		SCALE	Q' TY
					N/S	1
DRAWN	CHECKED	REVIEWED	APPROVED	DRAWING NO		
김 창 기				CODE NO		
2010.08.01						



L K HOIST CO., LTD.

REV.NO	DATE	REVISION DESCRIPTION	DRAWN	CHECKED	APPROVED