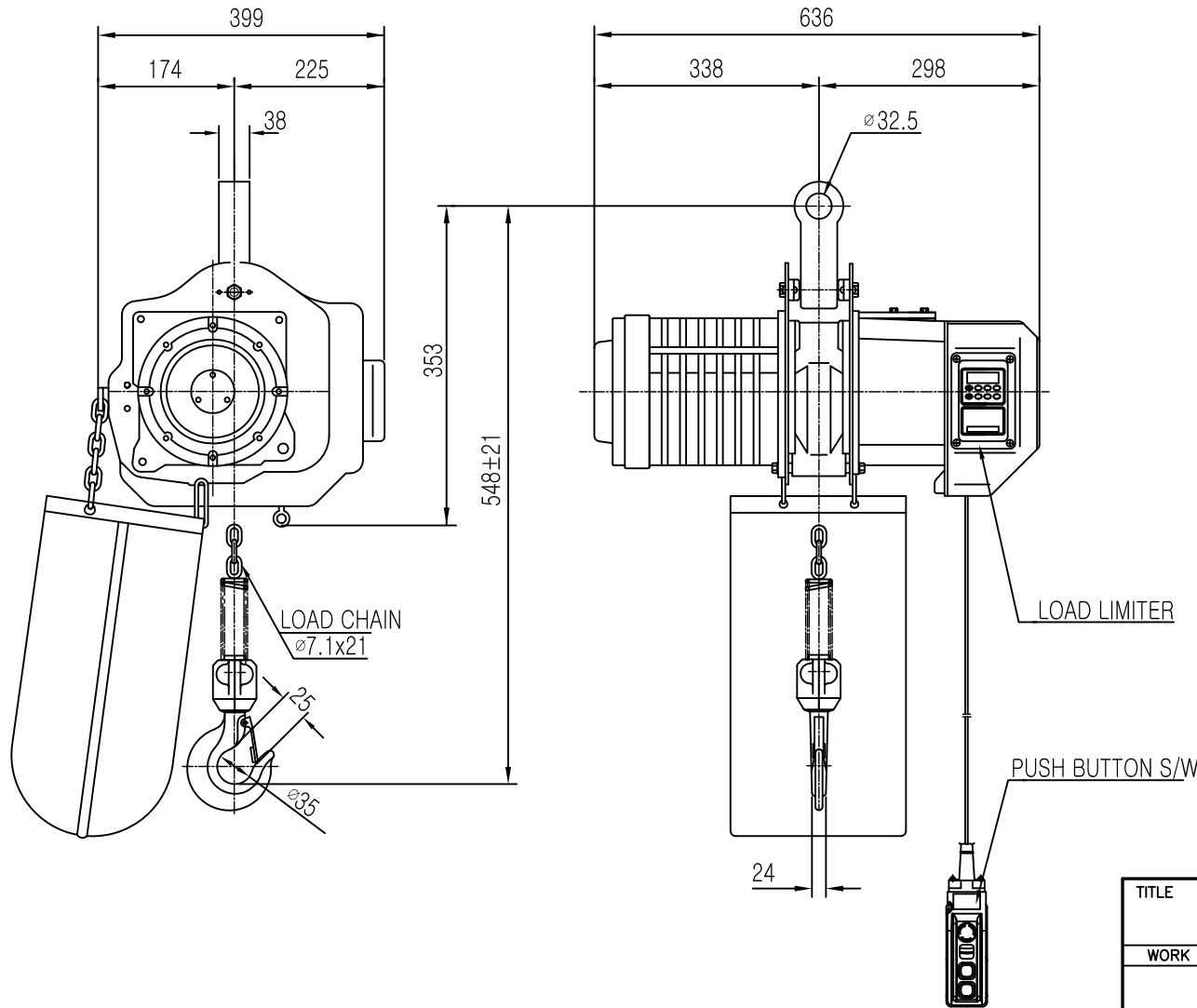


ON 9MG

L K HOIST

| NO | DESCRIPTION | SIZE | MAT' L | Q' TY | WT (kg) | REMARKS |
|----|-------------|------|--------|-------|---------|---------|
| | | | | | | |



| SPECIFICATION | | |
|------------------|------------------------------------|-------------------|
| HOISTING LOAD | 0.5 | TON |
| TESTING LOAD | 0.625 | TON |
| LIFTING HEIGHT | 50 | M |
| HOISTING | SPEED | 8.2/2.8 M/MIN |
| | MOTOR | 1.8/0.7 KW x 2/6P |
| TRAVERSING | SPEED | - M/MIN |
| | MOTOR | - KW x - SET |
| POWER SUPPLY | AC220,380,440,460,480Vx 3ø x 60 Hz | |
| OPERATING METHOD | P.B type ON . FL | |
| LOAD CHAIN | ø7.1 x 21 (1FALL) | |
| WIEGHT | 132 KG | |

NOTE)

- 1) 점검 설비를 갖출것.
- 2) 인허가 서류를 완성검사시 제출할것.

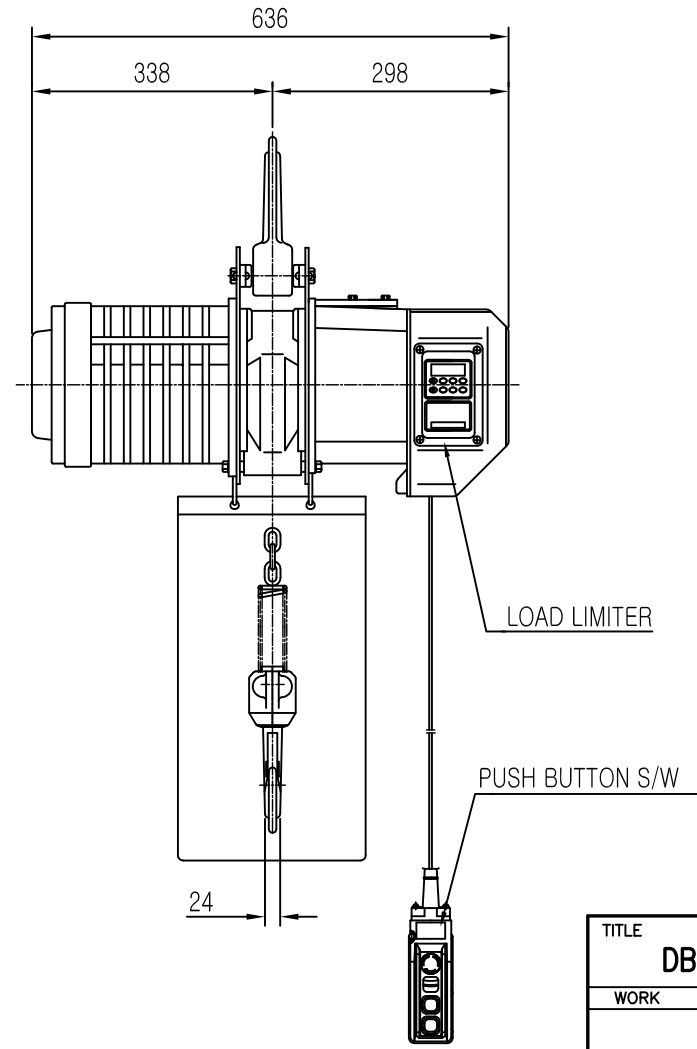
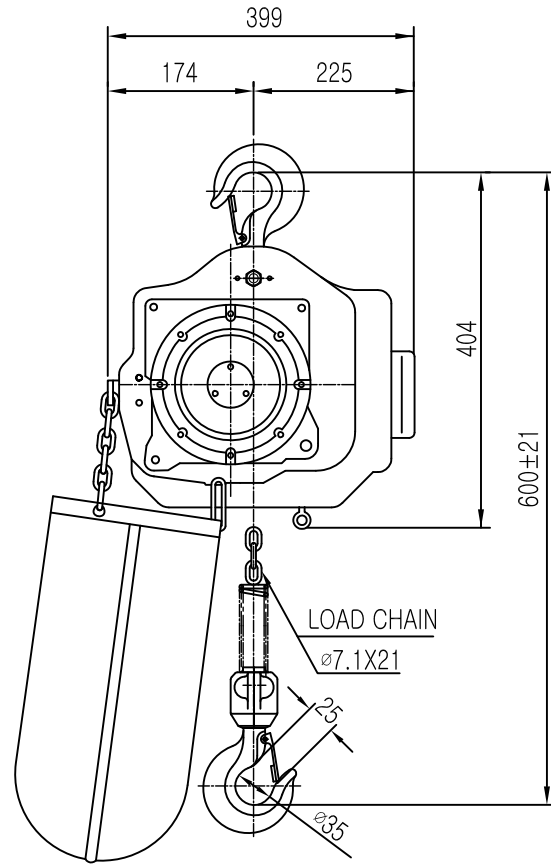
| TITLE | | | | | PROJECTION | |
|------------------------------|----------------|----------|----------|------------|------------|-------|
| DB-0.5S ELECTRIC CHAIN HOIST | | | | | | |
| WORK NO | WORK NAME | | | | SCALE | Q' TY |
| | CONNECTOR TYPE | | | | N S | 1 |
| DRAWN | CHECKED | REVIEWED | APPROVED | DRAWING NO | | |
| 김창기 | | | | | | |
| 2010.08.01 | | | | | | |
| | | | | | | |

| REV.NO | DATE | REVISION | DESCRIPTION | DRAWN | CHECKED | APPROVED |
|--------|------|----------|-------------|-------|---------|----------|
| | | | | | | |

ON 9MD

L K HOIST

| NO | DESCRIPTION | SIZE | MAT' L | Q' TY | WT (kg) | REMARKS |
|----|-------------|------|--------|-------|---------|---------|
| | | | | | | |



| SPECIFICATION | | |
|------------------|------------------------------------|-------------------|
| HOISTING LOAD | 0.5 | TON |
| TESTING LOAD | 0.625 | TON |
| LIFTING HEIGHT | 50 | M |
| HOISTING | SPEED | 8.2/2.8 M/MIN |
| | MOTOR | 1.8/0.7 KW x 2/6P |
| TRAVERSING | SPEED | - M/MIN |
| | MOTOR | - KW x - SET |
| POWER SUPPLY | AC220,380,440,460,480Vx 3φ x 60 Hz | |
| OPERATING METHOD | P.B type ON . FL | |
| LOAD CHAIN | φ7.1 x 21 (1FALL) | |
| WIEGHT | 132 KG | |

NOTE)

- 1) 점검 설비를 갖출것.
- 2) 인허가 서류를 완성검사시 제출할것.

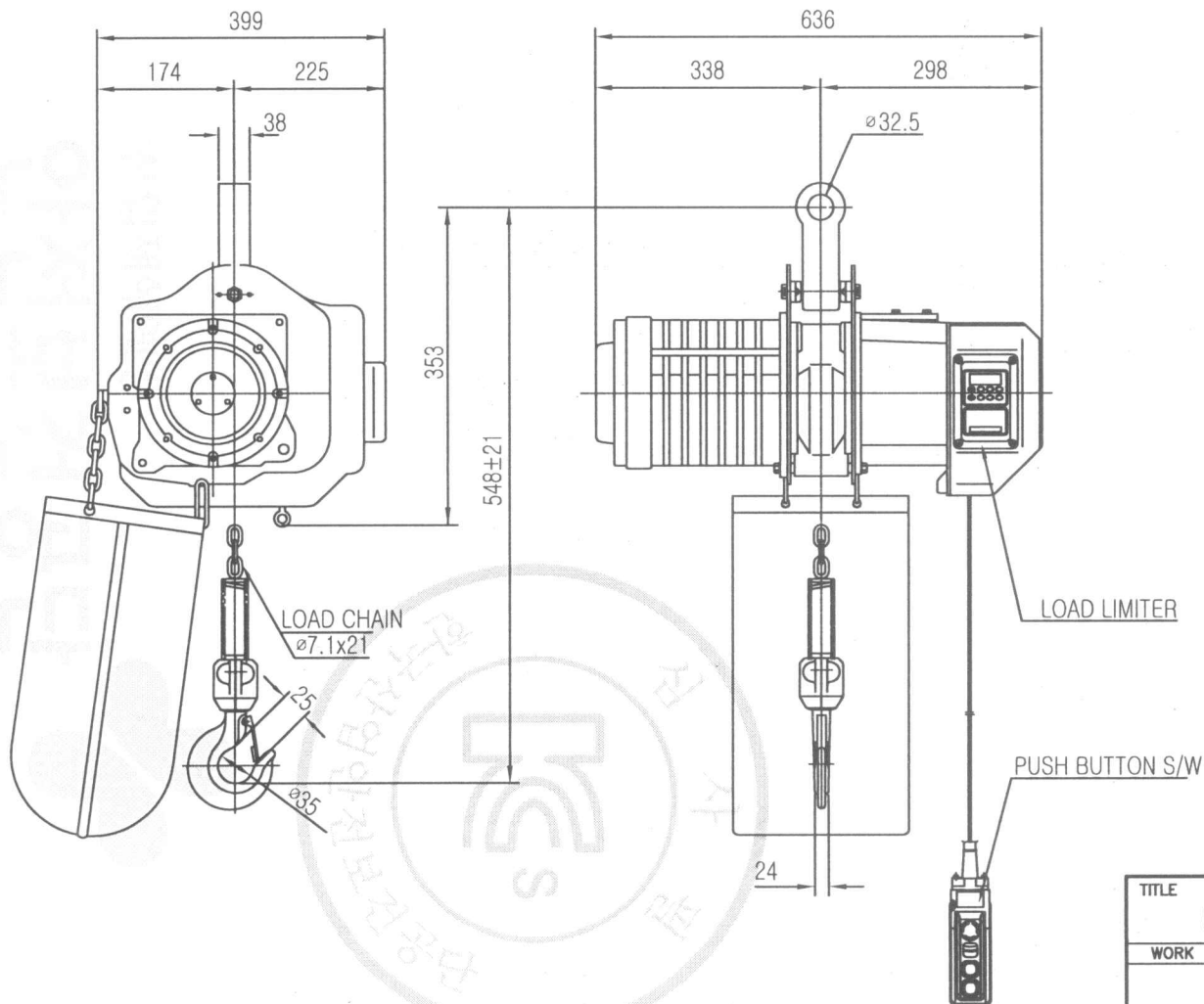
| TITLE | | | | | PROJECTION | |
|-------------------------------------|-----------|----------|----------|------------|------------|-------|
| DB-0.5S ELECTRIC CHAIN HOIST | | | | | | |
| WORK NO | WORK NAME | | | | SCALE | Q' TY |
| | HOOK TYPE | | | | N S | 1 |
| DRAWN | CHECKED | REVIEWED | APPROVED | DRAWING NO | | |
| 김 창 기 | | | | | | |
| 2010.08.01 | | | | | | |
| | | | | | | |

| REV.NO | DATE | REVISION | DESCRIPTION | DRAWN | CHECKED | APPROVED |
|--------|------|----------|-------------|-------|---------|----------|
| | | | | | | |

L K HOIST

ON 5MC

| NO | DESCRIPTION | SIZE | MAT L | Q' TY | WT (kg) | REMARKS |
|----|-------------|------|-------|-------|---------|---------|
| | | | | | | |



| SPECIFICATION | | |
|------------------|------------------------------------|-------------------|
| HOISTING LOAD | 0.5 | TON |
| TESTING LOAD | 0.625 | TON |
| LIFTING HEIGHT | 50 | M |
| HOISTING | SPEED | 8.2/2.8 M/MIN |
| | MOTOR | 1.8/0.7 KW x 2/6P |
| TRAVERSING | SPEED | - M/MIN |
| | MOTOR | - KW x - SET |
| POWER SUPPLY | AC220,380,440,460,480Vx 3ø x 60 Hz | |
| OPERATING METHOD | P.B type ON . FL | |
| LOAD CHAIN | ø7.1 x 21 (1FALL) | |
| WIEGHT | 132 KG | |

NOTE)

- 1) 점검 설비를 갖출것.
- 2) 인허가 서류를 완성검사시 제출할것.

물품별 제 및 배품금지

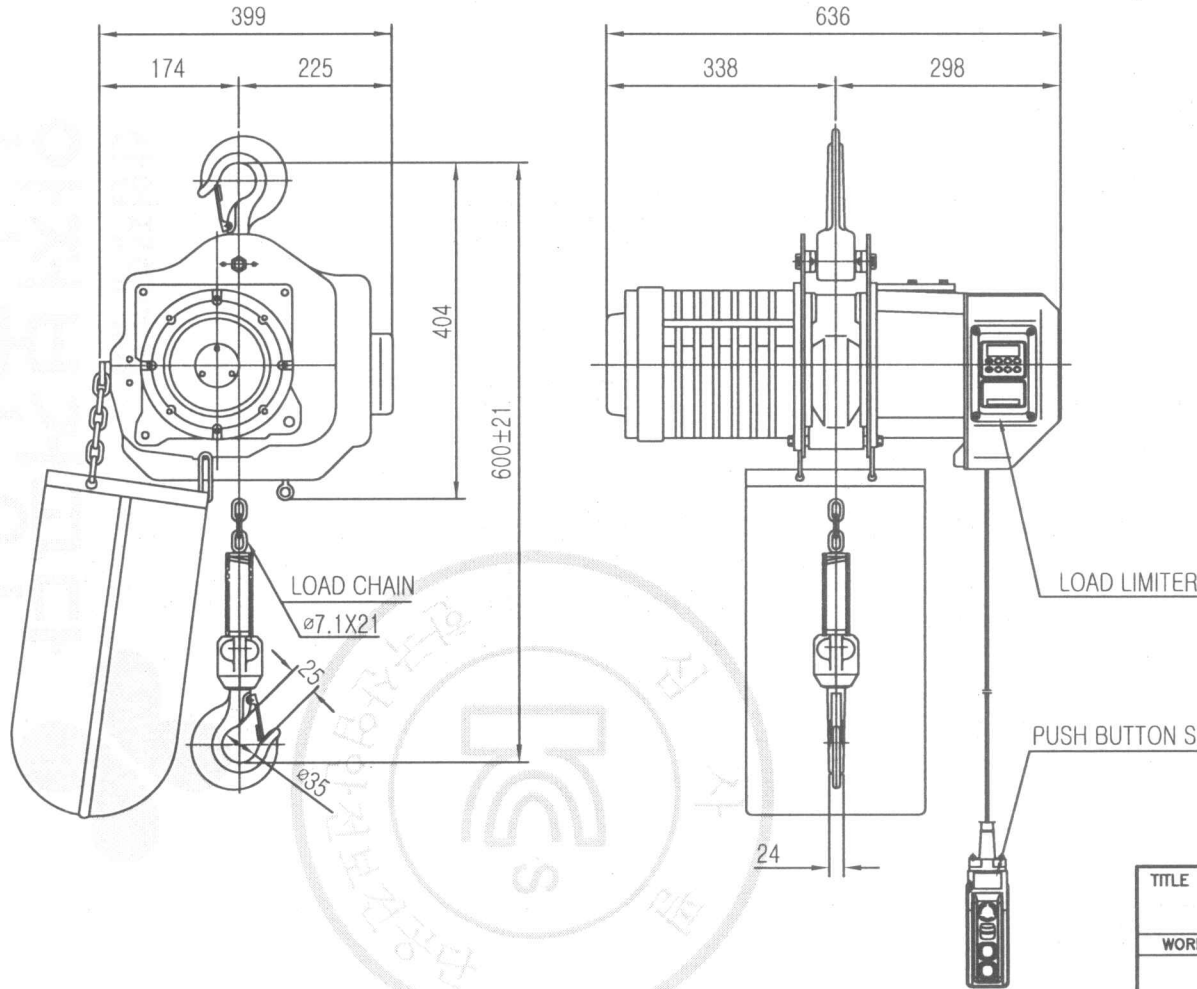
| REV.NO | DATE | REVISION | DESCRIPTION | DRAWN | CHECKED | APPROVED |
|--------|------|----------|-------------|-------|---------|----------|
| | | | | | | |

| TITLE | | | | | PROJECTION | | |
|------------------------------|----------------|----------|----------|------------|------------|-------|--|
| DB-0.5S ELECTRIC CHAIN HOIST | | | | | | | |
| WORK NO | WORK NAME | | | | SCALE | Q' TY | |
| | CONNECTOR TYPE | | | | N S | 1 | |
| DRAWN | CHECKED | REVIEWED | APPROVED | DRAWING NO | | | |
| 김창기 | | | | | | | |
| 2010.08.01 | | | | | | | |
| L K HOIST CO., LTD. | | | | | | | |

ON GMD

L K HOIST

| NO | DESCRIPTION | SIZE | MAT' L | Q' TY | WT (kg) | REMARKS |
|----|-------------|------|--------|-------|---------|---------|
| | | | | | | |



| SPECIFICATION | | |
|------------------|------------------------------------|-------------------|
| HOISTING LOAD | 0.5 | TON |
| TESTING LOAD | 0.625 | TON |
| LIFTING HEIGHT | 50 | M |
| HOISTING | SPEED | 8.2/2.8 M/MIN |
| | MOTOR | 1.8/0.7 KW x 2/6P |
| TRAVERSING | SPEED | - M/MIN |
| | MOTOR | - KW x - SET |
| POWER SUPPLY | AC220,380,440,460,480Vx 3ø x 60 Hz | |
| OPERATING METHOD | P.B type ON . FL | |
| LOAD CHAIN | ø7.1 x 21 (1FALL) | |
| WIEGHT | 132 KG | |

NOTE)

- 1) 점검 설비를 갖출것.
- 2) 인허가 서류를 완성검사시 제출할것.

| TITLE | | | | | PROJECTION | |
|-------------------------------------|-----------|----------|----------|------------|------------|-------|
| DB-0.5S ELECTRIC CHAIN HOIST | | | | | | |
| WORK NO | WORK NAME | | | | SCALE | Q' TY |
| | HOOK TYPE | | | | N S | 1 |
| DRAWN | CHECKED | REVIEWED | APPROVED | DRAWING NO | | |
| 김 창 기 | | | | | | |
| 2010.08.01 | | | | | | |
| | | | | | | |

| REV.NO | DATE | REVISION | DESCRIPTION | DRAWN | CHECKED | APPROVED |
|--------|------|----------|-------------|-------|---------|----------|
| | | | | | | |

금속기계 및 배포금기