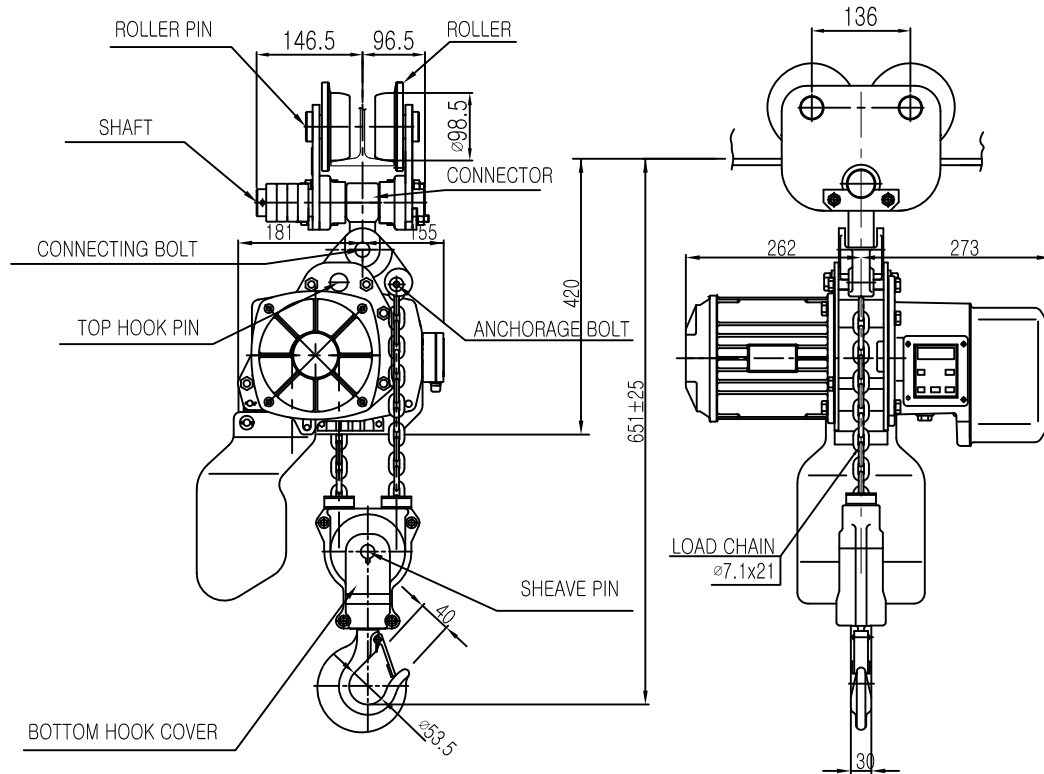


L K HOIST

ON ㉠MD

NO	DESCRIPTION	SIZE	MAT' L	Q' TY	WT (kg)	REMARKS



제조일 : 0000-00-00
 형식번호 : 00-000-00
 정격하중 : 00-000-00
 제조자 : (주)LK

SPECIFICATION

		LTP-2W	
RATED LOAD	(TON)	2.0	
TESTING LOAD	(TON)	2.5	
LIFTING HEIGHT	(M)	50	
HOISTING	SPEED (M/MIN)	4.1	2.7
	MOTOR (KW)	1.8kw x 4p	1.2kw x 6p
TRAVERSING	SPEED (M/MIN)	-	-
	MOTOR (KW)	-	-
POWER SUPPLY	AC220.380.440.460,480Vx3φ x 60 Hz		
OPERATING METHOD	P.B type ON . FL		
LOAD CHAIN	φ7.1 X 21 (2FALL)		
WEIGHT	(KG)	192	
I-BEAM 적용폭	100 ~ 175MM		

NOTE)

- 1) 점검 설비를 갖출 것
- 2) 인허가 서류를 완성검사시 제출 할 것

적용 I-BEAM)

- 1) I- 200 X100 X7/10 - 3.0M
- 2) I- 250 X125 X7.5/12.5 - 5.0M
- 3) I- 300 X150 X10/18.5 - 7.5M
- 4) I- 450 X175 X13/26 - 12M

TITLE				PROJECTION	
CHAIN HOIST LTP-2W					
WORK NO	WORK NAME			SCALE	Q' TY
				N S	1
DRAWN	CHECKED	REVIEWED	APPROVED	DRAWING NO	
김창기					
2010.07.15					

REV.NO	DATE	REVISION	DESCRIPTION	DRAWN	CHECKED	APPROVED



L K HOIST CO., LTD.