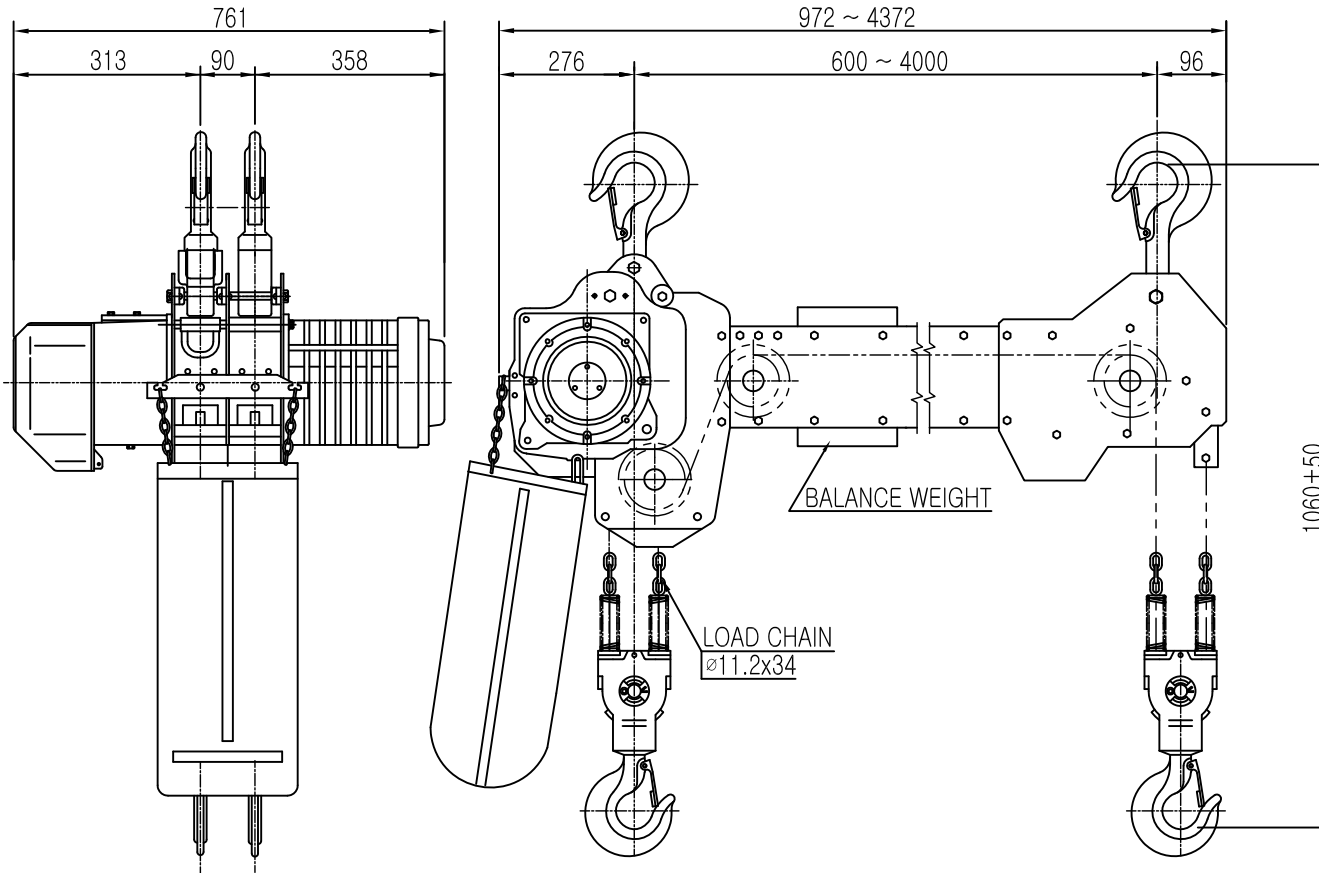


# L K HOIST

ON ㉠

NO	DESCRIPTION	SIZE	MAT' L	Q' TY	WT (kg)	REMARKS



SPECIFICATION		
RATED	5.0	TON
TESTING LOAD	6.25	TON
LIFTING HEIGHT	50	M
HOISTING	SPEED	3.25 M/MIN
	MOTOR	3.5 KW x 4P
TRAVERSING	SPEED	-
	MOTOR	-
POWER SUPPLY	AC220,380,440,460,480 V x 3 $\varnothing$ x 60 Hz	
OPERATING METHOD	P.B type ON . FL	
LOAD CHAIN	$\varnothing 11.2 \times 34$ (2FALL)	
WIEGHT	940 KG	

NOTE)

- 1) 점검 설비를 갖출것.
- 2) 인허가 서류를 완성검사시 제출할것.

REV.NO	DATE	REVISION	DESCRIPTION	DRAWN	CHECKED	APPROVED

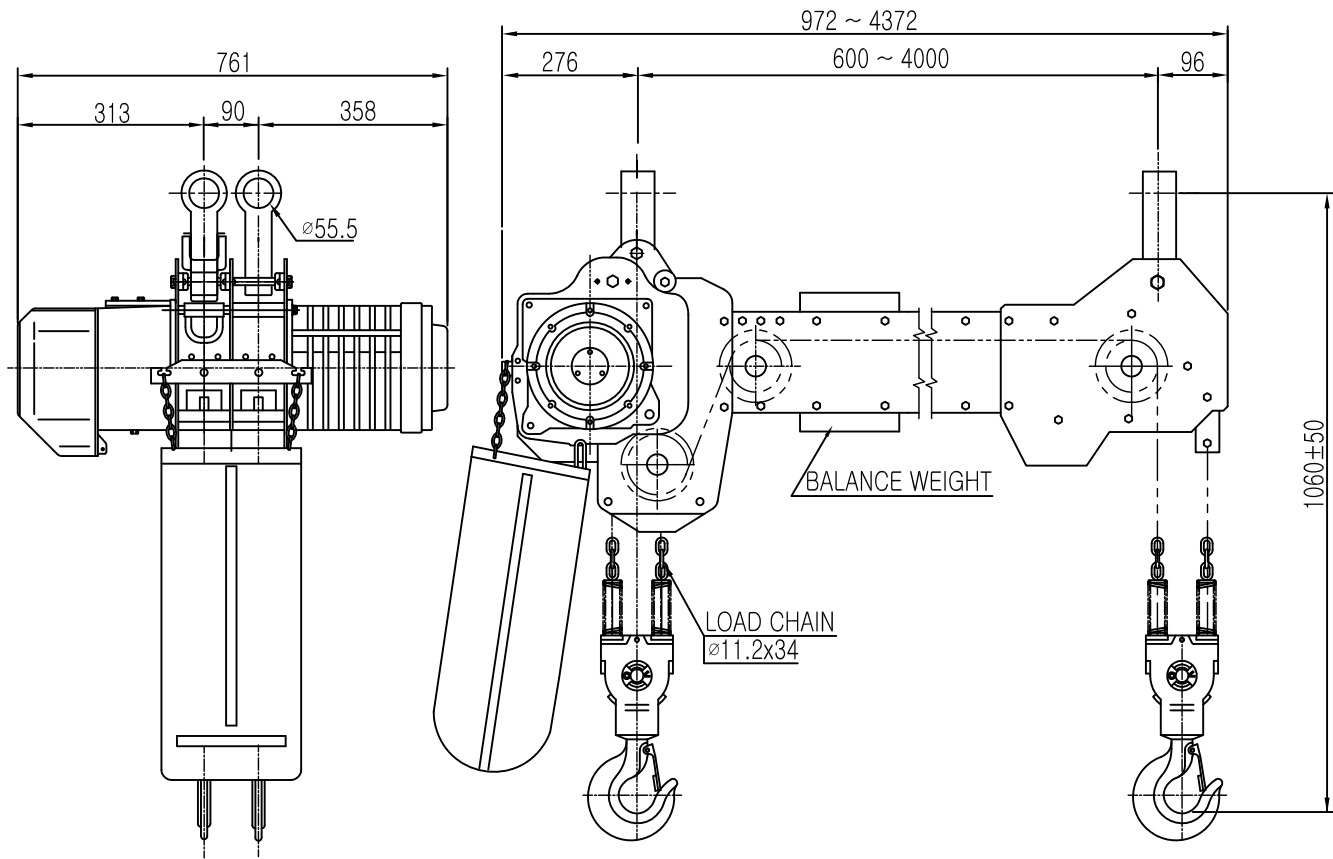
TITLE				PROJECTION	
DHDA-5W ELECTRIC CHAIN HOIST					
WORK NO	WORK NAME		SCALE	Q' TY	
	HOOK TYPE		N.S	1	
DRAWN	CHECKED	REVIEWED	APPROVED	DRAWING NO	
김 창 기				CORD NO	
2010.08.01					

**LK** L K HOIST CO., LTD.

ON GMD

# L K HOIST

NO	DESCRIPTION	SIZE	MAT' L	Q' TY	WT (kg)	REMARKS



SPECIFICATION		
RATED	5.0	TON
TESTING LOAD	6.25	TON
LIFTING HEIGHT	50	M
HOISTING	SPEED	3.25 M/MIN
	MOTOR	3.5 KW x 4P
TRAVERSING	SPEED	-
	MOTOR	-
POWER SUPPLY	AC220,380,440,460,480 V x 3ø x 60 Hz	
OPERATING METHOD	P.B type ON . FL	
LOAD CHAIN	ø11.2 x 34 (2FALL)	
WIEGHT	947 KG	

**NOTE)**

- 1) 점검 설비를 갖출것.
- 2) 인허가 서류를 완성검사시 제출할것.

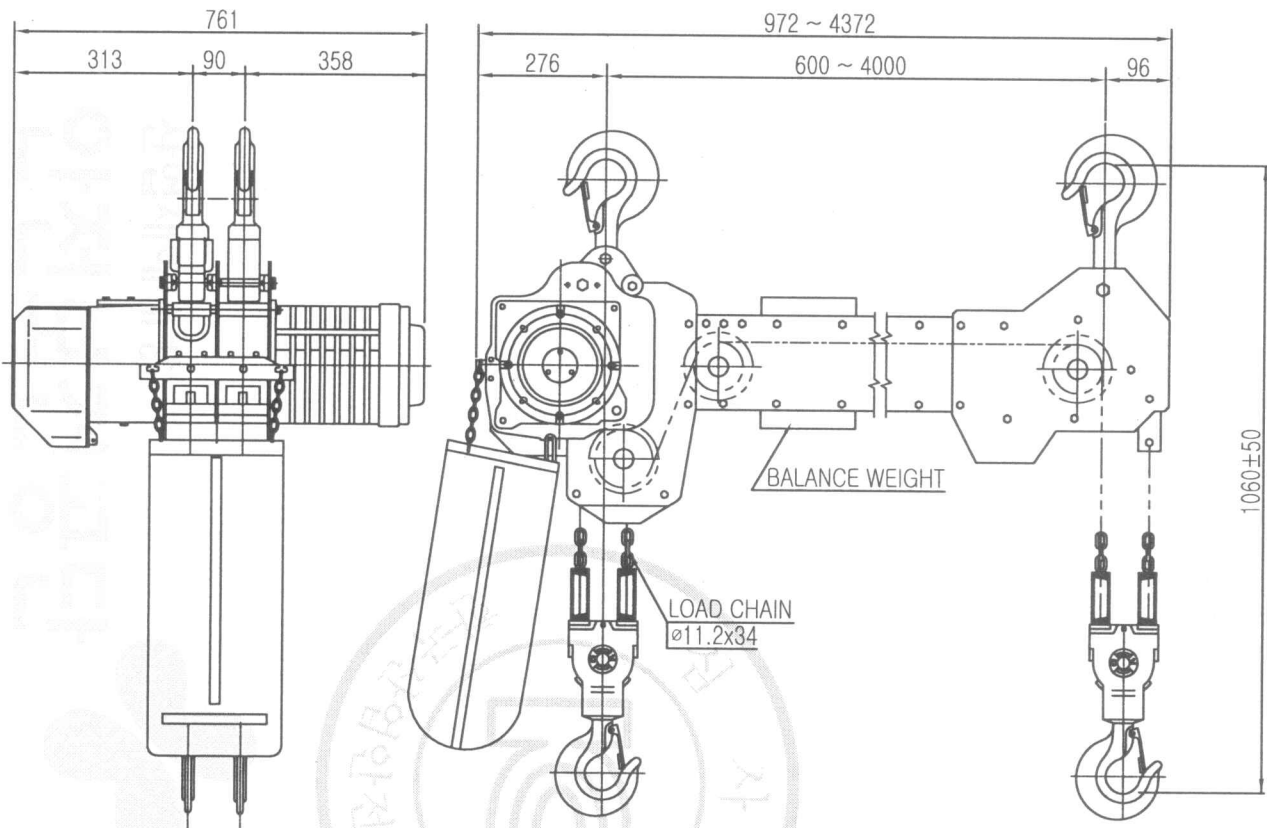
REV.NO	DATE	REVISION	DESCRIPTION	DRAWN	CHECKED	APPROVED

TITLE				DHDA-5W ELECTRIC CHAIN HOIST		PROJECTION	
WORK NO				WORK NAME			
CONNECTOR TYPE				SCALE		Q' TY	
				N.S		1	
DRAWN	CHECKED	REVIEWED	APPROVED	DRAWING NO			
김창기				CORD NO			
2010.08.01							

ON GMD

# L K HOIST

NO	DESCRIPTION	SIZE	MAT'L	Q'TY	WT (kg)	REMARKS



SPECIFICATION		
RATED	5.0	TON
TESTING LOAD	6.25	TON
LIFTING HEIGHT	50	M
HOISTING	SPEED	3.25 M/MIN
	MOTOR	3.5 KW x 4P
TRAVERSING	SPEED	-
	MOTOR	-
POWER SUPPLY	AC220,380,440,460,480 V x 3ø x 60 Hz	
OPERATING METHOD	P.B type ON . FL	
LOAD CHAIN	ø11.2 x 34 (2FALL)	
WIEGHT	940 KG	

**NOTE)**

- 1) 점검 설비를 갖출것.
- 2) 인허가 서류를 완성검사시 제출할것.

물범복제 및 배포금지

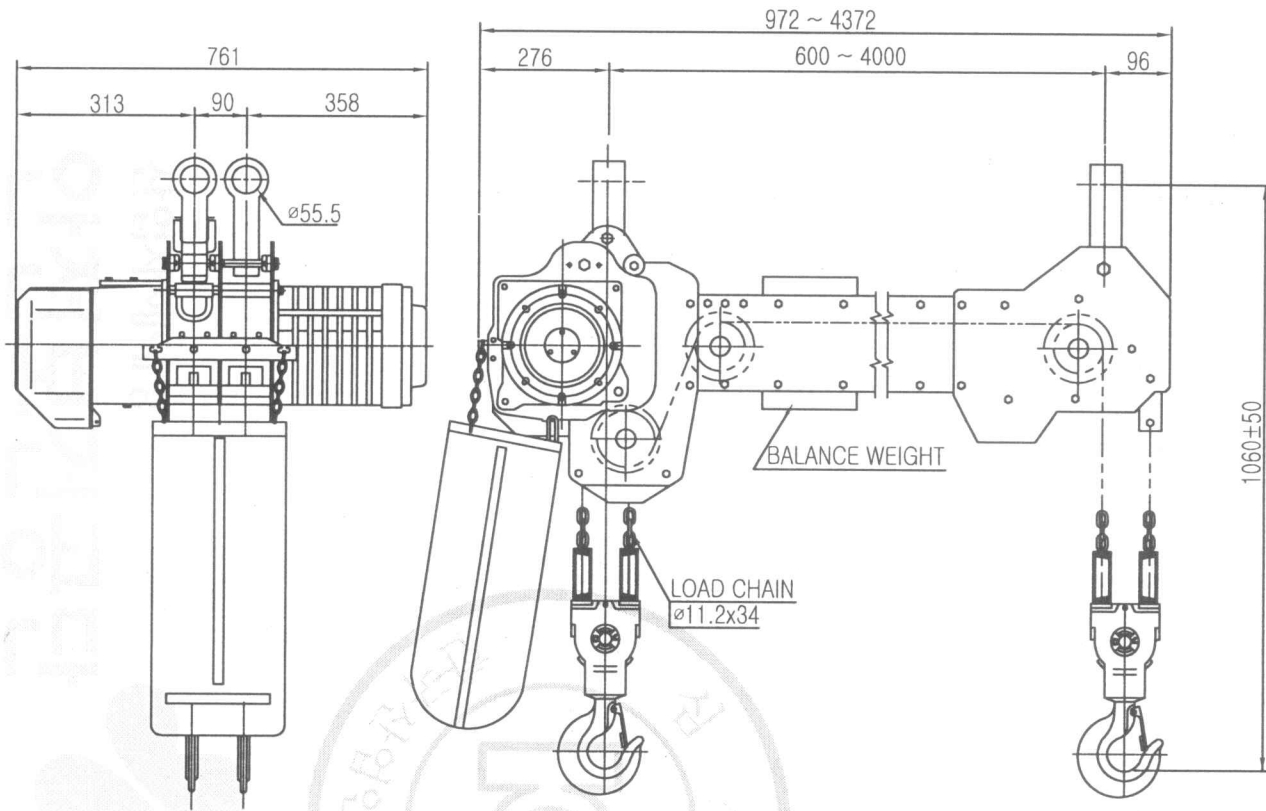
REV.NO	DATE	REVISION	DESCRIPTION	DRAWN	CHECKED	APPROVED

TITLE					PROJECTION	
DHDA-5W ELECTRIC CHAIN HOIST						
WORK NO	WORK NAME				SCALE	Q' TY
	HOOK TYPE				N.S	1
DRAWN	CHECKED	REVIEWED	APPROVED	DRAWING NO		
김창기				CORD NO		
2010.08.01						
L K HOIST CO., LTD.						

ON GMD

# L K HOIST

NO	DESCRIPTION	SIZE	MAT L	Q' TY	WT (kg)	REMARKS



SPECIFICATION		
RATED	5.0	TON
TESTING LOAD	6.25	TON
LIFTING HEIGHT	50	M
HOISTING	SPEED	3.25 M/MIN
	MOTOR	3.5 KW x 4P
TRAVERSING	SPEED	-
	MOTOR	-
POWER SUPPLY	AC220,380,440,460,480 V x 3ø x 60 Hz	
OPERATING METHOD	P.B type ON . FL	
LOAD CHAIN	ø11.2 x 34 (2FALL)	
WIEGHT	947 KG	

**NOTE)**

- 1) 점검 설비를 갖출것.
- 2) 인허가 서류를 완성검사시 제출할것.

물범복제 및 배포금지

TITLE					PROJECTION	
DHDA-5W ELECTRIC CHAIN HOIST						
WORK NO	WORK NAME				SCALE	Q' TY
	CONNECTOR TYPE				N.S	1
DRAWN	CHECKED	REVIEWED	APPROVED	DRAWING NO		
김창기				CORD NO		
2010.08.01						
L K HOIST CO., LTD.						

REV.NO	DATE	REVISION	DESCRIPTION	DRAWN	CHECKED	APPROVED