

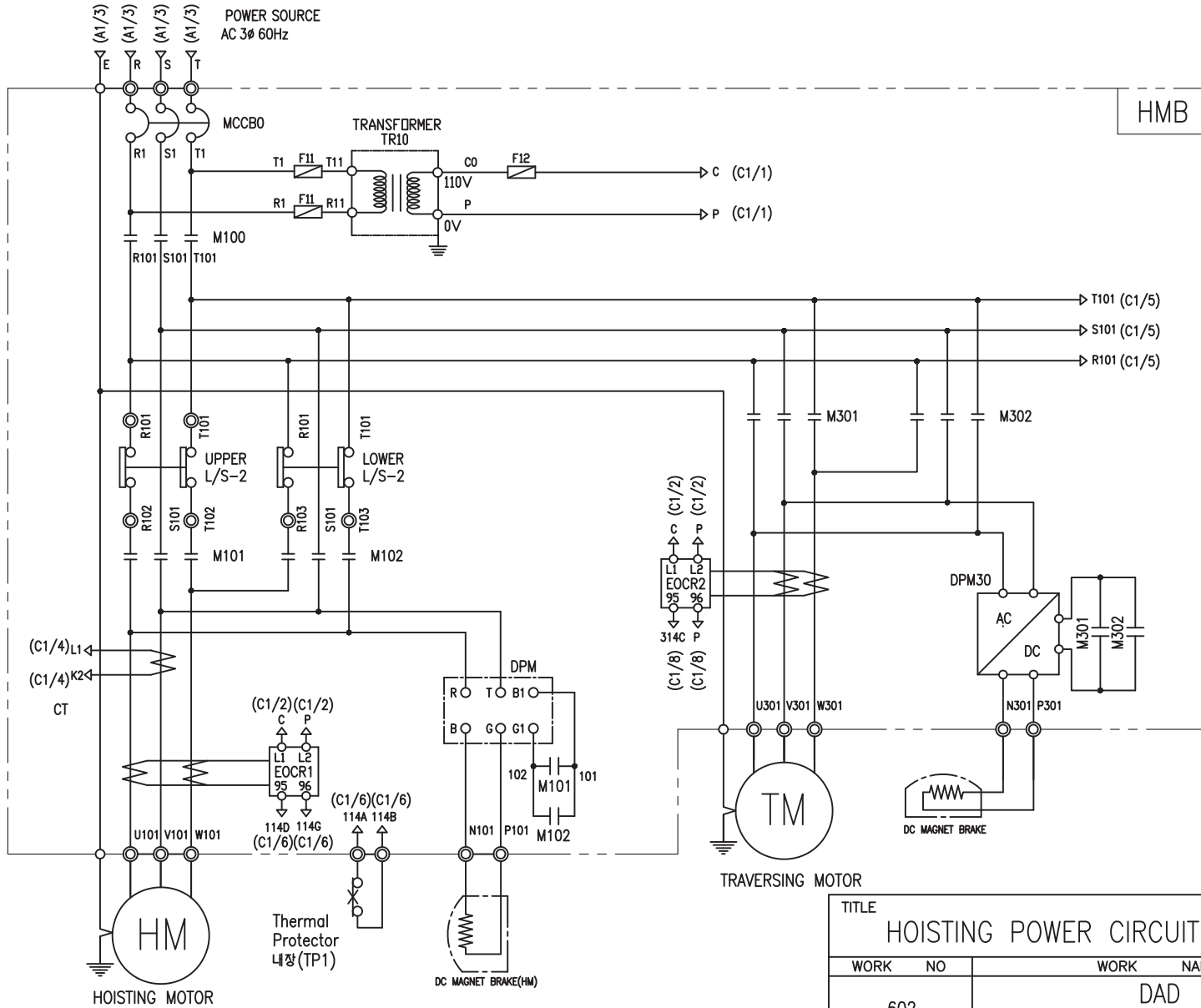
TRAVELLING POWER
SUPPLY SYSTEM
TB1(Trolley Bar
or Festoon Type)



(B1/3) (B1/3) (B1/3) (B1/3)
(B2/3) (B2/3) (B2/3) (B2/3)
HOISTING & TRAVERSING
POWER

- NOTE-
- 1. - - - - MARKED OWNER SCOPE
 - 2. ——— MARKED CRANE MAKER SCOPE

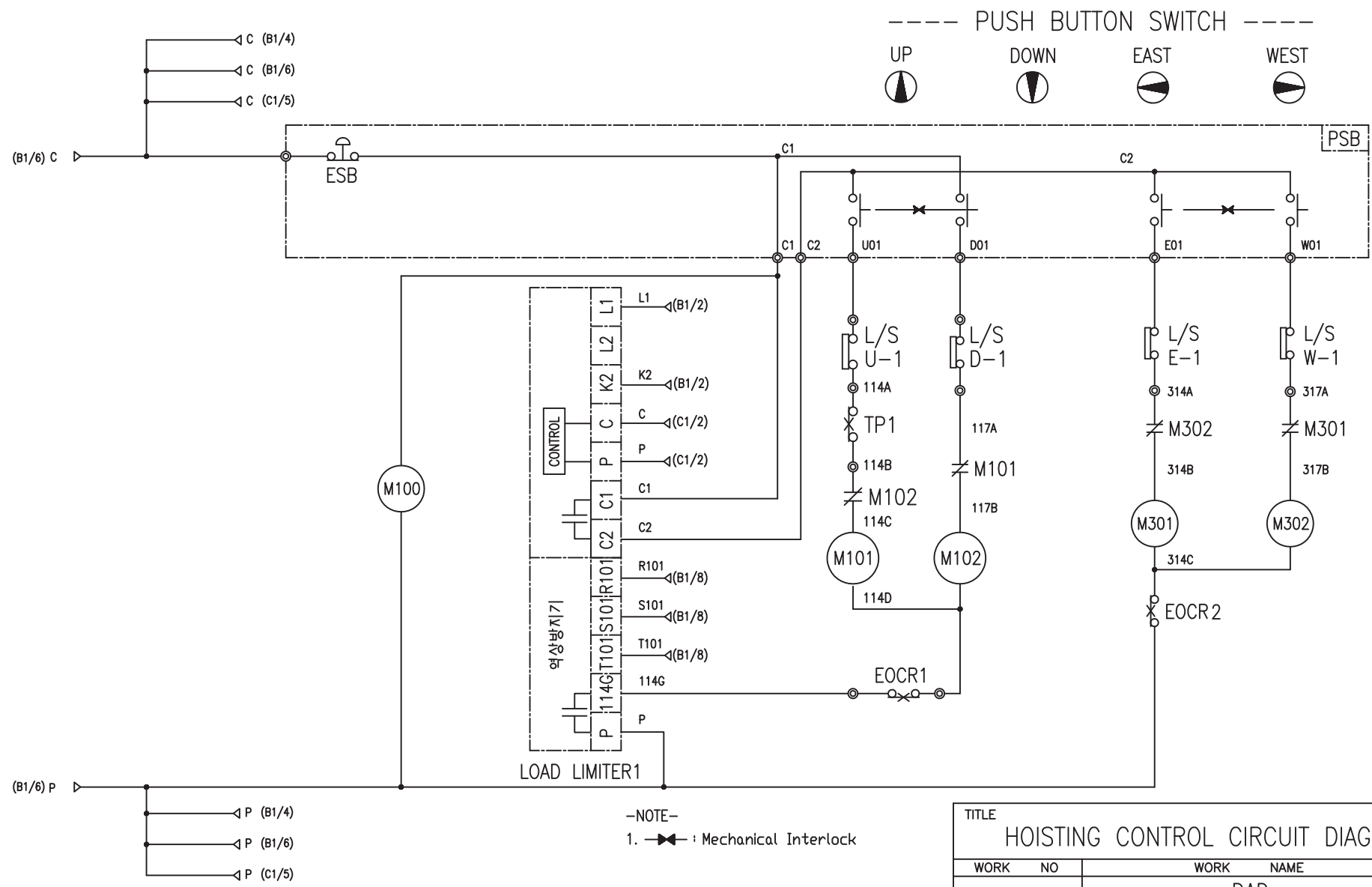
| | | | | | |
|--------------------------------------|------------------|----------|----------|----------------|------------|
| TITLE MAIN POWER CIRCUIT DIAGRAM1 | | | | PROJECTION | |
| WORK NO 601 | WORK NAME DAD | | | SCALE 1/1 | Q' TY 1 |
| 220V, 380V, 440V, 460V, 480V | | | | | |
| DRAWN LEE.G.H 2010.08.06 | CHECKED | REVIEWED | APPROVED | MODEL | |
| | | | | CODE NO | |
| L K HOIST CO., LTD. | | | | | |



HMB

| | | | | | |
|---|---------|------------------------|----------|----------------|---------|
| TITLE HOISTING POWER CIRCUIT DIAGRAM | | | | PROJECTION | |
| WORK NO 602 | | WORK NAME DAD | | | |
| | | 220V, 440V, 460V, 480V | | | |
| DRAWN LEE.G.H | CHECKED | REVIEWED | APPROVED | MODEL | |
| 2010.08.06 | | | | CODE NO | CODE_NO |
| L K HOIST CO., LTD. | | | | | |

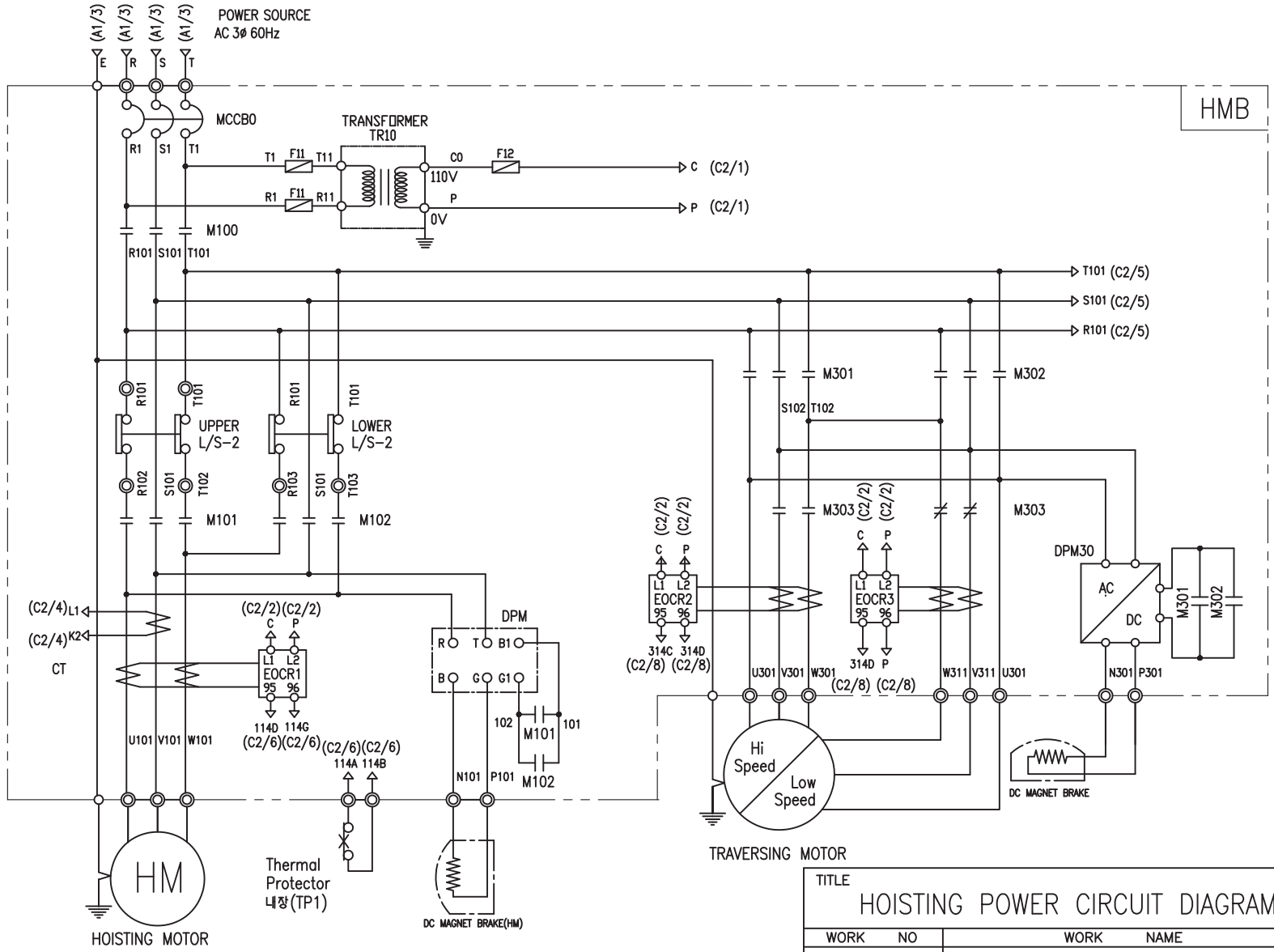
| SPECIFICATION | NO FUSE BREAKER | MAGNET CONTACTOR | TRANSFORMER | SILICON RECTIFIER | 과전류계전기 | FUSE | HOISTING MOTOR | TRAVERSING MOTOR |
|---------------|-----------------|------------------|-------------|----------------------|-------------|---------|----------------|---------------------------|
| SYMBOLS | MCCB0 | M100, M101, M102 | TR10 | DPM, DPM30 | EOCR1 EOCR2 | F11 F12 | HM | TM |
| DESCRIPTION | 220V 40A | DMC22 | 60 VA | AC220V | SS-30 SS-06 | 1A 2A | 3.5Kw x 4P | 0.75Kw * 4P 0.5Kw * 6P |
| | 440V 20A | | | AC440V | | | | |
| | 460V 20A | | | DC99V | | | | |
| | 480V 20A | | | DC198V DC207V DC216V | | | | |
| MAKER | LS | DONGA | YOUNG DONG | LK | SAMWHA | - | LK | LK |



-NOTE-
1. —X— : Mechanical Interlock

| | |
|---------------|--------------|
| SPECIFICATION | LOAD LIMITER |
| SYMBOLS | LKDL601 |
| DESCRIPTION | 1A - 50A |
| MAKER | LK |

| | | | | | |
|---|------------------|----------|----------|----------------|---------|
| TITLE HOISTING CONTROL CIRCUIT DIAGRAM | | | | PROJECTION | |
| WORK NO. 604 | WORK NAME DAD | | | SCALE | Q' TY |
| 220V, 380V, 440V, 460V, 480V | | | | | |
| DRAWN LEE.G.H | CHECKED | REVIEWED | APPROVED | MODEL | |
| 2010.08.06 | | | | CODE NO | CODE_NO |
| L K HOIST CO., LTD. | | | | | |



| | | | | | |
|--|---------|------------------------|----------|----------------|---------|
| TITLE HOISTING POWER CIRCUIT DIAGRAM | | | | PROJECTION | |
| WORK NO 605 | | WORK NAME DAD | | | |
| | | 220V, 440V, 460V, 480V | | | |
| DRAWN LEE.G.H | CHECKED | REVIEWED | APPROVED | MODEL | |
| 2010.08.06 | | | | CODE NO | CODE_NO |
| LK L K HOIST CO., LTD. | | | | | |

| SPECIFICATION | NO FUSE BREAKER | MAGNET CONTACTOR | TRANSFORMER | SILICON RECTIFIER | 과전류계전기 | FUSE | HOISTING MOTOR | TRAVERSING MOTOR |
|---------------|--|------------------|-------------|---|----------------------|---------|---|------------------|
| SYMBOLS | MCCB0 | M100, M101, M102 | TR10 | DPM, DPM30 | EOCR1 EOCR2 EOCR3 | F11 F12 | HM | TM |
| DESCRIPTION | 220V 30A 440V 30A 460V 30A 480V 30A | DMC22 DMC22 | 60 VA | AC220V AC440V AC460V AC480V DC99V DC198V DC207V DC216V | SS-30 SS-06 | 1A 2A | 3.5Kw x 4P 0.75Kw * 4P /0.25Kw * 6P | |
| MAKER | LS | DONGA | YOUNG DONG | LK | SAMWHA | - | LK | LK |



-NOTE-
1. —X— : Mechanical Interlock

| | |
|---------------|--------------|
| SPECIFICATION | LOAD LIMITER |
| SYMBOLS | LKDL601 |
| DESCRIPTION | 1A - 50A |
| MAKER | LK |

| | | | | | |
|---|-----------|----------|----------|----------------|---------|
| TITLE HOISTING CONTROL CIRCUIT DIAGRAM | | | | PROJECTION | |
| WORK NO | WORK NAME | | | SCALE | Q' TY |
| 607 | DAD | | | | |
| 220V, 380V, 440V, 460V, 480V | | | | | |
| DRAWN | CHECKED | REVIEWED | APPROVED | MODEL | |
| LEE.G.H | | | | CODE NO | CODE_NO |
| 2010.08.06 | | | | | |
| L K HOIST CO., LTD. | | | | | |

SCHEDULE OF TECHNICAL DATA

| | |
|---|-----------------------------|
| 1. SERVICE | HOISTING |
| 2. MANUFACTURE | LK HOIST CO. LTD |
| 3. MOTOR MODEL NO | 3.5 - 4 - 44 |
| 4. RATED POWER | 3.5 KW × 4 P |
| 5. RATED VOLTAGE AND FREQUENCY | 440 V 60HZ |
| 6. MOTOR TYPE | SQUIRREL CAGE ROTOR TYPE |
| 7. RATING | 30 MIN |
| 8. LOCATION | IN-DOOR , OUTDOOR |
| 9. INSULATION CLASS | B |
| 10. DESIGN TEMPERATURE RISE (BY RESISTANCE) | 80℃ |
| 11. FULL LOAD SPEED | 1740 RPM |
| 12. FULL LOAD CURRENT | 8.6 A |
| 13. STARTING CURRENT AT RATED VOLTAGE | 46.4 A |
| 14. MINIMUM STARTING VOLTAGE | 396 V |
| 15. EFFICIENCY AT 100% RATED LOAD | 73.3 % |
| 16. POWER FACTOR AT 100% RATED LOAD | 72.8 % |
| 17. STARTING TORQUE | 245 % |
| 18. TYPE OF ENCLOSURE | 전폐형(IP-54) |
| 19. TYPE OF BEARING | PL : 6205DD OPL : 6008ZZ |
| 20. MOUNTING | VERTICAL |
| 21. MAXIMUM AMBIENT TEMPURE | 40℃ |
| 22. BEARING LUBRICATION | GREASE |
| 23. STARTING METHOD | FULL VOLTAGE |

SCHEDULE OF TECHNICAL DATA

| | |
|---|-----------------------------|
| 1. SERVICE | TRAVERSING |
| 2. MANUFACTURE | LK HOIST CO. LTD |
| 3. MOTOR MODEL NO | 0.75 - 4 - 44 |
| 4. RATED POWER | 0.75 KW × 4 P |
| 5. RATED VOLTAGE AND FREQUENCY | 440 V 60HZ |
| 6. MOTOR TYPE | SQUIRREL CAGE ROTOR TYPE |
| 7. RATING | 15 MIN |
| 8. LOCATION | OUTDOOR |
| 9. INSULATION CLASS | B |
| 10. DESIGN TEMPERATURE RISE (BY RESISTANCE) | 100℃ |
| 11. FULL LOAD SPEED | 1710 RPM |
| 12. FULL LOAD CURRENT | 2.4 A |
| 13. STARTING CURRENT AT RATED VOLTAGE | 13.2 A |
| 14. MINIMUM STARTING VOLTAGE | 396 V |
| 15. EFFICIENCY AT 100% RATED LOAD | 65 % |
| 16. POWER FACTOR AT 100% RATED LOAD | 63 % |
| 17. STARTING TORQUE | 249 % |
| 18. TYPE OF ENCLOSURE | 전폐형 |
| 19. TYPE OF BEARING | PL : 6008DD OPL : 6207ZZ |
| 20. MOUNTING | VERTICAL |
| 21. MAXIMUM AMBIENT TEMPURE | 40℃ |
| 22. BEARING LUBRICATION | GREASE |
| 23. STARTING METHOD | FULL VOLTAGE |

SCHEDULE OF TECHNICAL DATA

| | |
|---|-----------------------------|
| 1. SERVICE | TRAVERSING |
| 2. MANUFACTURE | LK HOIST CO. LTD |
| 3. MOTOR MODEL NO | 0.5 - 6 - 44 |
| 4. RATED POWER | 0.5 KW × 6 P |
| 5. RATED VOLTAGE AND FREQUENCY | 440 V 60HZ |
| 6. ROTOR TYPE | SQUIRREL CAGE ROTOR TYPE |
| 7. RATING | 15 MIN |
| 8. LOCATION | OUTDOOR |
| 9. INSULATION CLASS | B |
| 10. DESIGN TEMPERATURE RISE (BY RESISTANCE) | 100℃ |
| 11. FULL LOAD SPEED | 1140 RPM |
| 12. FULL LOAD CURRENT | 1.6 A |
| 13. STARTING CURRENT AT RATED VOLTAGE | 8.8 A |
| 14. MINIMUM STARTING VOLTAGE | 396 V |
| 15. EFFICIENCY AT 100% RATED LOAD | 65 % |
| 16. POWER FACTOR AT 100% RATED LOAD | 63 % |
| 17. STARTING TORQUE | 250 % |
| 18. TYPE OF ENCLOSURE | 전폐형 |
| 19. TYPE OF BEARING | PL : 6008DD OPL : 6207ZZ |
| 20. MOUNTING | VERTICAL |
| 21. MAXIMUM AMBIENT TEMPERATURE | 40℃ |
| 22. BEARING LUBRICATION | GREASE |
| 23. STARTING METHOD | FULL VOLTAGE |

SCHEDULE OF TECHNICAL DATA

| | |
|---|-----------------------------|
| 1. SERVICE | TRAVERSING |
| 2. MANUFACTURE | LK HOIST CO. LTD |
| 3. MOTOR MODEL NO | 0.75/0.25 - 4/12 - 44 |
| 4. RATED POWER | 0.75/0.25 KW × 4/12 P |
| 5. RATED VOLTAGE AND FREQUENCY | 440 V 60HZ |
| 6. MOTOR TYPE | SQUIRREL CAGE ROTOR TYPE |
| 7. RATING | 15 MIN |
| 8. LOCATION | OUTDOOR |
| 9. INSULATION CLASS | B |
| 10. DESIGN TEMPERATURE RISE (BY RESISTANCE) | 100℃ |
| 11. FULL LOAD SPEED | 1710 / 550 RPM |
| 12. FULL LOAD CURRENT | 2.4 / 1.5 A |
| 13. STARTING CURRENT AT RATED VOLTAGE | 13.2 / 8.25 A |
| 14. MINIMUM STARTING VOLTAGE | 396 V |
| 15. EFFICIENCY AT 100% RATED LOAD | 65 / 48 % |
| 16. POWER FACTOR AT 100% RATED LOAD | 63 / 46 % |
| 17. STARTING TORQUE | 250 / 243 % |
| 18. TYPE OF ENCLOSURE | 전폐형 |
| 19. TYPE OF BEARING | PL : 6008DD OPL : 6207ZZ |
| 20. MOUNTING | VERTICAL |
| 21. MAXIMUM AMBIENT TEMPURE | 40℃ |
| 22. BEARING LUBRICATION | GREASE |
| 23. STARTING METHOD | FULL VOLTAGE |