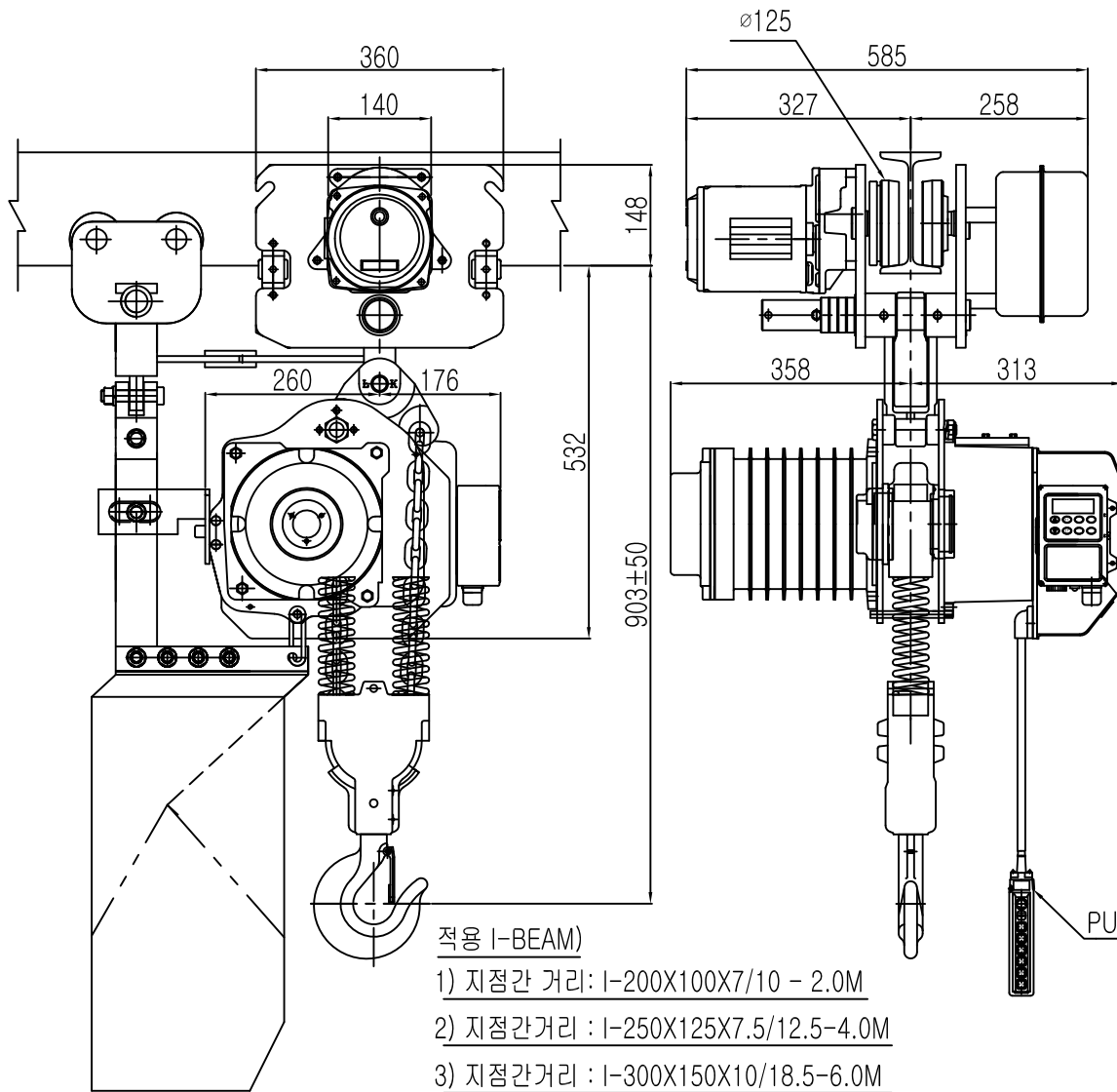


L K HOIST

| NO | DESCRIPTION | SIZE | MAT' L | Q' TY | WT (kg) | REMARKS |
|----|-------------|------|--------|-------|---------|---------|
| | | | | | | |



SPECIFICATION

| | | LK-DAM-2.8W | | |
|------------------|-----------------------------------|-------------|------------|---------------------|
| RATED LOAD | (TON) | 2.8 | | |
| TESTING LOAD | (TON) | 3.5 | | |
| LIFTING HEIGHT | (M) | 50 | | |
| HOISTING | SPEED (M/MIN) | 5.15 | | |
| | MOTOR (KW) | 3.5kw x 4p | | |
| TRAVERSING | SPEED (M/MIN) | 20 | 14 | 20/7 |
| | MOTOR (KW) | 0.75kw x 4p | 0.4kw x 6p | 0.75/0.25kw x 4/12p |
| POWER SUPPLY | AC220.380.440.460.480Vx3φ x 60 Hz | | | |
| OPERATING METHOD | P.B type ON . FL | | | |
| LOAD CHAIN | φ9.5 X 28.6(2FALL) | | | |
| WEIGHT | (KG) | 405KG | | |
| I-BEAM 적용폭 | 100 ~ 190MM | | | |

LOAD LIMITER

PUSH BUTTON S/W

NOTE)

- 1) 점검 설비를 갖출 것
- 2) 인허가 서류를 완성검사시 제출 할 것

적용 I-BEAM)

- 1) 지점간 거리 : I-200X100X7/10 - 2.0M
- 2) 지점간거리 : I-250X125X7.5/12.5-4.0M
- 3) 지점간거리 : I-300X150X10/18.5-6.0M
- 4) 지점간거리 : I-450X175X13/26-11M
- 5) 지점간거리 : I-600X190X13/25-14M

| TITLE | | PROJECTION | |
|-------------------------------|-------------|------------|----------|
| ELECTRIC CHAIN HOIST DAM-2.8W | | | |
| WORK NO | WORK NAME | SCALE | Q' TY |
| | LK-DAM-2.8W | | 1 |
| DRAWN | CHECKED | REVIEWED | APPROVED |
| 김창기 | | | |
| 2010.08.01 | | | |
| DRAWING NO | | CODE NO | |
| | | | |

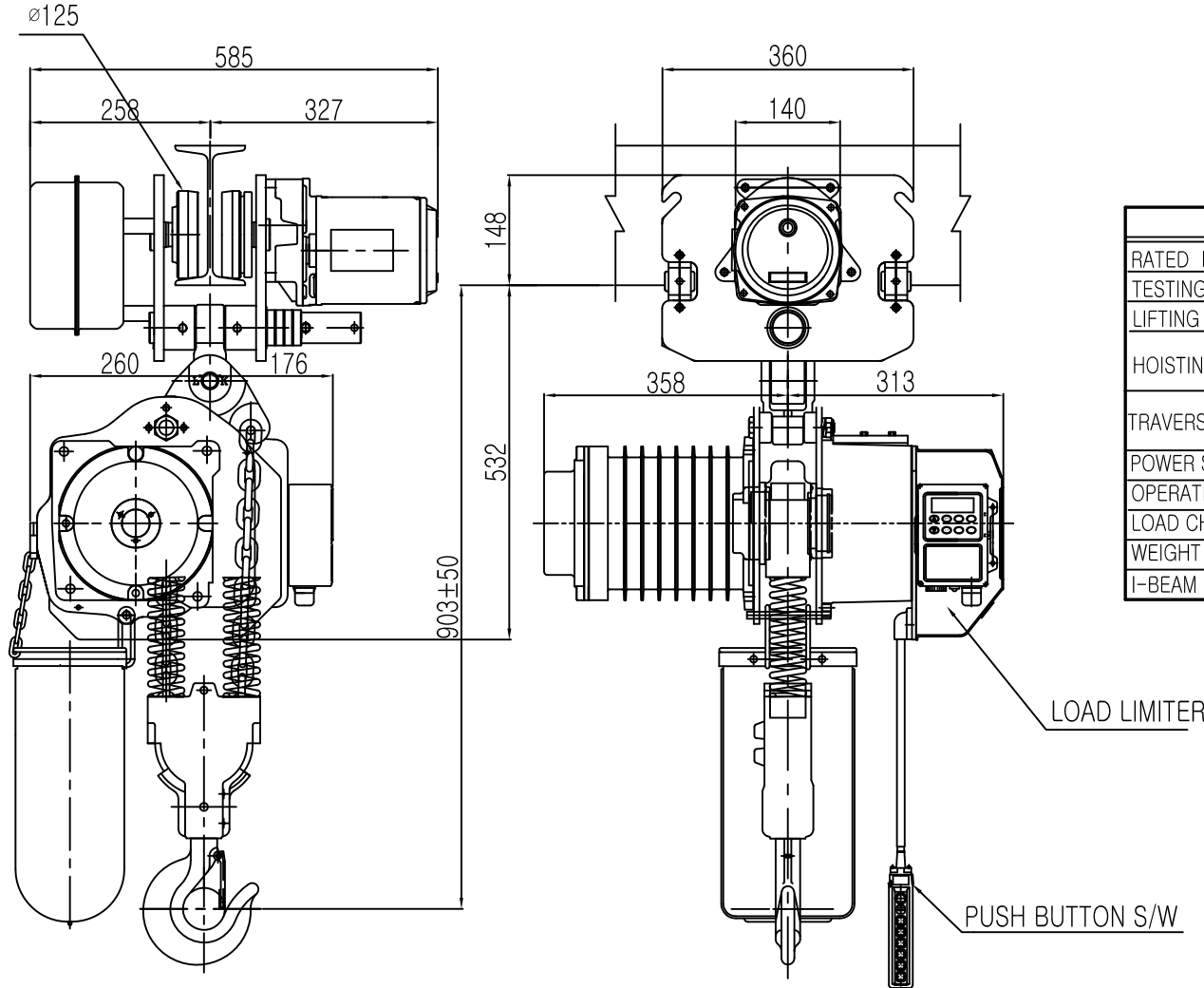
| REV.NO | DATE | REVISION | DESCRIPTION | DRAWN | CHECKED | APPROVED |
|--------|------|----------|-------------|-------|---------|----------|
| | | | | | | |



L K HOIST CO., LTD.

L K HOIST

| NO | DESCRIPTION | SIZE | MAT'L | Q'TY | WT (kg) | REMARKS |
|----|-------------|------|-------|------|---------|---------|
| | | | | | | |



SPECIFICATION

| | | LK-DAM-2.8W | | |
|------------------|-----------------------------------|-------------|------------|---------------------|
| RATED LOAD | (TON) | 2.8 | | |
| TESTING LOAD | (TON) | 3.5 | | |
| LIFTING HEIGHT | (M) | 50 | | |
| HOISTING | SPEED (M/MIN) | 5.15 | | |
| | MOTOR (KW) | 3.5kw x 4p | | |
| TRAVERSING | SPEED (M/MIN) | 20 | 14 | 20/7 |
| | MOTOR (KW) | 0.75kw x 4p | 0.4kw x 6p | 0.75/0.25kw x 4/12p |
| POWER SUPPLY | AC220.380.440.460.480Vx3φ x 60 Hz | | | |
| OPERATING METHOD | P.B type ON . FL | | | |
| LOAD CHAIN | φ9.5 X 28.6(2FALL) | | | |
| WEIGHT | (KG) | 405KG | | |
| I-BEAM 적용폭 | | 100 ~ 190MM | | |

NOTE)

- 1) 점검 설비를 갖출 것
- 2) 인허가 서류를 완성검사시 제출 할 것

적용 I-BEAM)

- 1) 지점간 거리: I-200X100X7/10 - 2.0M
- 2) 지점간거리 : I-250X125X7.5/12.5-4.0M
- 3) 지점간거리 : I-300X150X10/18.5-6.0M
- 4) 지점간거리 : I-450X175X13/26-11M
- 5) 지점간거리 : I-600X190X13/25-14M

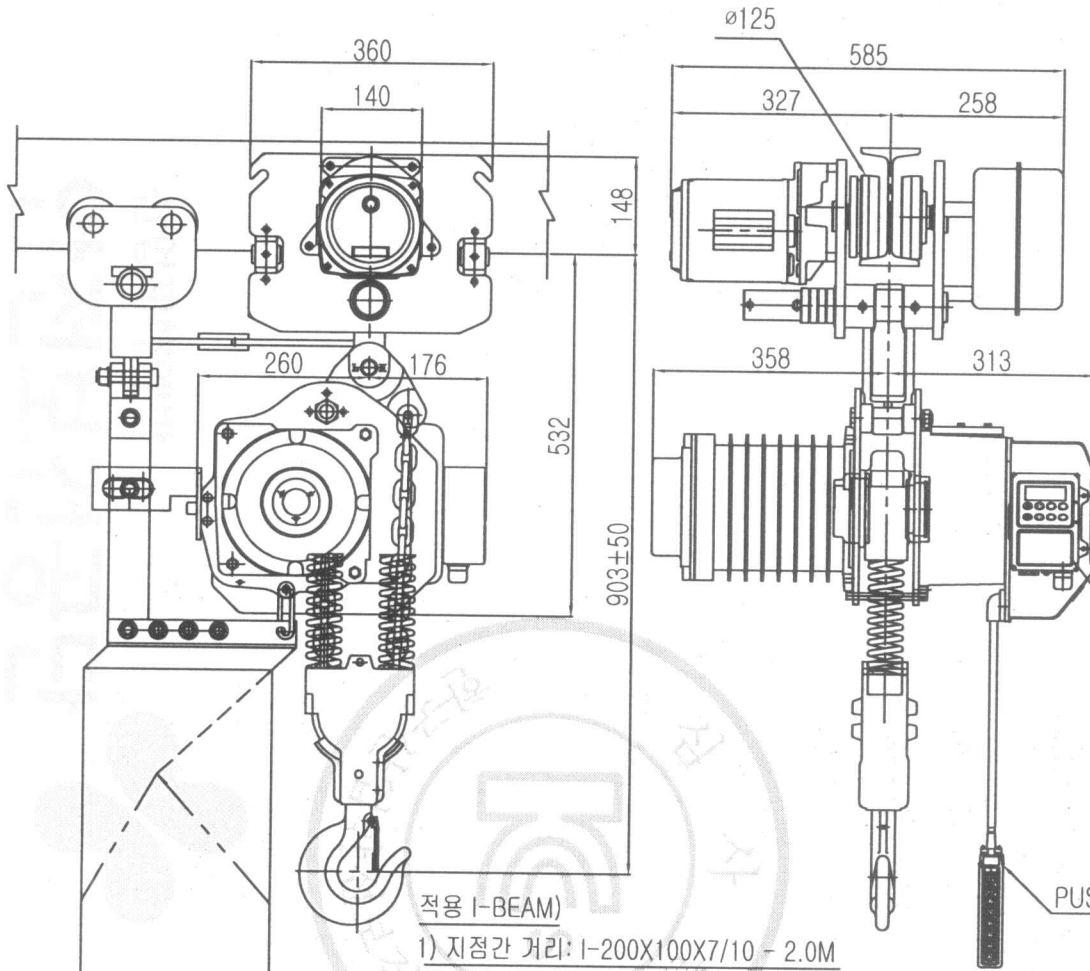
| REV.NO | DATE | REVISION | DESCRIPTION | DRAWN | CHECKED | APPROVED |
|--------|------|----------|-------------|-------|---------|----------|
| | | | | | | |

| TITLE | | ELECTRIC CHAIN HOIST | | | PROJECTION | |
|------------|-----------|----------------------|----------|------------|------------|--|
| WORK NO | WORK NAME | LK-DAM-2.8W | | SCALE | Q'TY | |
| | | | | N/S | 1 | |
| DRAWN | CHECKED | REVIEWED | APPROVED | DRAWING NO | | |
| 김 창 기 | | | | | | |
| 2010.08.01 | | | | CODE NO | | |

LK L K HOIST CO., LTD.

L K HOIST

| NO | DESCRIPTION | SIZE | MAT L | Q' TY | WT (kg) | REMARKS |
|----|-------------|------|-------|-------|---------|---------|
| | | | | | | |



SPECIFICATION

| | | LK-DAM-2.8W | | |
|--------------------|---------------|-----------------------------------|------------|---------------------|
| RATED LOAD (TON) | | 2.8 | | |
| TESTING LOAD (TON) | | 3.5 | | |
| LIFTING HEIGHT (M) | | 50 | | |
| HOISTING | SPEED (M/MIN) | 5.15 | | |
| | MOTOR (KW) | 3.5kw x 4p | | |
| TRAVERSING | SPEED (M/MIN) | 20 | 14 | 20/7 |
| | MOTOR (KW) | 0.75kw x 4p | 0.4kw x 6p | 0.75/0.25kw x 4/12p |
| POWER SUPPLY | | AC220.380.440.460.480Vx3ø x 60 Hz | | |
| OPERATING METHOD | | P.B type ON . FL | | |
| LOAD CHAIN | | ø9.5 X 28.6(2FALL) | | |
| WEIGHT (KG) | | 405KG | | |
| I-BEAM 적용폭 | | 100 ~ 190MM | | |

LOAD LIMITER

PUSH BUTTON S/W

NOTE)

- 1)점검 설비를 갖출 것
- 2)인허가 서류를 완성검사시 제출 할 것

적용 I-BEAM)

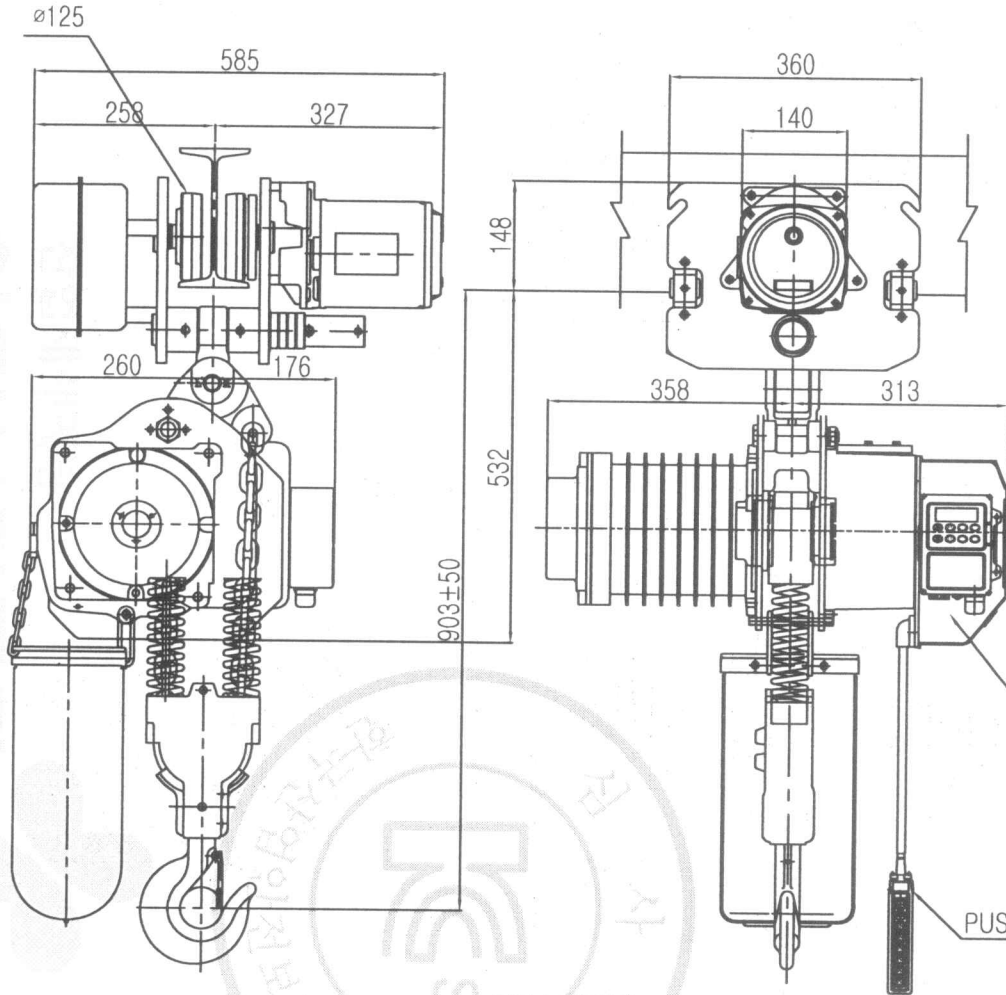
- 1) 지점간 거리 : I-200X100X7/10 - 2.0M
- 2) 지점간거리 : I-250X125X7.5/12.5-4.0M
- 3) 지점간거리 : I-300X150X10/18.5-6.0M
- 4) 지점간거리 : I-450X175X13/26-11M
- 5) 지점간거리 : I-600X190X13/25-14M

| REV.NO | DATE | REVISION | DESCRIPTION | DRAWN | CHECKED | APPROVED |
|--------|------|----------|-------------|-------|---------|----------|
| | | | | | | |

| TITLE | | | | | PROJECTION | |
|-------------------------------|-------------|----------|----------|------------|------------|-------|
| ELECTRIC CHAIN HOIST DAM-2.8W | | | | | | |
| WORK NO | WORK NAME | | | | | |
| | LK-DAM-2.8W | | | | SCALE | Q' TY |
| | | | | | | 1 |
| DRAWN | CHECKED | REVIEWED | APPROVED | DRAWING NO | | |
| 김창기 | | | | | | |
| 2010.08.01 | | | | CODE NO | | |
| L K HOIST CO., LTD. | | | | | | |

열린복지 및 배포금지

L K HOIST



SPECIFICATION

| | | LK-DAM-2.8W | | |
|--------------------|-----------------------------------|-------------|------------|---------------------|
| RATED LOAD (TON) | | 2.8 | | |
| TESTING LOAD (TON) | | 3.5 | | |
| LIFTING HEIGHT (M) | | 50 | | |
| HOISTING | SPEED (M/MIN) | 5.15 | | |
| | MOTOR (KW) | 3.5kw x 4p | | |
| TRAVERSING | SPEED (M/MIN) | 20 | 14 | 20/7 |
| | MOTOR (KW) | 0.75kw x 4p | 0.4kw x 6p | 0.75/0.25kw x 4/12p |
| POWER SUPPLY | AC220.380.440.460.480Vx3φ x 60 Hz | | | |
| OPERATING METHOD | P.B type ON . FL | | | |
| LOAD CHAIN | φ9.5 X 28.6(2FALL) | | | |
| WEIGHT (KG) | 405KG | | | |
| I-BEAM 적용폭 | 100 ~ 190MM | | | |

NOTE

- 1) 점검 설비를 갖출 것
- 2) 인허가 서류를 완성검사시 제출 할 것

적용 I-BEAM)

- 1) 지점간 거리 : I-200X100X7/10 - 2.0M
- 2) 지점간거리 : I-250X125X7.5/12.5-4.0M
- 3) 지점간거리 : I-300X150X10/18.5-6.0M
- 4) 지점간거리 : I-450X175X13/26-11M
- 5) 지점간거리 : I-600X190X13/25-14M

LOAD LIMITER

PUSH BUTTON S/W

| TITLE | | | | | | PROJECTION | |
|----------------------|-------------|----------|----------|------------|--|------------|-------|
| ELECTRIC CHAIN HOIST | | | | | | | |
| WORK NO | WORK NAME | | | | | SCALE | Q' TY |
| | LK-DAM-2.8W | | | | | N/S | 1 |
| DRAWN | CHECKED | REVIEWED | APPROVED | DRAWING NO | | | |
| 김 창 기 | | | | CODE NO | | | |
| 2010.08.01 | | | | | | | |
| L K HOIST CO., LTD. | | | | | | | |

| REV.NO | DATE | REVISION | DESCRIPTION | DRAWN | CHECKED | APPROVED |
|--------|------|----------|-------------|-------|---------|----------|
| | | | | | | |

물범북제 및 배포금지