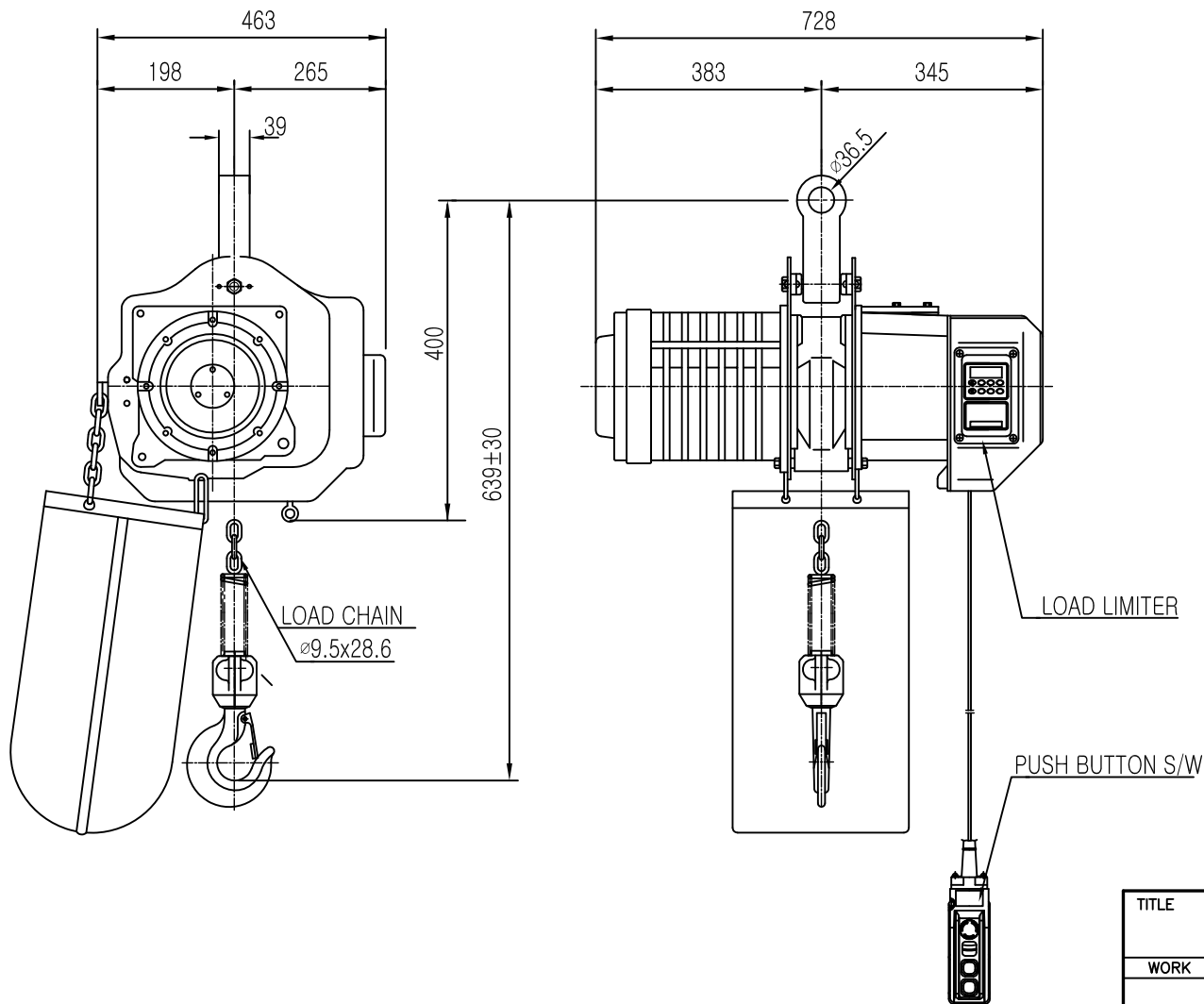


L K HOIST

ON GMD

NO	DESCRIPTION	SIZE	MAT'L	Q'TY	WT (kg)	REMARKS



SPECIFICATION		
HOISTING LOAD	1.5 TON	
TESTING LOAD	1.875 TON	
LIFTING HEIGHT	50 M	
HOISTING	SPEED	10.3/3.4 M/MIN
	MOTOR	4.4/2.2 KW x 2/6P
TRAVERSING	SPEED	- M/MIN
	MOTOR	- KW x - SET
POWER SUPPLY	AC220,380,440,460,480V x 3 ϕ x 60 Hz	
OPERATING METHOD	P.B type ON . FL	
LOAD CHAIN	$\phi 9.5 \times 28.6$ (1 FALL)	
WIEGHT	231 KG	

NOTE)

- 1) 점검 설비를 갖출것.
- 2) 인허가 서류를 완성검사시 제출할것.

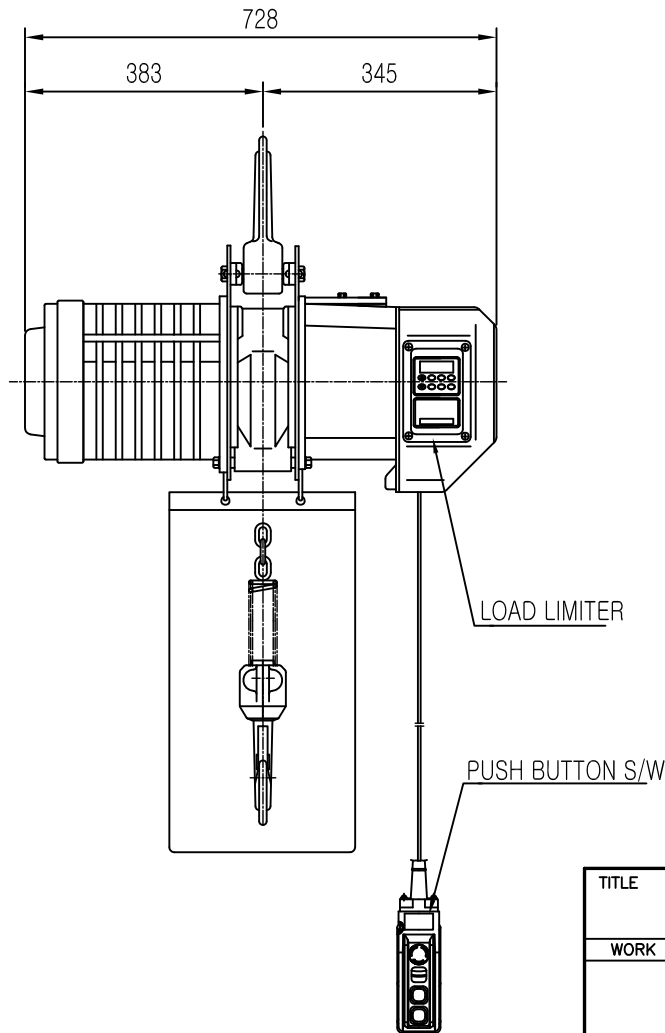
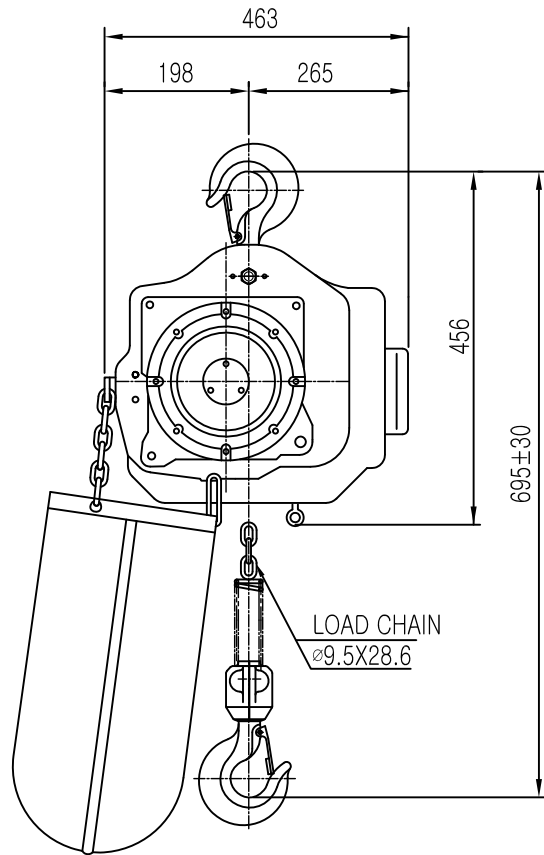
REV.NO	DATE	REVISION	DESCRIPTION	DRAWN	CHECKED	APPROVED

TITLE				PROJECTION	
DB-1.5ELECTRIC CHAIN HOIST					
WORK NO	WORK NAME			SCALE	Q' TY
	CONNECTOR TYPE			N S	1
DRAWN	CHECKED	REVIEWED	APPROVED	DRAWING NO	
김 창 기					
2010.07.27					
L K HOIST CO., LTD.					

L K HOIST

ON 3MD

NO	DESCRIPTION	SIZE	MAT' L	Q' TY	WT (kg)	REMARKS



SPECIFICATION		
HOISTING LOAD	1.5	TON
TESTING LOAD	1.875	TON
LIFTING HEIGHT	50	M
HOISTING	SPEED	10.3/3.4 M/MIN
	MOTOR	4.4/2.2 KW x 2/6P
TRAVERSING	SPEED	- M/MIN
	MOTOR	- KW x - SET
POWER SUPPLY	AC220,380,440,460,480V x 3ø x 60 Hz	
OPERATING METHOD	P.B type ON . FL	
LOAD CHAIN	ø9.5 x 28.6 (1 FALL)	
WIEGHT	231 KG	

NOTE)

- 1) 점검 설비를 갖출것.
- 2) 인허가 서류를 완성검사시 제출할것.

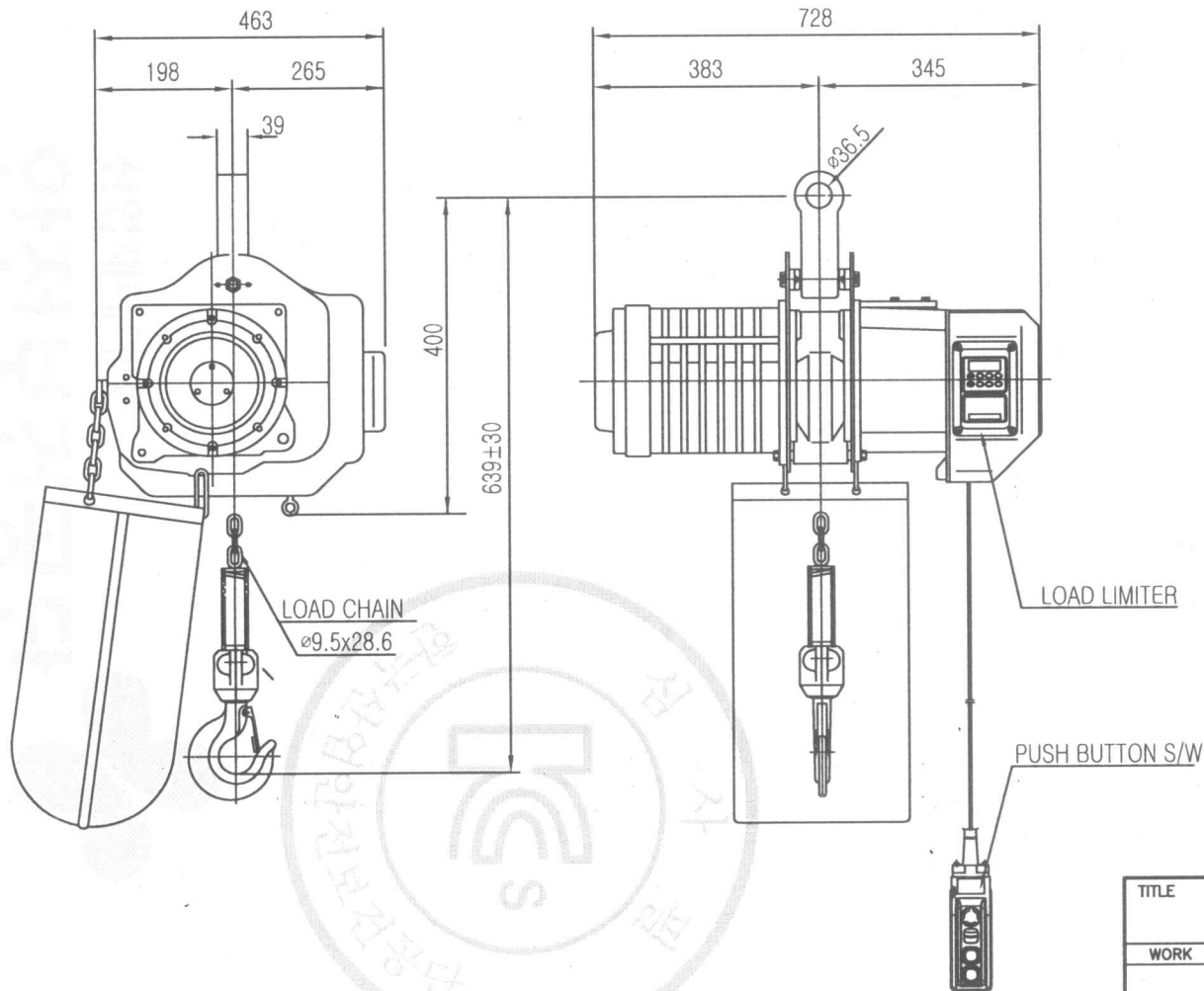
REV.NO	DATE	REVISION	DESCRIPTION	DRAWN	CHECKED	APPROVED

TITLE					PROJECTION	
DB-1.5S ELECTRIC CHAIN HOIST						
			HOOK TYPE		N	S 1
DRAWN	CHECKED	REVIEWED	APPROVED	DRAWING NO		
김창기						
2010.07.27						

L K HOIST

ON GMD

NO	DESCRIPTION	SIZE	MAT'L	Q'TY	WT (kg)	REMARKS



SPECIFICATION		
HOISTING LOAD	1.5	TON
TESTING LOAD	1.875	TON
LIFTING HEIGHT	50	M
HOISTING	SPEED	10.3/3.4 M/MIN
	MOTOR	4.4/2.2 KW x 2/6P
TRAVERSING	SPEED	- M/MIN
	MOTOR	- KW x - SET
POWER SUPPLY	AC220,380,440,460,480V x 3ø x 60 Hz	
OPERATING METHOD	P.B type ON . FL	
LOAD CHAIN	ø9.5 x 28.6 (1 FALL)	
WIEGHT	231 KG	

NOTE)

- 1) 점검 설비를 갖출것.
- 2) 인허가 서류를 완성검사시 제출할것.

열린보자기 및 배포금지

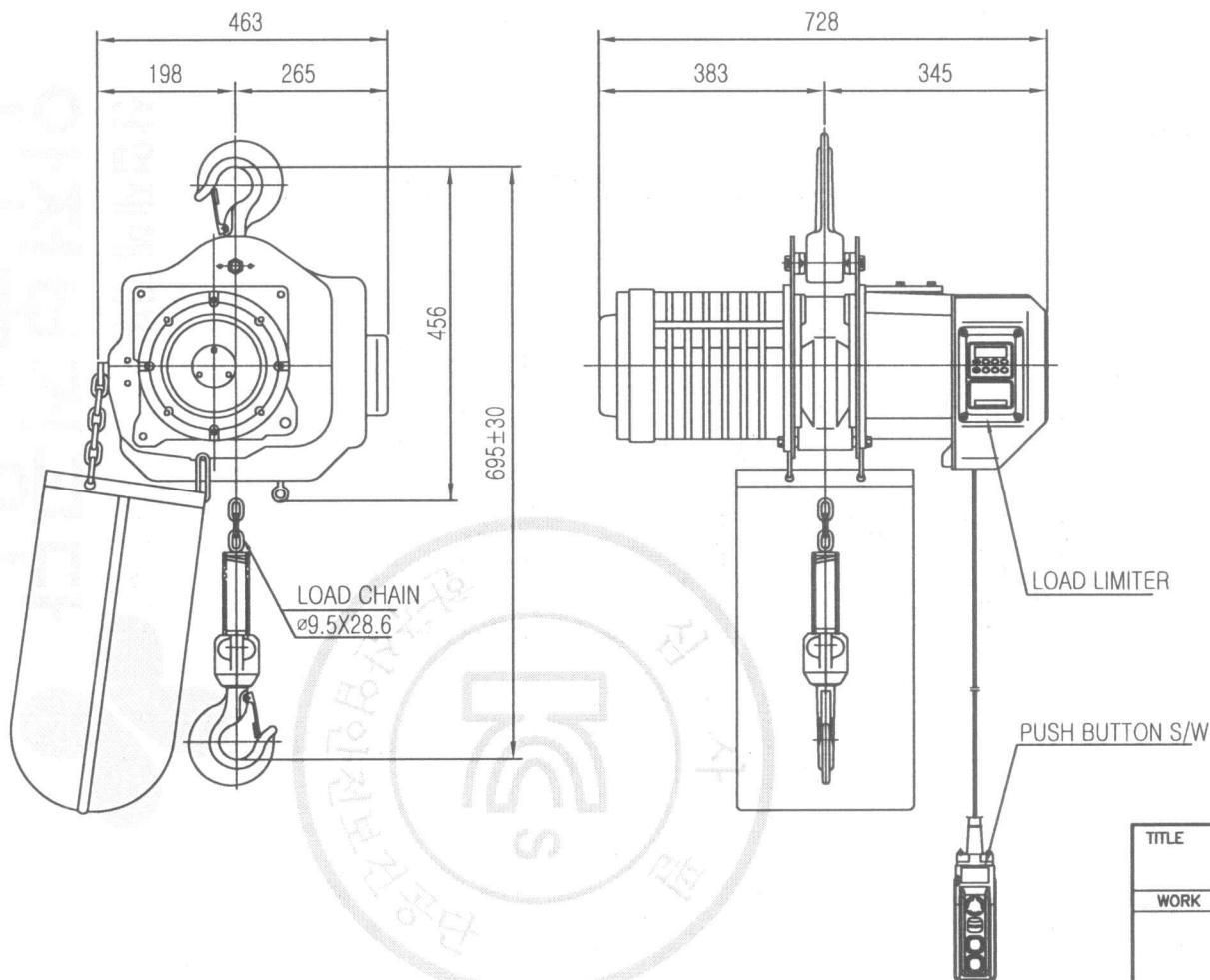
TITLE					PROJECTION	
DB-1.5ELECTRIC CHAIN HOIST						
WORK NO	WORK NAME				SCALE	Q'TY
	CONNECTOR TYPE				N S	1
DRAWN	CHECKED	REVIEWED	APPROVED	DRAWING NO		
김창기						
2010.07.27						
L K HOIST CO., LTD.						

REV.NO	DATE	REVISION	DESCRIPTION	DRAWN	CHECKED	APPROVED

ON 9MC

L K HOIST

NO	DESCRIPTION	SIZE	MAT' L	Q' TY	WT (kg)	REMARKS



SPECIFICATION		
HOISTING LOAD	1.5	TON
TESTING LOAD	1.875	TON
LIFTING HEIGHT	50	M
HOISTING	SPEED	10.3/3.4 M/MIN
	MOTOR	4.4/2.2 KW x 2/6P
TRAVERSING	SPEED	- M/MIN
	MOTOR	- KW x - SET
POWER SUPPLY	AC220,380,440,460,480Vx 3ø x 60 Hz	
OPERATING METHOD	P.B type ON . FL	
LOAD CHAIN	ø9.5 x 28.6 (1 FALL)	
WIEGHT	231 KG	

NOTE)

- 1) 점검 설비를 갖출것.
- 2) 인허가 서류를 완성검사시 제출할것.

TITLE					PROJECTION	
DB-1.5S ELECTRIC CHAIN HOIST						
WORK NO	WORK NAME			SCALE	Q' TY	
	HOOK TYPE			N S	1	
DRAWN	CHECKED	REVIEWED	APPROVED	DRAWING NO		
김창기						
2010.07.27						
L K HOIST CO., LTD.						

REV.NO	DATE	REVISION	DESCRIPTION	DRAWN	CHECKED	APPROVED

물범북제 및 배포금지