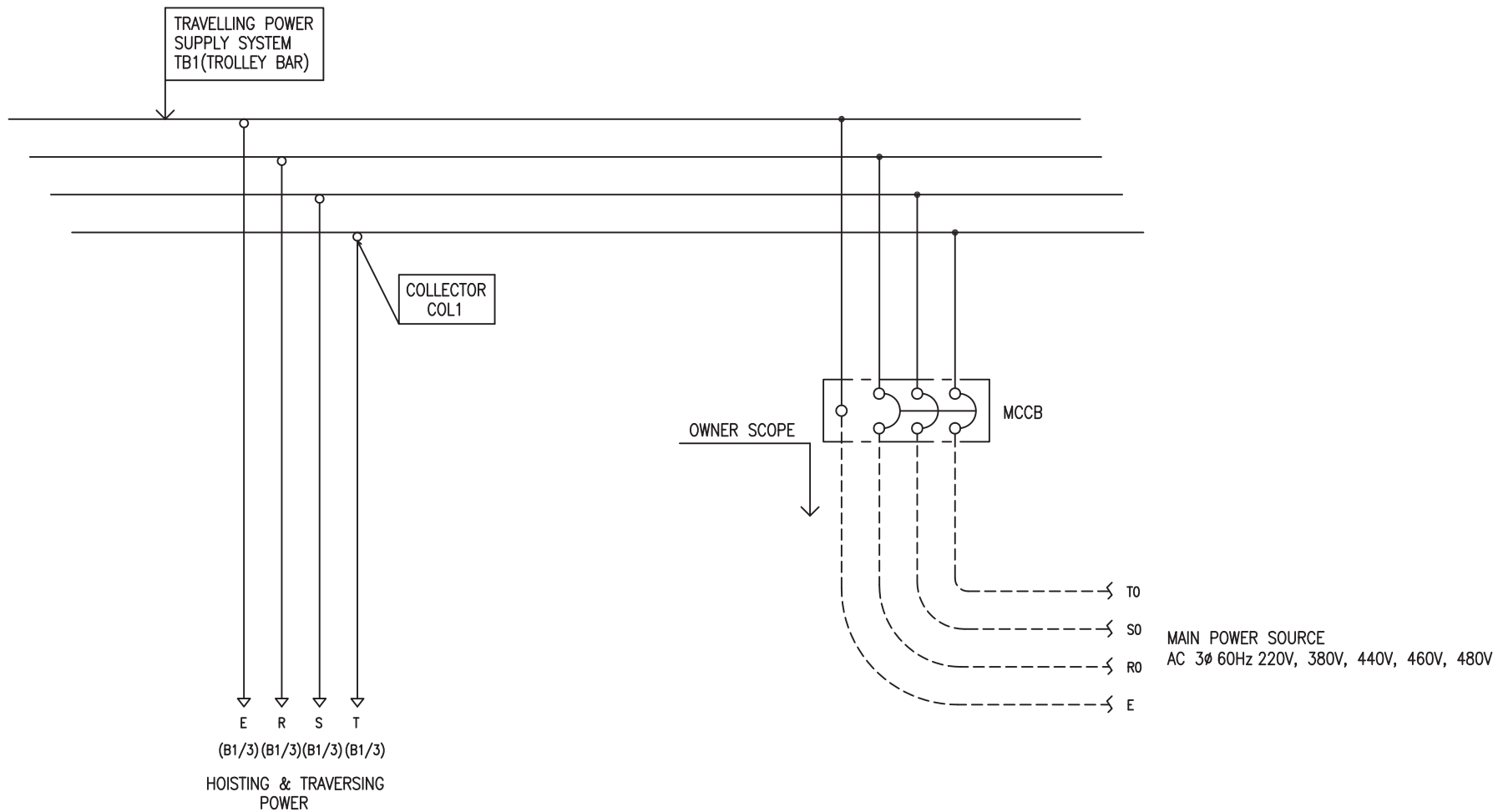


POWER CIRCUIT
TRAVELLING POWER SUPPLY SYSTEM

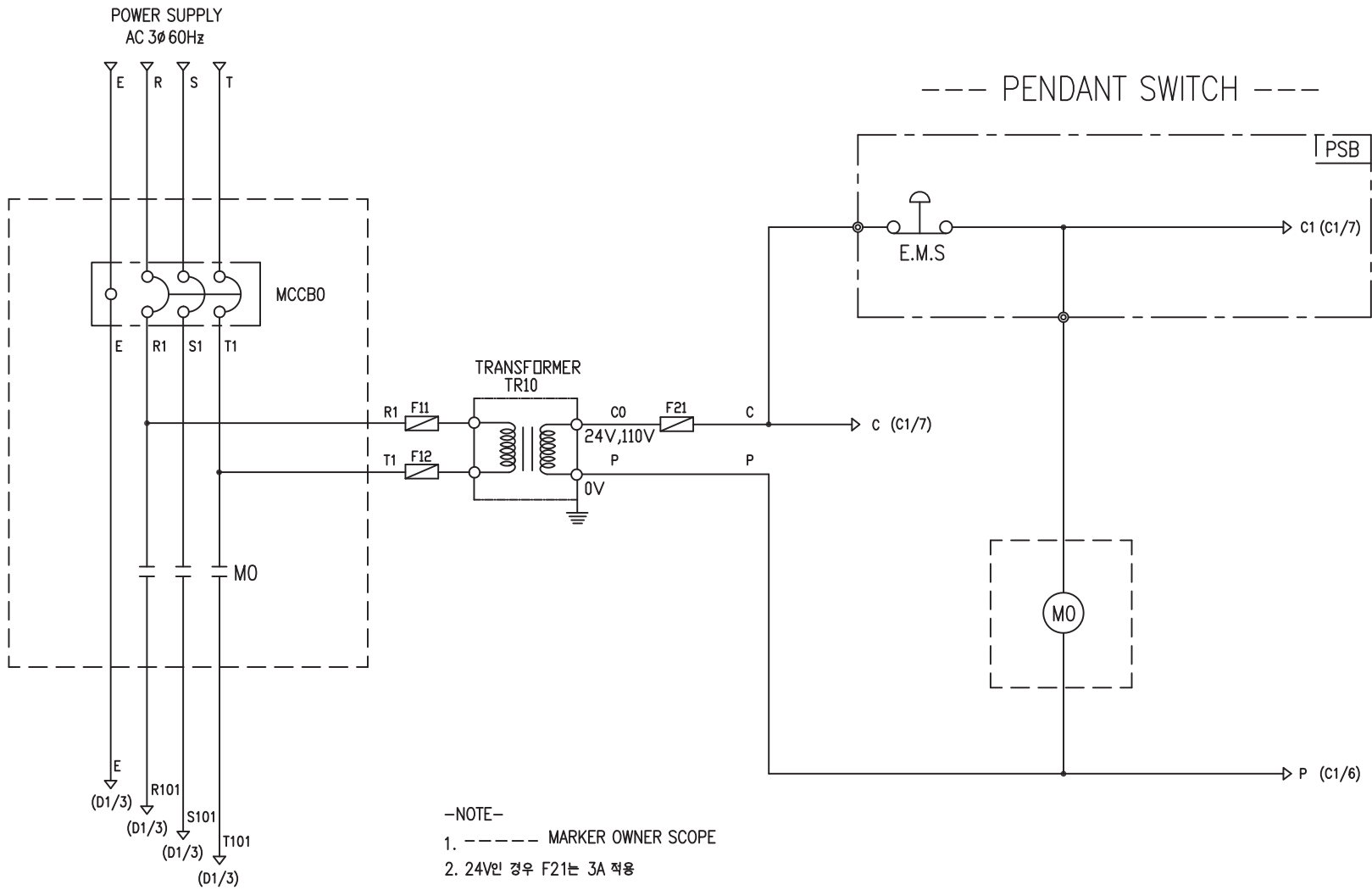
ADDRESS NO.
A1



-NOTE-

- 1. - - - - MARKED OWNER SCOPE
- 2. ———— MARKED CRANE MAKER SCOPE

| | | | | | |
|--------------------------------------|------------------|----------|----------|-------------------|------------|
| TITLE MAIN POWER CIRCUIT DIAGRAM1 | | | | PROJECTION | |
| WORK NO 601 | WORK NAME DBM | | | SCALE 1/1 | Q' TY 1 |
| 220V, 380V, 440V, 460V, 480V | | | | | |
| DRAWN LEE G.H. 2010.07.30 | CHECKED | REVIEWED | APPROVED | DRAWING NO DBM | CODE NO |
| L K HOIST CO., LTD. | | | | | |



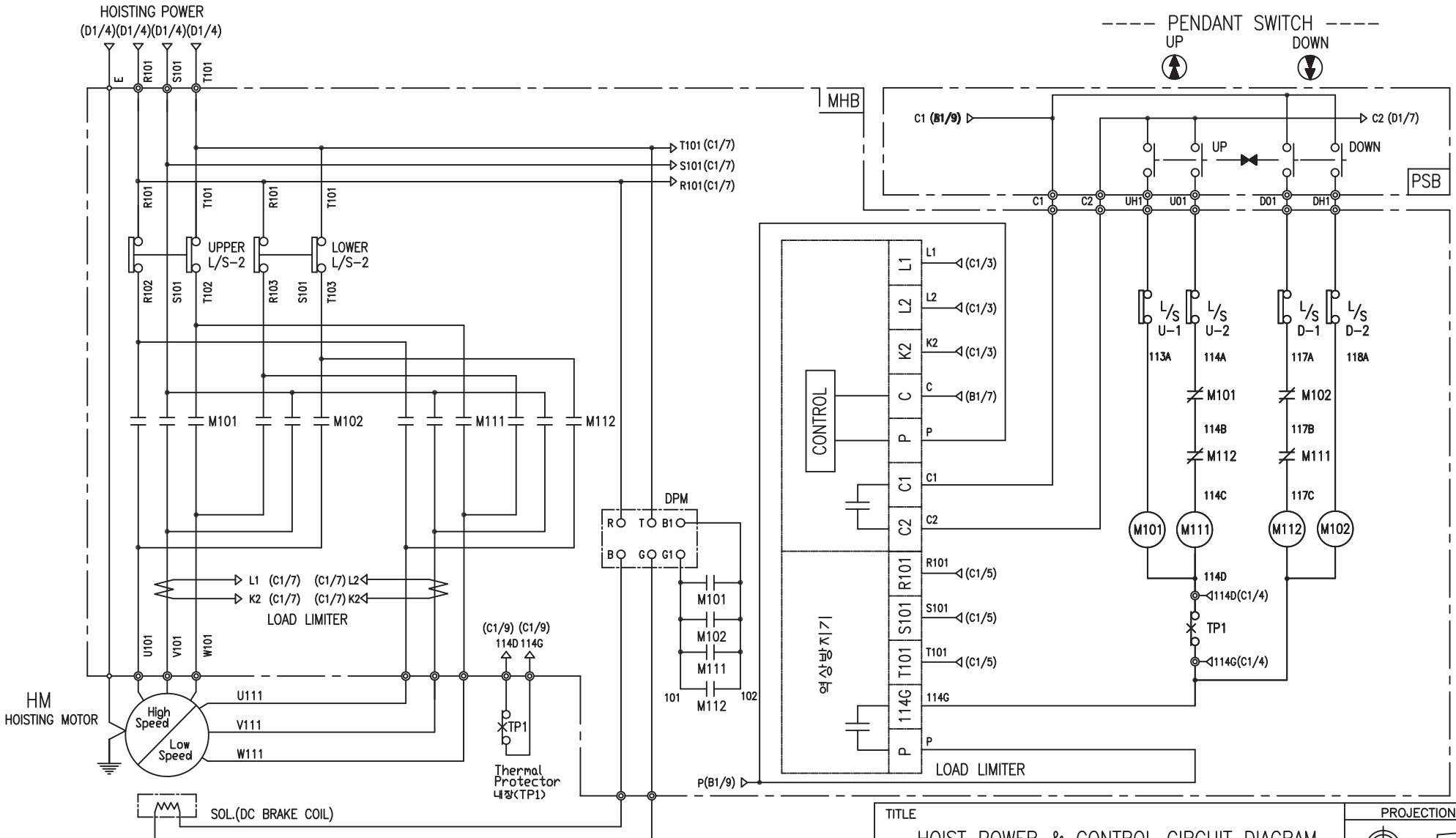
-NOTE-

1. ----- MARKER OWNER SCOPE
2. 24V인 경우 F21는 3A 적용

HOISTING & TRAVERSING POWER

| SPECIFICATION | NO FUSE BREAKER | MAGNET CONTACT | TRANSFORMER | FUZE | | |
|---------------|-----------------|----------------|-------------|---------------|------|----|
| SYMBOLS | MCCB0 | MO | TR10 | F11, F12, F21 | | |
| DESCRIPTION | 220V | 50A | GMC22 | DMC22 | 60VA | 1A |
| | 380V | 30A | | | | |
| | 440V | 30A | | | | |
| | 460V | 30A | | | | |
| 480V | 30A | | | | | |
| MAKER | LS | LS | DONGA | LK | - | |

| | | | | | | | |
|-----------------------------------------------|---------|------------------|----------|---------|-----|----------------|------------|
| TITLE MAIN POWER & CONTROL CIRCUIT DIAGRAM | | | | | | PROJECTION | |
| WORK NO 602 | | WORK NAME DBM | | | | SCALE 1/1 | Q' TY 1 |
| 220V, 380V, 440V, 460V, 480V | | | | | | | |
| DRAWN LEE.G.H | CHECKED | REVIEWED | APPROVED | MODEL | DBM | | |
| 2010.07.30 | | | | CODE NO | | | |
| L K HOIST CO., LTD. | | | | | | | |



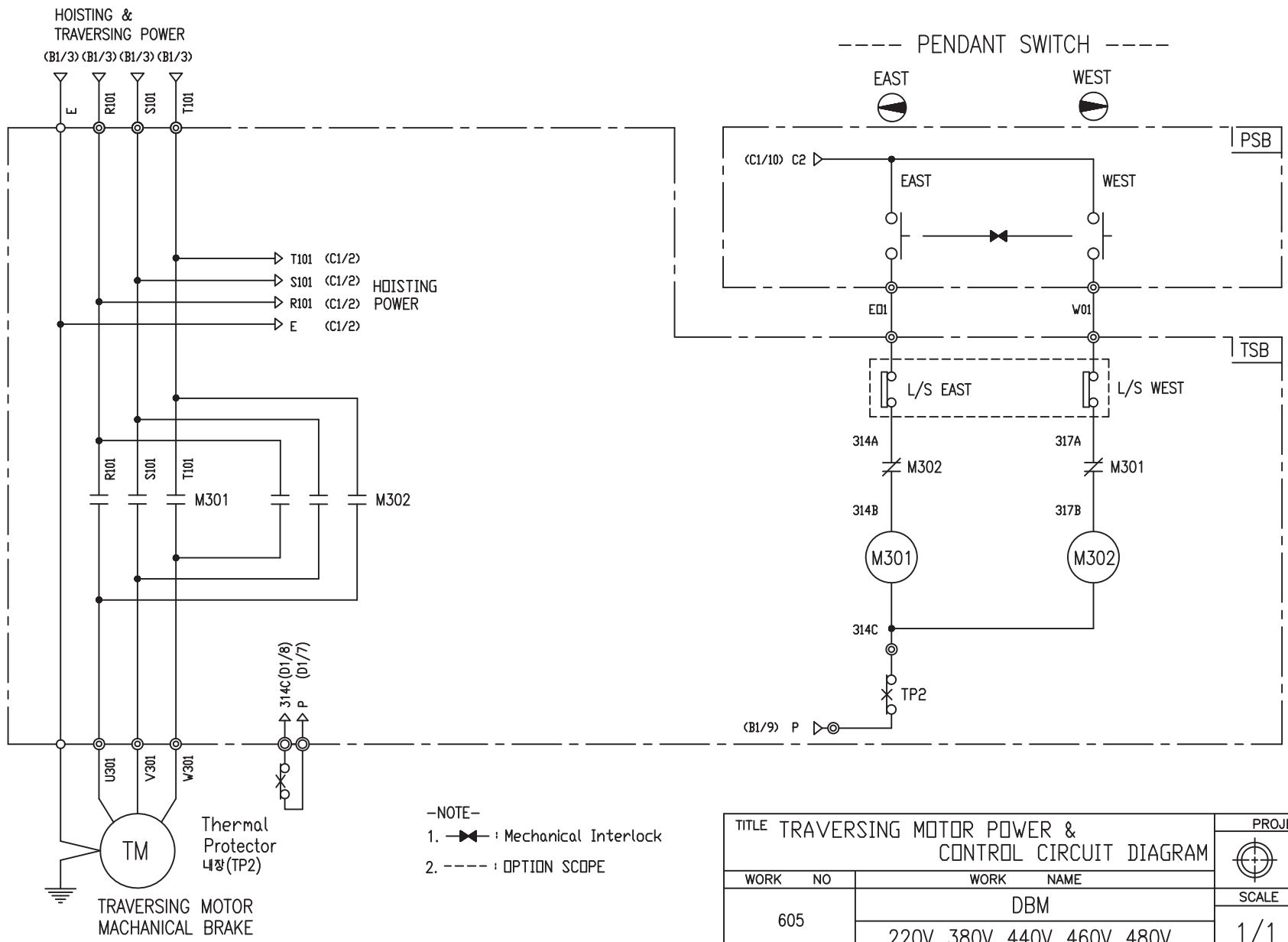
-NOTE-
1. : Mechanical Interlock

| SPECIFICATION | MAGNET CONTACT | LOAD LIMITER | SILICON RECTIFIER | | | | Thermal Protector | HOIST MOTOR |
|---------------|--------------------------|--------------|-------------------|--------|--------|--------|-------------------|---------------------|
| | | | AC380V | AC440V | AC460V | AC480V | | |
| SYMBOLS | M101, M102 M103, M104 | - | DPM | | | | TP1 | HM |
| DESCRIPTION | DMC22 | LKDL-601 | DC171V | DC198V | DC207V | DC216V | 17AM032 | 4.4Kw * 2P/2.2Kw*6P |
| MAKER | DONG-A | LK | LK | | | | Texas Instruments | LK |

| | | | | | | | |
|------------------------------------------------|--|------------------|----------|----------|--------------|----------------|------------|
| TITLE HOIST POWER & CONTROL CIRCUIT DIAGRAM | | | | | | PROJECTION | |
| WORK NO. 604 | | WORK NAME DBM | | | | SCALE 1/1 | Q' TY 1 |
| DRAWN LEE.G.H | | CHECKED | REVIEWED | APPROVED | MODEL DBM | | |
| 2010.07.30 | | | | | | CODE NO | |
| L K HOIST CO., LTD. | | | | | | | |

TRAVERSING POWER CIRCUIT

TRAVERSING CONTROL CIRCUIT

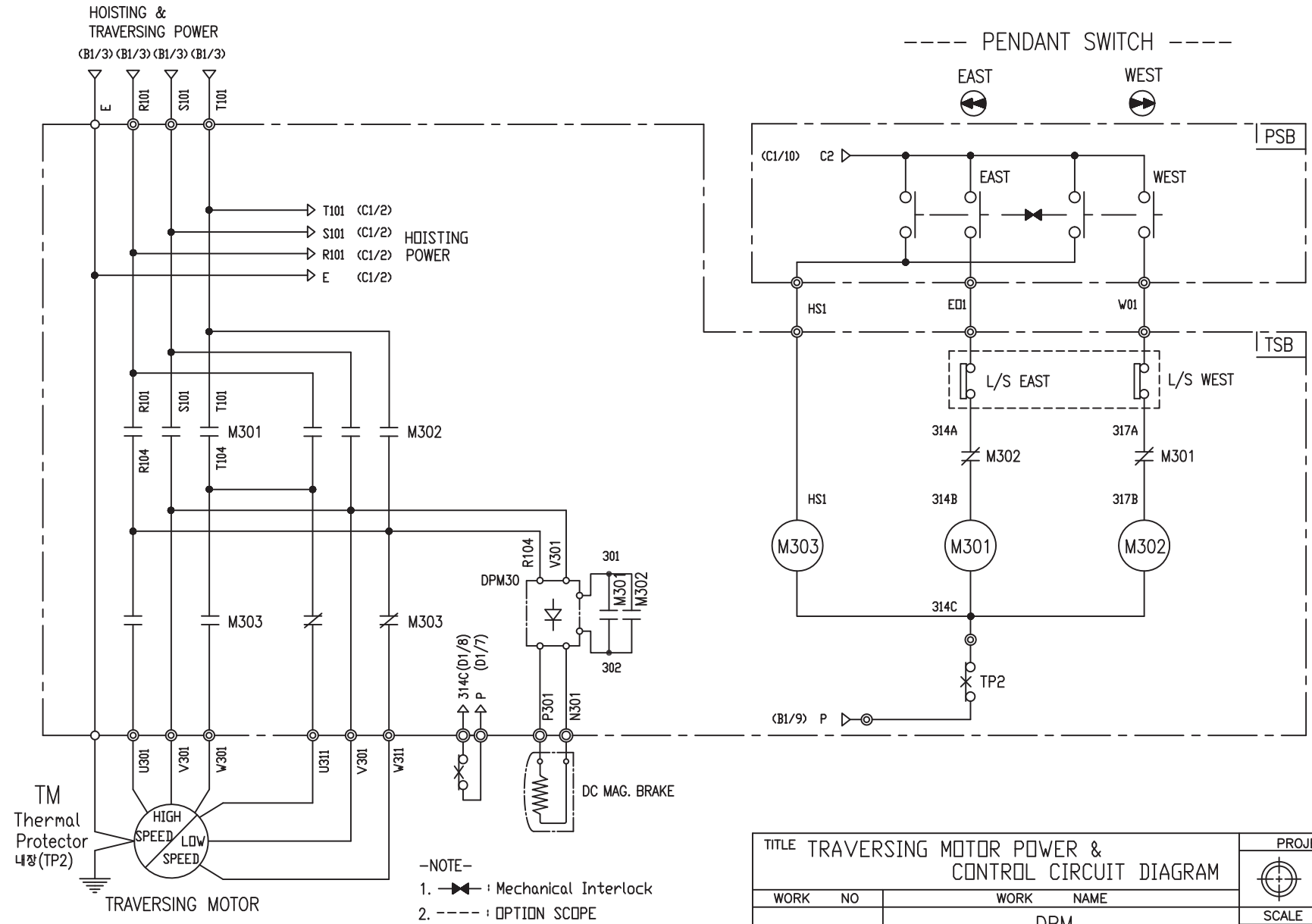


| | | | | | | | |
|--------------------------------------------------------|---------|----------|----------|---------|-----|---------------|---------|
| TITLE TRAVERSING MOTOR POWER & CONTROL CIRCUIT DIAGRAM | | | | | | PROJECTION | |
| WORK NO. 605 | | | | | | WORK NAME DBM | |
| 220V, 380V, 440V, 460V, 480V | | | | | | SCALE 1/1 | Q' TY 1 |
| DRAWN LEE.G.H | CHECKED | REVIEWED | APPROVED | MODEL | DBM | | |
| 2010.07.30 | | | | CODE NO | | | |
| LK L K HOIST CO., LTD. | | | | | | | |

| | | | | | |
|---------------|----------------|-------|-------------------|------------------|-----------|
| SPECIFICATION | MAGNET CONTACT | | Thermal Protector | TRAVERSING MOTOR | |
| SYMBOLS | M301, M302 | | TP2 | TM | |
| DESCRIPTION | GMC12 | DMC12 | 17AM032 | 0.75KW *4P | 0.4KW *6P |
| MAKER | LS | DONGA | Texas Instruments | LK | |

TRAVERSING POWER CIRCUIT

TRAVERSING CONTROL CIRCUIT



| | | | | | | | | | |
|---------------|------------------|-------|-------------------|-------------------|--------|--------|--------|--------|--------------------|
| SPECIFICATION | MAGNET CONTACT | | Thermal Protector | SILICON RECTIFIER | | | | | TRAVERSING MOTOR |
| SYMBOLS | M301, M302, M303 | | TP2 | DPM30 | | | | | TM |
| DESCRIPTION | GMC12 | DMC12 | 17AM032 | AC220V | AC380V | AC440V | AC460V | AC480V | 0.75/0.25KW *4/12P |
| | | | | DC99V | DC171V | DC198V | DC207V | DC216V | |
| MAKER | LS | DONGA | Texas Instruments | LK | | | | | LK |

| | | | | | | | |
|--------------------------------------------------------|---------|----------|----------|---------|-----|---------------|---------|
| TITLE TRAVERSING MOTOR POWER & CONTROL CIRCUIT DIAGRAM | | | | | | PROJECTION | |
| WORK NO 606 | | | | | | WORK NAME DBM | |
| 220V, 380V, 440V, 460V, 480V | | | | | | SCALE 1/1 | Q' TY 1 |
| DRAWN | CHECKED | REVIEWED | APPROVED | MODEL | DBM | | |
| LEE.G.H | | | | CODE NO | | | |
| 2010.07.30 | | | | | | | |
| LK L K HOIST CO., LTD. | | | | | | | |

SCHEDULE OF TECHNICAL DATA

| | |
|---------------------------------------------|-----------------------------|
| 1. SERVICE | HOISTING |
| 2. MANUFACTURE | LK HOIST CO. LTD |
| 3. MOTOR MODEL NO | 4.4/2.2 - 2/6 - 46 |
| 4. RATED POWER | 4.4/2.2 KW × 2/6 P |
| 5. RATED VOLTAGE AND FREQUENCY | 460 V 60HZ |
| 6. MOTOR TYPE | SQUIRREL CAGE ROTOR TYPE |
| 7. RATING | 30 MIN |
| 8. LOCATION | OUTDOOR |
| 9. INSULATION CLASS | B |
| 10. DESIGN TEMPERATURE RISE (BY RESISTANCE) | 80℃ |
| 11. FULL LOAD SPEED | 3440/1140 RPM |
| 12. FULL LOAD CURRENT | 11/5.3 A |
| 13. STARTING CURRENT AT RATED VOLTAGE | 54/28 A |
| 14. MINIMUM STARTING VOLTAGE | 414 V |
| 15. EFFICIENCY AT 100% RATED LOAD | 73/73 % |
| 16. POWER FACTOR AT 100% RATED LOAD | 71/71 % |
| 17. STARTING TORQUE | 243 % |
| 18. TYPE OF ENCLOSURE | 전폐형 |
| 19. TYPE OF BEARING | PL : 6205DD OPL : 6008ZZ |
| 20. MOUNTING | VERTICAL |
| 21. MAXIMUM AMBIENT TEMPURE | 40℃ |
| 22. BEARING LUBRICATION | GREASE |
| 23. STARTING METHOD | FULL VOLTAGE |

SCHEDULE OF TECHNICAL DATA

| | |
|---------------------------------------------|-----------------------------|
| 1. SERVICE | TRAVERSING |
| 2. MANUFACTURE | LK HOIST CO. LTD |
| 3. MOTOR MODEL NO | 0.75 - 4 - 46 |
| 4. RATED POWER | 0.75 KW × 4 P |
| 5. RATED VOLTAGE AND FREQUENCY | 460 V 60HZ |
| 6. MOTOR TYPE | SQUIRREL CAGE ROTOR TYPE |
| 7. RATING | 15 MIN |
| 8. LOCATION | OUTDOOR |
| 9. INSULATION CLASS | B |
| 10. DESIGN TEMPERATURE RISE (BY RESISTANCE) | 100℃ |
| 11. FULL LOAD SPEED | 1670 RPM |
| 12. FULL LOAD CURRENT | 2.3 A |
| 13. STARTING CURRENT AT RATED VOLTAGE | 12.6 A |
| 14. MINIMUM STARTING VOLTAGE | 414 V |
| 15. EFFICIENCY AT 100% RATED LOAD | 65 % |
| 16. POWER FACTOR AT 100% RATED LOAD | 63 % |
| 17. STARTING TORQUE | 250 % |
| 18. TYPE OF ENCLOSURE | 전폐형 |
| 19. TYPE OF BEARING | PL : 6008DD OPL : 6207ZZ |
| 20. MOUNTING | VERTICAL |
| 21. MAXIMUM AMBIENT TEMPURE | 40℃ |
| 22. BEARING LUBRICATION | GREASE |
| 23. STARTING METHOD | FULL VOLTAGE |

SCHEDULE OF TECHNICAL DATA

| | |
|---------------------------------------------|-----------------------------|
| 1. SERVICE | TRAVERSING |
| 2. MANUFACTURE | LK HOIST CO. LTD |
| 3. MOTOR MODEL NO | 0.4 - 6 - 46 |
| 4. RATED POWER | 0.4 KW × 6 P |
| 5. RATED VOLTAGE AND FREQUENCY | 460 V 60HZ |
| 6. ROTOR TYPE | SQUIRREL CAGE ROTOR TYPE |
| 7. RATING | 15 MIN |
| 8. LOCATION | OUTDOOR |
| 9. INSULATION CLASS | B |
| 10. DESIGN TEMPERATURE RISE (BY RESISTANCE) | 100℃ |
| 11. FULL LOAD SPEED | 1140 RPM |
| 12. FULL LOAD CURRENT | 1.53 A |
| 13. STARTING CURRENT AT RATED VOLTAGE | 8.4 A |
| 14. MINIMUM STARTING VOLTAGE | 414 V |
| 15. EFFICIENCY AT 100% RATED LOAD | 65 % |
| 16. POWER FACTOR AT 100% RATED LOAD | 63 % |
| 17. STARTING TORQUE | 249 % |
| 18. TYPE OF ENCLOSURE | 전폐형 |
| 19. TYPE OF BEARING | PL : 6008DD OPL : 6207ZZ |
| 20. MOUNTING | VERTICAL |
| 21. MAXIMUM AMBIENT TEMPERATURE | 40℃ |
| 22. BEARING LUBRICATION | GREASE |
| 23. STARTING METHOD | FULL VOLTAGE |

SCHEDULE OF TECHNICAL DATA

| | |
|---------------------------------------------|-----------------------------|
| 1. SERVICE | TRAVERSING |
| 2. MANUFACTURE | LK HOIST CO. LTD |
| 3. MOTOR MODEL NO | 0.75/0.25 - 4/12 - 46 |
| 4. RATED POWER | 0.75/0.25 KW × 4/12 P |
| 5. RATED VOLTAGE AND FREQUENCY | 460 V 60HZ |
| 6. MOTOR TYPE | SQUIRREL CAGE ROTOR TYPE |
| 7. RATING | 15 MIN |
| 8. LOCATION | OUTDOOR |
| 9. INSULATION CLASS | B |
| 10. DESIGN TEMPERATURE RISE (BY RESISTANCE) | 100℃ |
| 11. FULL LOAD SPEED | 1670 / 550 RPM |
| 12. FULL LOAD CURRENT | 2.3 / 1.44 A |
| 13. STARTING CURRENT AT RATED VOLTAGE | 12.7 / 7.92 A |
| 14. MINIMUM STARTING VOLTAGE | 414 V |
| 15. EFFICIENCY AT 100% RATED LOAD | 65 / 48 % |
| 16. POWER FACTOR AT 100% RATED LOAD | 63 / 45 % |
| 17. STARTING TORQUE | 250 / 243 % |
| 18. TYPE OF ENCLOSURE | 전폐형 |
| 19. TYPE OF BEARING | PL : 6008DD OPL : 6207ZZ |
| 20. MOUNTING | VERTICAL |
| 21. MAXIMUM AMBIENT TEMPURE | 40℃ |
| 22. BEARING LUBRICATION | GREASE |
| 23. STARTING METHOD | FULL VOLTAGE |