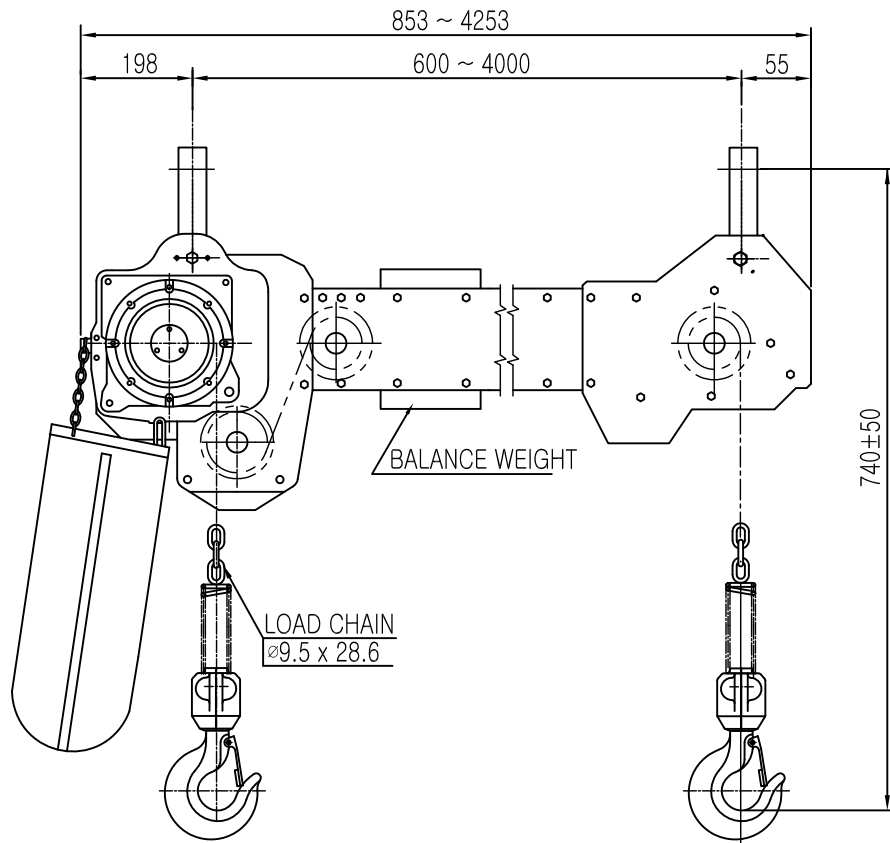
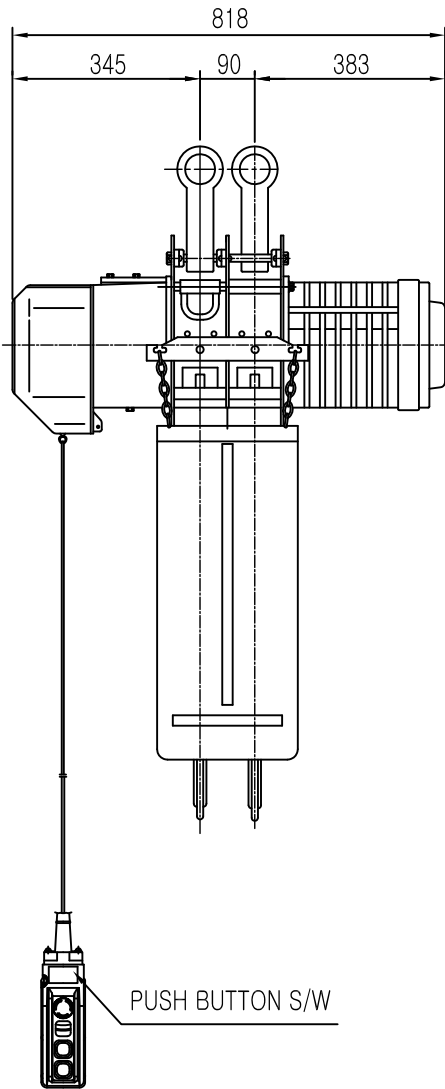


# L K HOIST

ON ㉔MD

NO	DESCRIPTION	SIZE	MAT' L	Q' TY	WT (kg)	REMARKS



SPECIFICATION	
RATED	1.5 TON
TESTING LOAD	1.875 TON
LIFTING HEIGHT	50 M
HOISTING	SPEED 10.3/3.4 M/MIN
	MOTOR 4.4/2.2KW x 2/6P
TRAVERSING	SPEED -
	MOTOR -
POWER SUPPLY	AC220,380,440,460,480 V x 3ø x 60 Hz
OPERATING METHOD	P.B type ON . FL
LOAD CHAIN	ø9.5 x 28.6 (1FALL)
WIEGHT	410 KG

NOTE)

- 1) 점검 설비를 갖출것.
- 2) 인허가 서류를 완성검사시 제출할것.

REV.NO	DATE	REVISION	DESCRIPTION	DRAWN	CHECKED	APPROVED

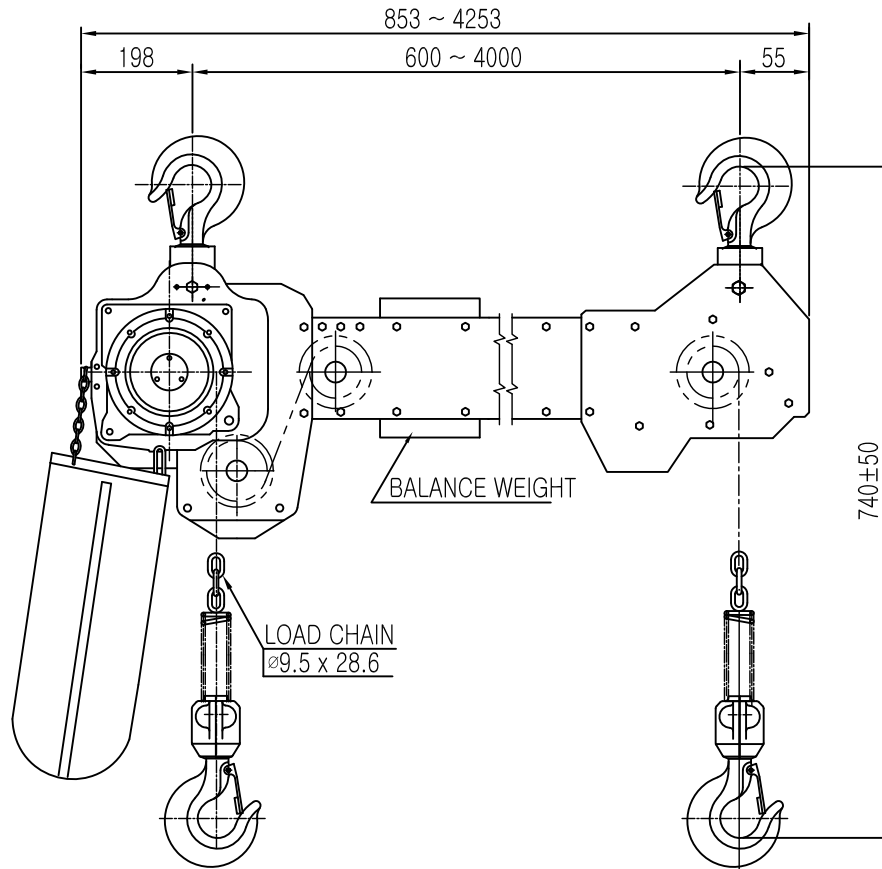
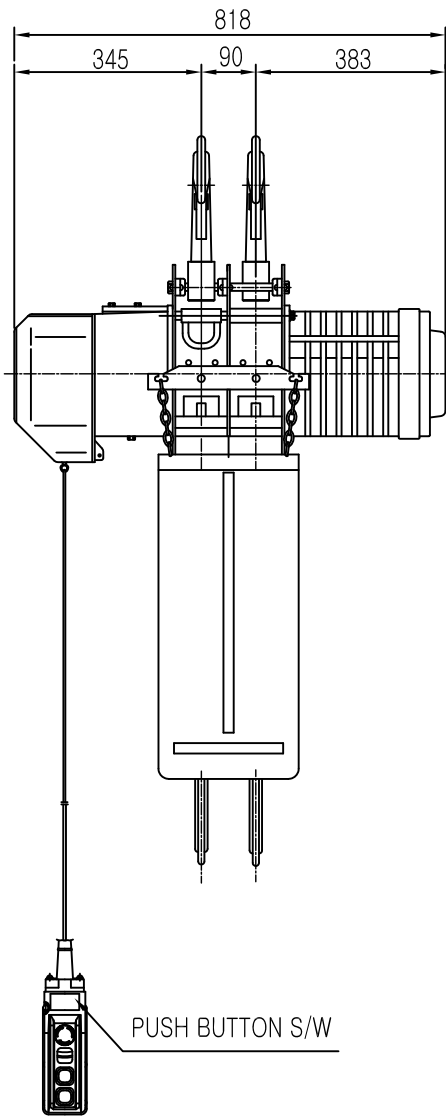
TITLE				PROJECTION	
DHDB-1.5S ELECTRIC CHAIN HOIST					
WORK NO	WORK NAME			SCALE	Q' TY
	CONNECTOR TYPE			N.S	1
DRAWN	CHECKED	REVIEWED	APPROVED	DRAWING NO	
김 창 기				CORD NO	
2010.08.01					

**LK** L K HOIST CO., LTD.

ON 3MG

# L K HOIST

NO	DESCRIPTION	SIZE	MAT' L	Q' TY	WT (kg)	REMARKS



SPECIFICATION		
RATED	1.5	TON
TESTING LOAD	1.875	TON
LIFTING HEIGHT	50	M
HOISTING	SPEED	10.3/3.4 M/MIN
	MOTOR	4.4/2.2KW x 2/6P
TRAVERSING	SPEED	-
	MOTOR	-
POWER SUPPLY	AC220,380,440,460,480 V x 3ø x 60 Hz	
OPERATING METHOD	P.B type ON . FL	
LOAD CHAIN	ø9.5 x 28.6 (1FALL)	
WIEGHT	410 KG	

NOTE)

- 1) 점검 설비를 갖출것.
- 2) 인허가 서류를 완성검사시 제출할것.

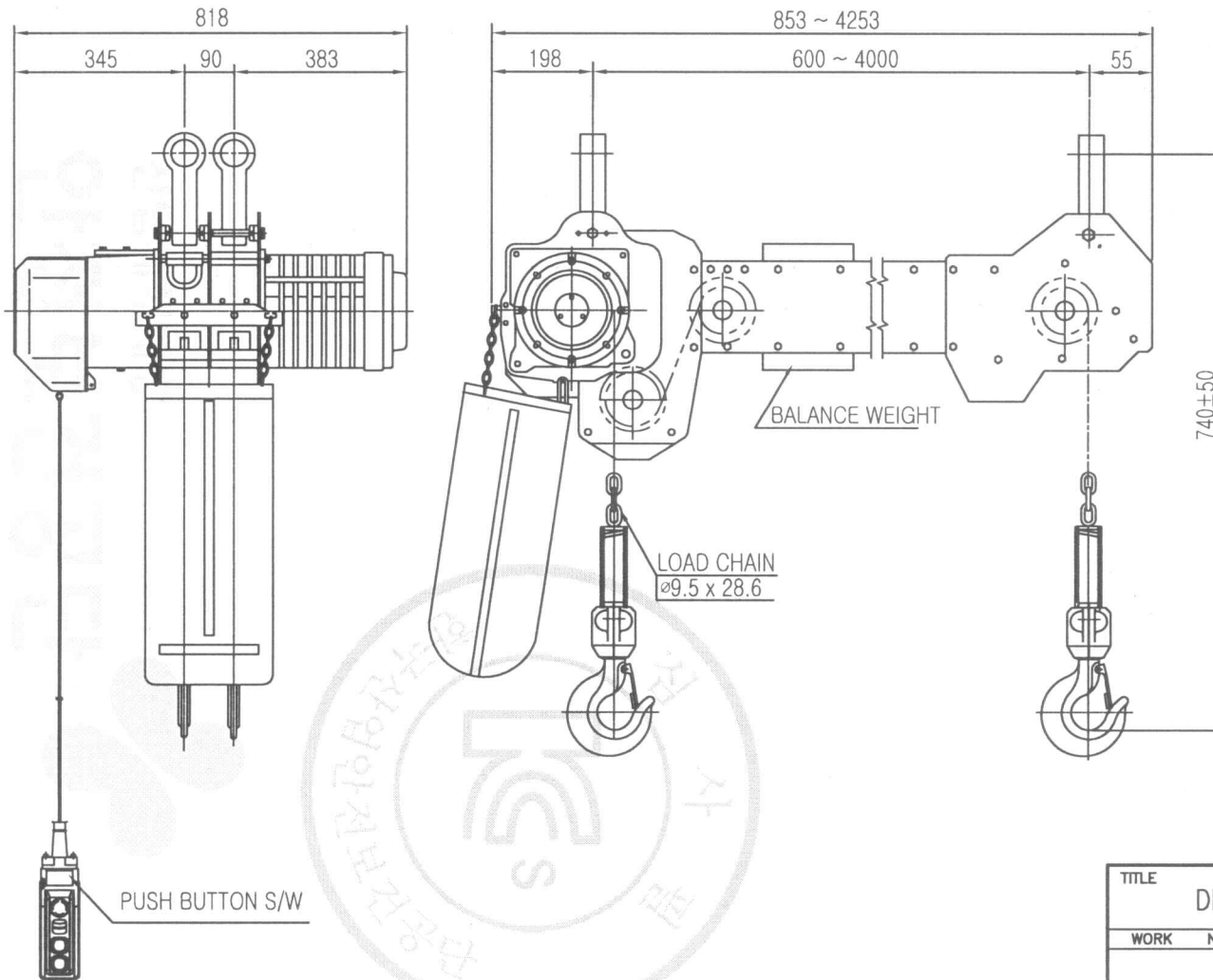
REV.NO	DATE	REVISION	DESCRIPTION	DRAWN	CHECKED	APPROVED

TITLE					PROJECTION	
DHDB-1.5S ELECTRIC CHAIN HOIST						
WORK NO	WORK NAME				SCALE	Q' TY
	HOOK TYPE				N.S	1
DRAWN	CHECKED	REVIEWED	APPROVED	DRAWING NO		
김 창 기				CORD NO		
2010.08.01						

ON GMD

# L K HOIST

NO	DESCRIPTION	SIZE	MAT'L	Q'TY	WT (kg)	REMARKS



SPECIFICATION		
RATED	1.5	TON
TESTING LOAD	1.875	TON
LIFTING HEIGHT	50	M
HOISTING	SPEED	10.3/3.4 M/MIN
	MOTOR	4.4/2.2KW x 2/6P
TRAVERSING	SPEED	-
	MOTOR	-
POWER SUPPLY	AC220,380,440,460,480 V x 3ø x 60 Hz	
OPERATING METHOD	P.B type ON . FL	
LOAD CHAIN	ø9.5 x 28.6 (1FALL)	
WIEGHT	410 KG	

NOTE)

- 1) 점검 설비를 갖출것.
- 2) 인허가 서류를 완성검사시 제출할것.

물범복제 및 배포금지

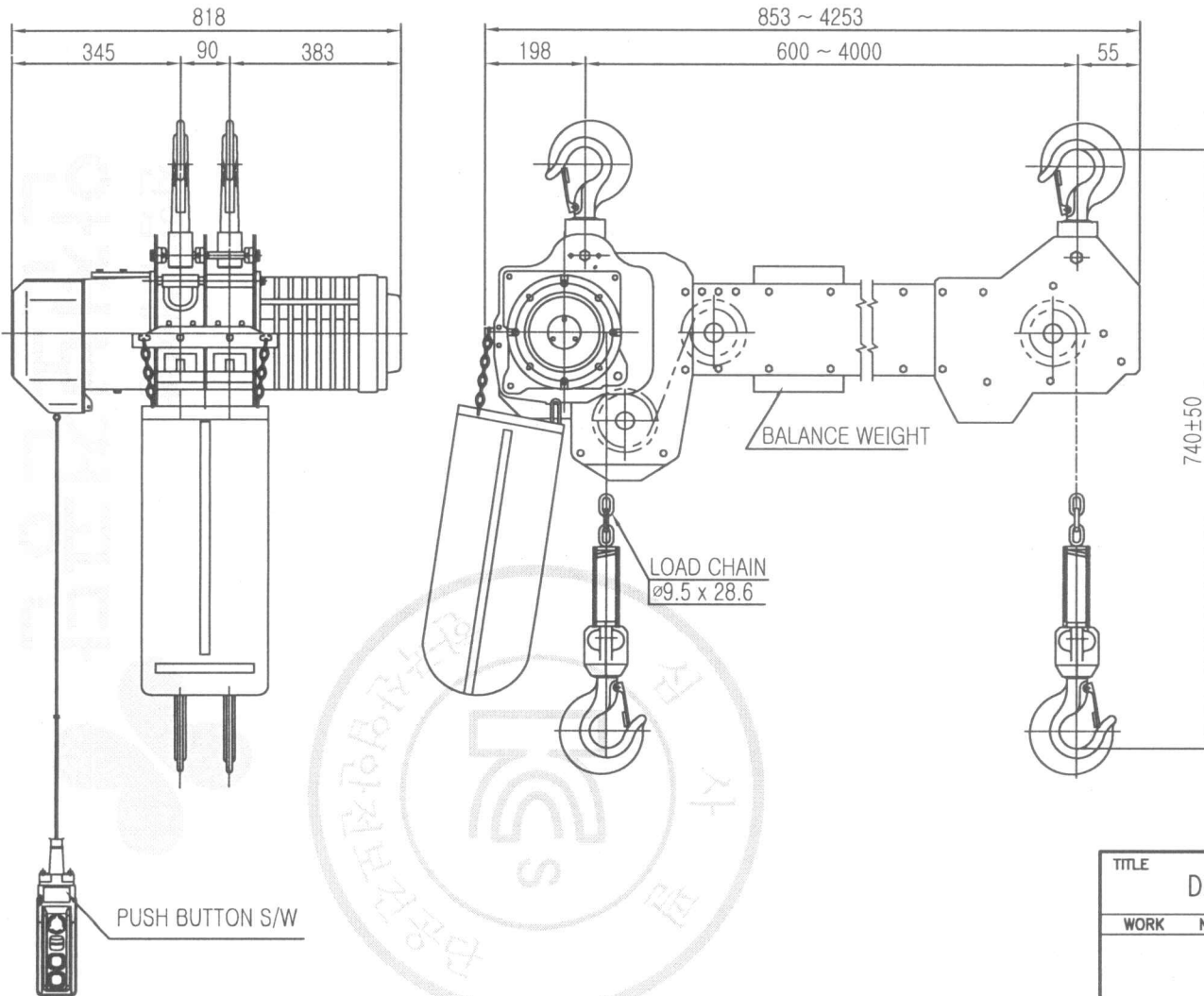
REV.NO	DATE	REVISION	DESCRIPTION	DRAWN	CHECKED	APPROVED

TITLE					PROJECTION	
DHDB-1.5S ELECTRIC CHAIN HOIST						
WORK NO	WORK NAME				SCALE	Q' TY
	CONNECTOR TYPE				N.S	1
DRAWN	CHECKED	REVIEWED	APPROVED	DRAWING NO		
김 창 기				CORD NO		
2010.08.01						

# L K HOIST

ON 9MD

NO	DESCRIPTION	SIZE	MAT' L	Q' TY	WT (kg)	REMARKS



SPECIFICATION		
RATED	1.5	TON
TESTING LOAD	1.875	TON
LIFTING HEIGHT	50	M
HOISTING	SPEED	10.3/3.4 M/MIN
	MOTOR	4.4/2.2KW x 2/6P
TRAVERSING	SPEED	-
	MOTOR	-
POWER SUPPLY	AC220,380,440,460,480 V x 3ø x 60 Hz	
OPERATING METHOD	P.B type ON . FL	
LOAD CHAIN	ø9.5 x 28.6 (1FALL)	
WIEGHT	410 KG	

**NOTE)**

- 1) 점검 설비를 갖추실것.
- 2) 인허가 서류를 완성검사시 제출할것.

물범복제 및 배포금지

TITLE		DHDB-1.5S ELECTRIC CHAIN HOIST		PROJECTION	
WORK NO		WORK NAME		SCALE	
		HOOK TYPE		N.S	
DRAWN		CHECKED	REVIEWED	APPROVED	DRAWING NO
김창기					
2010.08.01					CORD NO
		L K HOIST CO., LTD.			

REV.NO	DATE	REVISION	DESCRIPTION	DRAWN	CHECKED	APPROVED