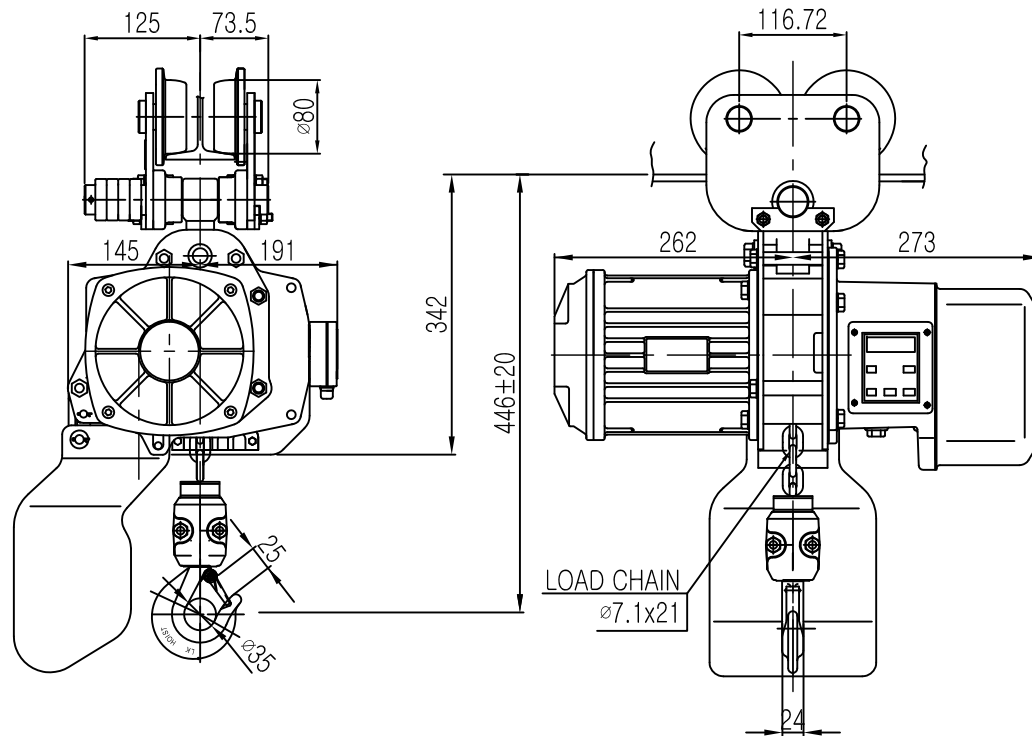


ON GMD

L K HOIST

NO	DESCRIPTION	SIZE	MAT'L	Q'TY	WT (kg)	REMARKS

제조일 : 0000-00-00
 형식번호 : 00-000-00
 정격하중 : 00-000-00
 제조자 : (주)LK



SPECIFICATION

		LTP-1S	
RATED LOAD	(TON)	1.0	
TESTING LOAD	(TON)	1.25	
LIFTING HEIGHT	(M)	50	
HOISTING	SPEED (M/MIN)	8.2	5.4
	MOTOR (KW)	1.8kw x 4p	1.2kw x 6p
TRAVERSING	SPEED (M/MIN)	-	-
	MOTOR (KW)	-	-
POWER SUPPLY	AC220,380,440,460,480Vx3ø x 60 Hz		
OPERATING METHOD	P.B type ON . FL		
LOAD CHAIN	ø7.1 X 21(1FALL)		
WEIGHT	(KG)	121	
I-BEAM 적용폭	75 ~ 175MM		

NOTE)

- 1)점검 설비를 갖출 것
- 2)인허가 서류를 완성검사시 제출 할 것

적용 I-BEAM)

- 1) I- 150 X75 X5.5/9.5 - 2.8M
- 2) I- 200 X100 X7/10 - 4.5M
- 3) I- 250 X125 X7.5/12.5 - 6.5M
- 4) I- 300 X150 X10/18.5 - 9.5M
- 5) I- 450 X175 X13/26 - 15M

TITLE				PROJECTION	
CHAIN HOIST LTP-1S					
WORK NO	WORK NAME			SCALE	Q'TY
				N S	1
DRAWN	CHECKED	REVIEWED	APPROVED	DRAWING NO	
김 창 기					
2010.07.15					

REV.NO	DATE	REVISION	DESCRIPTION	DRAWN	CHECKED	APPROVED