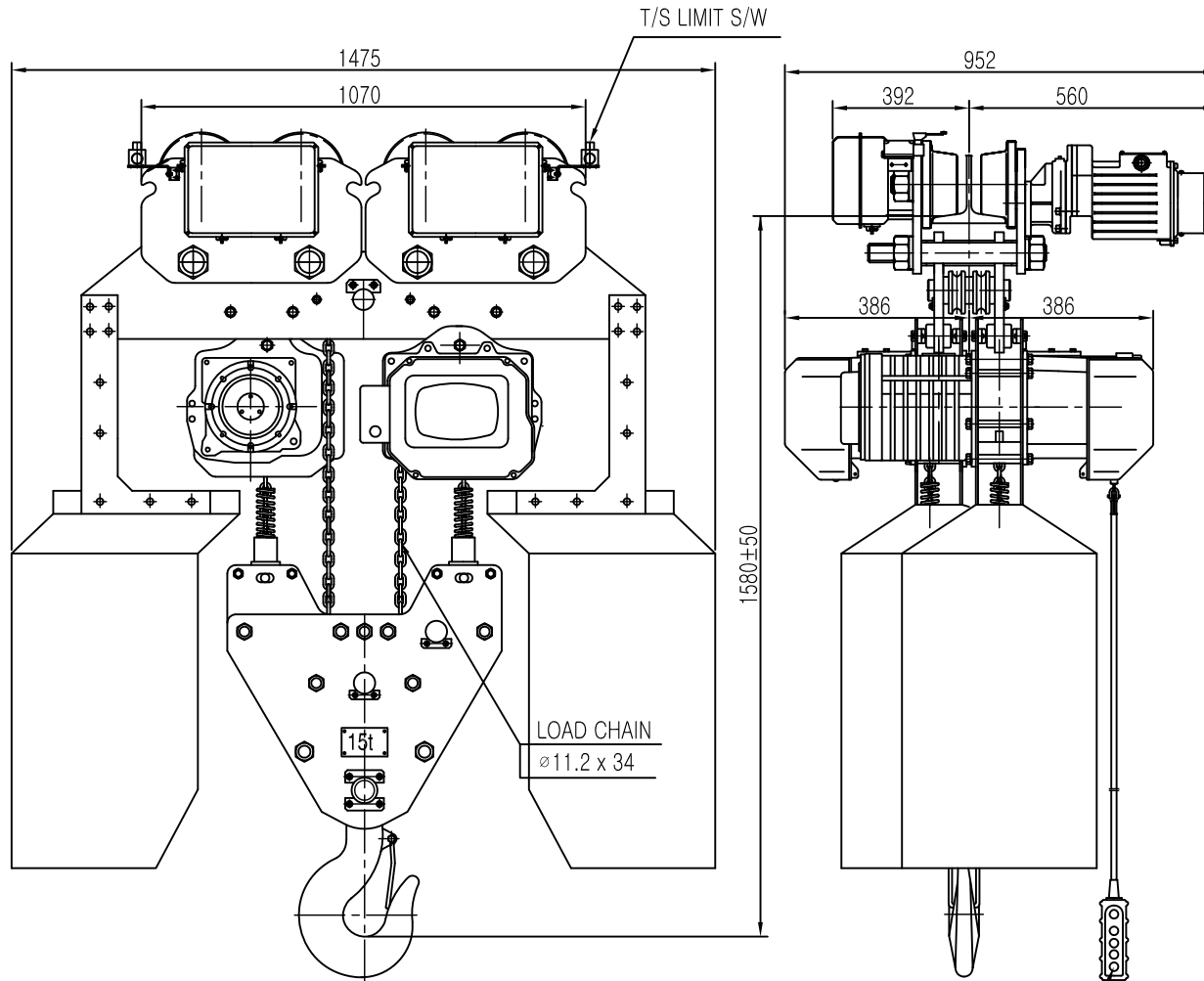


# L K HOIST

ON DRAWING NO

NO	DESCRIPTION	SIZE	MAT L	Q' TY	WT (kg)	REMARKS



## SPECIFICATION

		LK-DAM-15W		
RATED LOAD (TON)		15		
TESTING LOAD (TON)		18.75		
LIFTING HEIGHT (M)		50		
HOISTING	SPEED (M/MIN)	2.1		
	MOTOR (KW)	3.5kw x 4p (2SET)		
TRAVERSING	SPEED (M/MIN)	15	10	15/5
	MOTOR (KW)	0.75kw x 4p (2SET)	0.4kw x 6p (2SET)	0.75/0.25kw x 4/12p (2SET)
POWER SUPPLY		AC220.380.440.460.480Vx3ø x 60 Hz		
OPERATING METHOD		P.B type ON . FL		
LOAD CHAIN		ø11.2 X 34 (6FALL)		
WEIGHT (KG)		1680KG		
I-BEAM 적용폭		150 ~ 190MM		

### 적용 I-BEAM)

- 1) 지점간거리 : I-300X150X10/18.5-1.5M
- 2) 지점간거리 : I-450X175X13/26-4.0M
- 3) 지점간거리 : I-600X190X13/25-6.0M

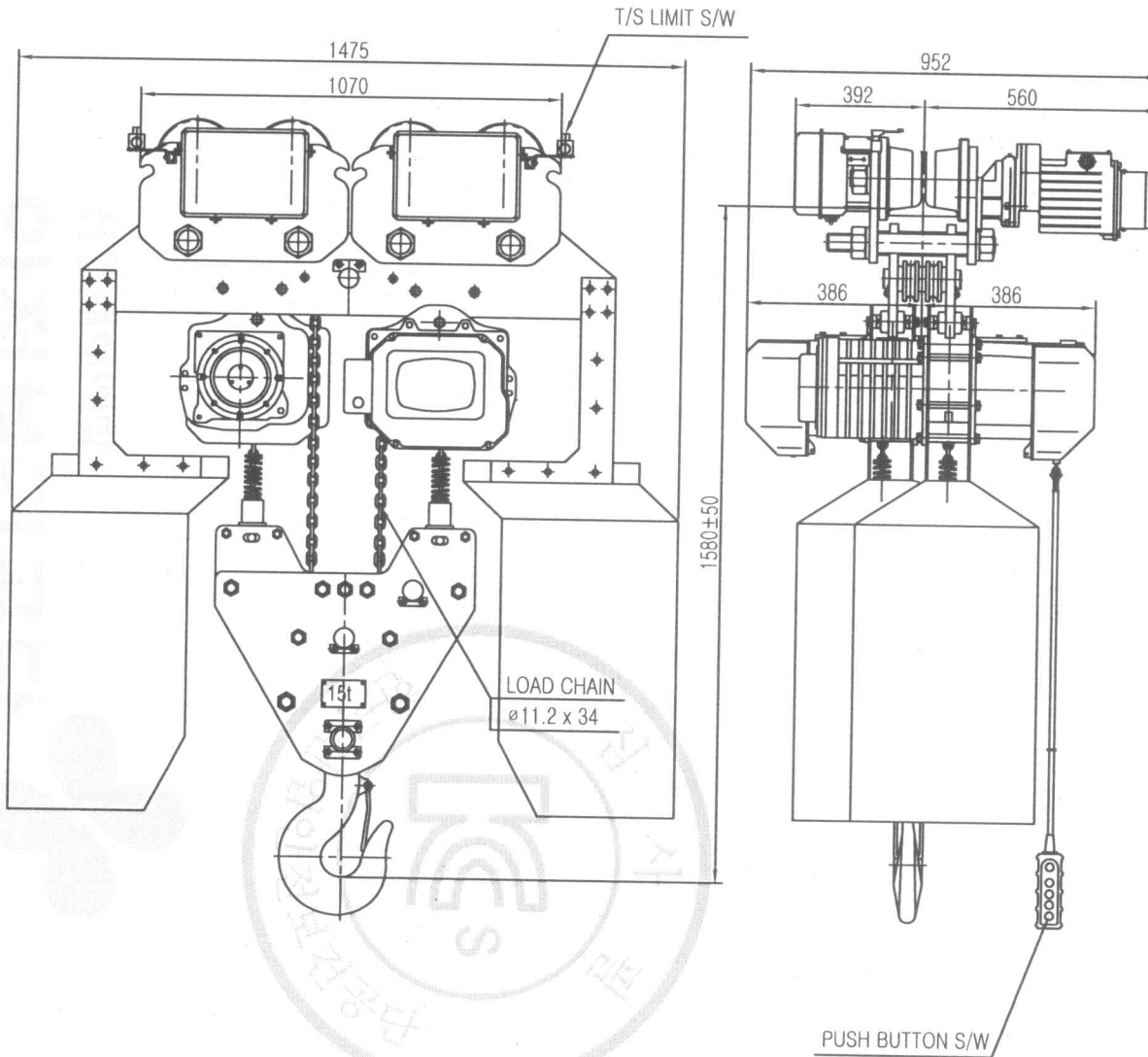
### NOTE)

- 1)점검 설비를 갖추실 것
- 2)인허가 서류를 완성검사시 제출 할 것

REV.NO	DATE	REVISION	DESCRIPTION	DRAWN	CHECKED	APPROVED

TITLE					PROJECTION		
<b>DAM-15W ELECTRIC CHAIN HOIST</b>							
WORK NO	WORK NAME				SCALE	Q' TY	
	<b>LK-DAM-15W</b>				N S	1	
DRAWN	CHECKED	REVIEWED	APPROVED	DRAWING NO			
김 창 기				CODE NO			
2010.08.01							

NO	DESCRIPTION	SIZE	MAT L	Q' TY	WT (kg)	REMARKS



SPECIFICATION

		LK-DAM-15W		
RATED LOAD (TON)		15		
TESTING LOAD (TON)		18.75		
LIFTING HEIGHT (M)		50		
HOISTING	SPEED (M/MIN)	2.1		
	MOTOR (KW)	3.5kw x 4p (2SET)		
TRAVERSING	SPEED (M/MIN)	15	10	15/5
	MOTOR (KW)	0.75kw x 4p (2SET)	0.4kw x 6p (2SET)	0.75/0.25kw x 4/12p (2SET)
POWER SUPPLY		AC220.380.440.460.480V $\times$ 3 $\phi$ x 60 Hz		
OPERATING METHOD		P.B type ON . FL		
LOAD CHAIN		$\phi$ 11.2 X 34 (6FALL)		
WEIGHT (KG)		1680KG		
I-BEAM 적용폭		150 ~ 190MM		

적용 I-BEAM)

- 1) 지점간거리 : I-300X150X10/18.5-1.5M
- 2) 지점간거리 : I-450X175X13/26-4.0M
- 3) 지점간거리 : I-600X190X13/25-6.0M

NOTE)

- 1)점검 설비를 갖추실 것
- 2)인허가 서류를 완성검사시 제출 할 것

물범복제 및 배포금지

REV.NO	DATE	REVISION	DESCRIPTION	DRAWN	CHECKED	APPROVED

TITLE					PROJECTION	
DAM-15W ELECTRIC CHAIN HOIST						
WORK NO	WORK NAME					
LK-DAM-15W					SCALE	Q' TY
					N S	1
DRAWN	CHECKED	REVIEWED	APPROVED	DRAWING NO		
김 창 기						
2010.08.01				CODE	NO	
L K HOIST CO., LTD.						