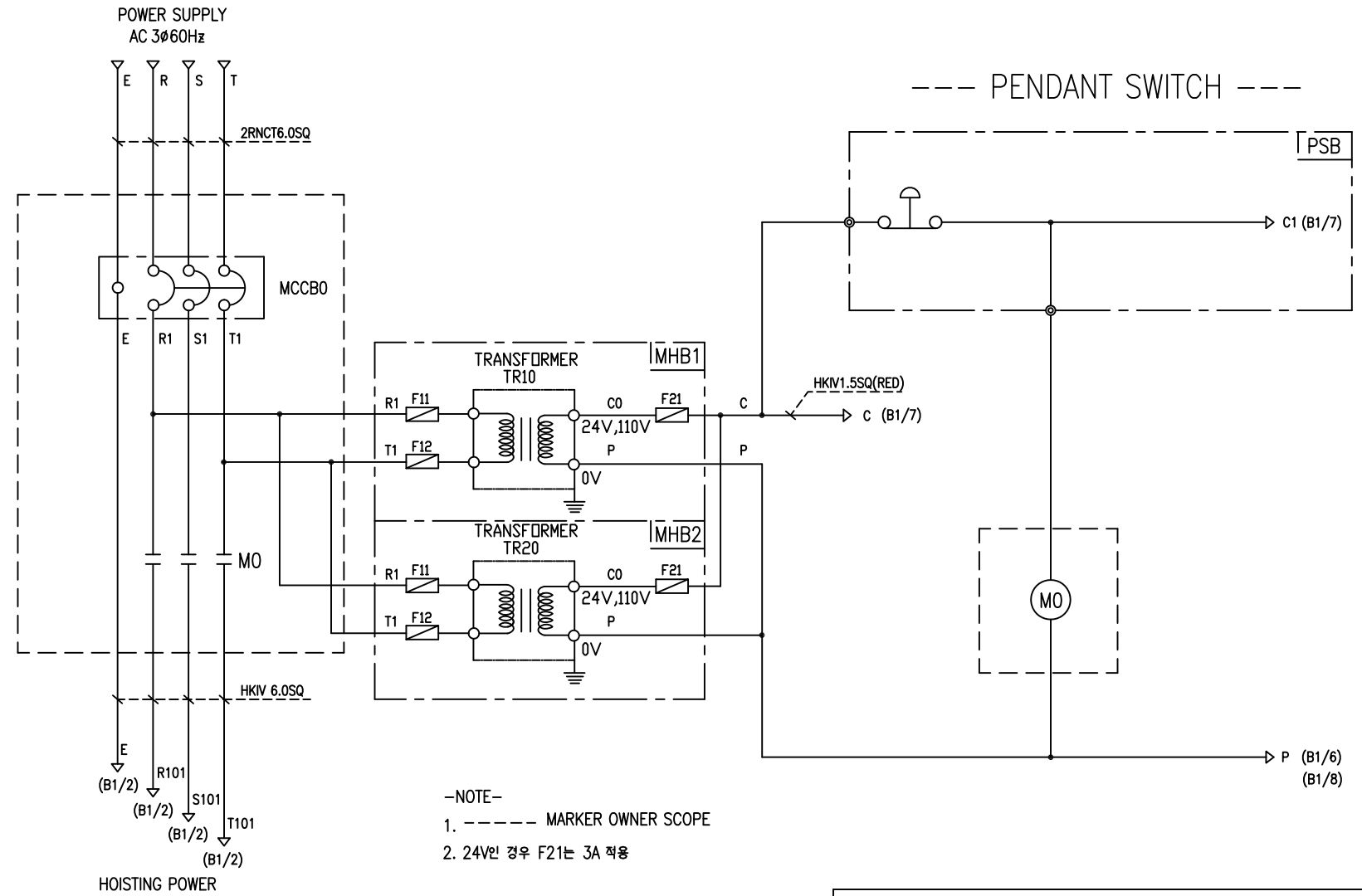


POWER CIRCUIT

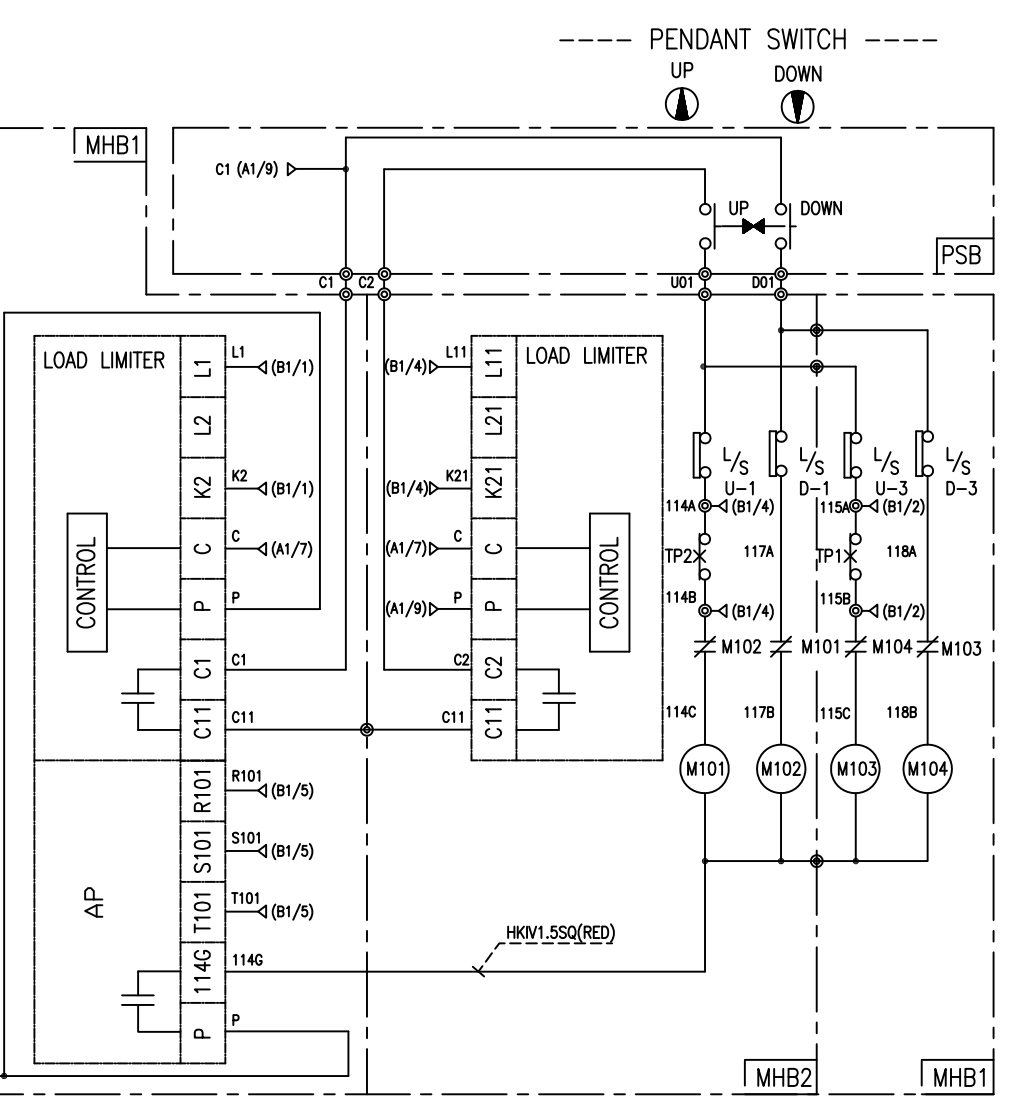
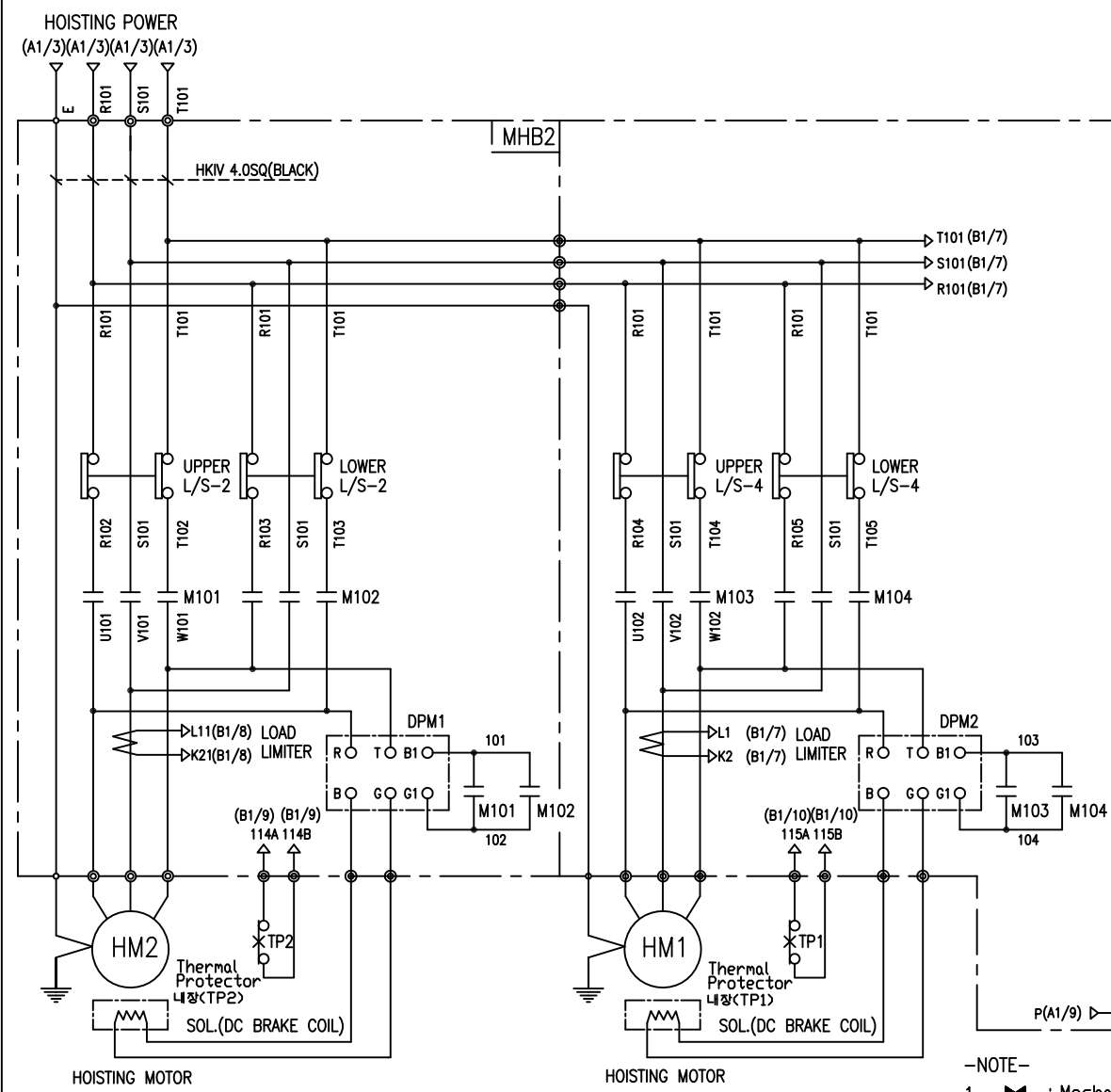
CONTROL CIRCUIT



- NOTE-
1. ----- MARKER OWNER SCOPE
 2. 24V인 경우 F21는 3A 적용

SPECIFICATION	NO FUSE BREAKER	MAGNET CONTACT	TRANSFORMER	FUSE		
SYMBOLS	MCCBO	MO	TR10, TR20	F11, F12, F21		
DESCRIPTION	220V	75A	GMC32	DMC32	60VA	1A
	380V	50A				
	440V	40A				
	460V	40A				
480V	40A					
MAKER	LS	LS	DONGA	LK	-	

TITLE						PROJECTION	
MAIN POWER & CONTROL CIRCUIT DIAGRAM							
WORK NO	WORK NAME					SCALE	Q' TY
601	DA					1/1	1
220V, 380V, 440V, 460V, 480V							
DRAWN	CHECKED	REVIEWED	APPROVED	MODEL	DA		
LEE.G.H				CODE NO			
2020.01.31							
L K HOIST CO., LTD.							



-NOTE-
1. : Mechanical Interlock

SPECIFICATION	MAGNET CONTACT	LOAD LIMITER	SILICON RECTIFIER				Thermal Protector	HOIST MOTOR
SYMBOLS	M101, M102, M103, M104	-	DPM1 & DPM2				TP1, TP2	HM1, HM2
DESCRIPTION	GMC22, DMC22	LKDL-50A, LKDL-60A	AC220V, DC99V	AC440V, DC198V	AC460V, DC207V	AC480V, DC216V	17AM032	3.5Kw * 4P (2SET)
MAKER	LS, DONGA	LK	LK				Texas Instruments	LK

TITLE HOIST POWER & CONTROL CIRCUIT DIAGRAM						PROJECTION 	
WORK NO. 602		WORK NAME DA				SCALE 1/1	Q' TY 1
220V, 440V, 460V, 480V							
DRAWN LEE.G.H	CHECKED	REVIEWED	APPROVED	MODEL DA	CODE NO		
2020.01.31							
L K HOIST CO., LTD.							

SCHEDULE OF TECHNICAL DATA

1. SERVICE	HOISTING
2. MANUFACTURE	LK HOIST CO. LTD
3. MOTOR MODEL NO	3.5 - 4 - 22
4. RATED POWER	3.5 KW × 4 P
5. RATED VOLTAGE AND FREQUENCY	220 V 60HZ
6. MOTOR TYPE	SQUIRREL CAGE ROTOR TYPE
7. RATING	30 MIN
8. LOCATION	IN-DOOR , OUTDOOR
9. INSULATION CLASS	B
10. DESIGN TEMPERATURE RISE (BY RESISTANCE)	80℃
11. FULL LOAD SPEED	1740 RPM
12. FULL LOAD CURRENT	17.2 A
13. STARTING CURRENT AT RATED VOLTAGE	85.1 A
14. MINIMUM STARTING VOLTAGE	198 V
15. EFFICIENCY AT 100% RATED LOAD	73.5 %
16. POWER FACTOR AT 100% RATED LOAD	72.7 %
17. STARTING TORQUE	240 %
18. TYPE OF ENCLOSURE	전폐형(IP-54)
19. TYPE OF BEARING	PL : 6205DD OPL : 6008ZZ
20. MOUNTING	VERTICAL
21. MAXIMUM AMBIENT TEMPURE	40℃
22. BEARING LUBRICATION	GREASE
23. STARTING METHOD	FULL VOLTAGE