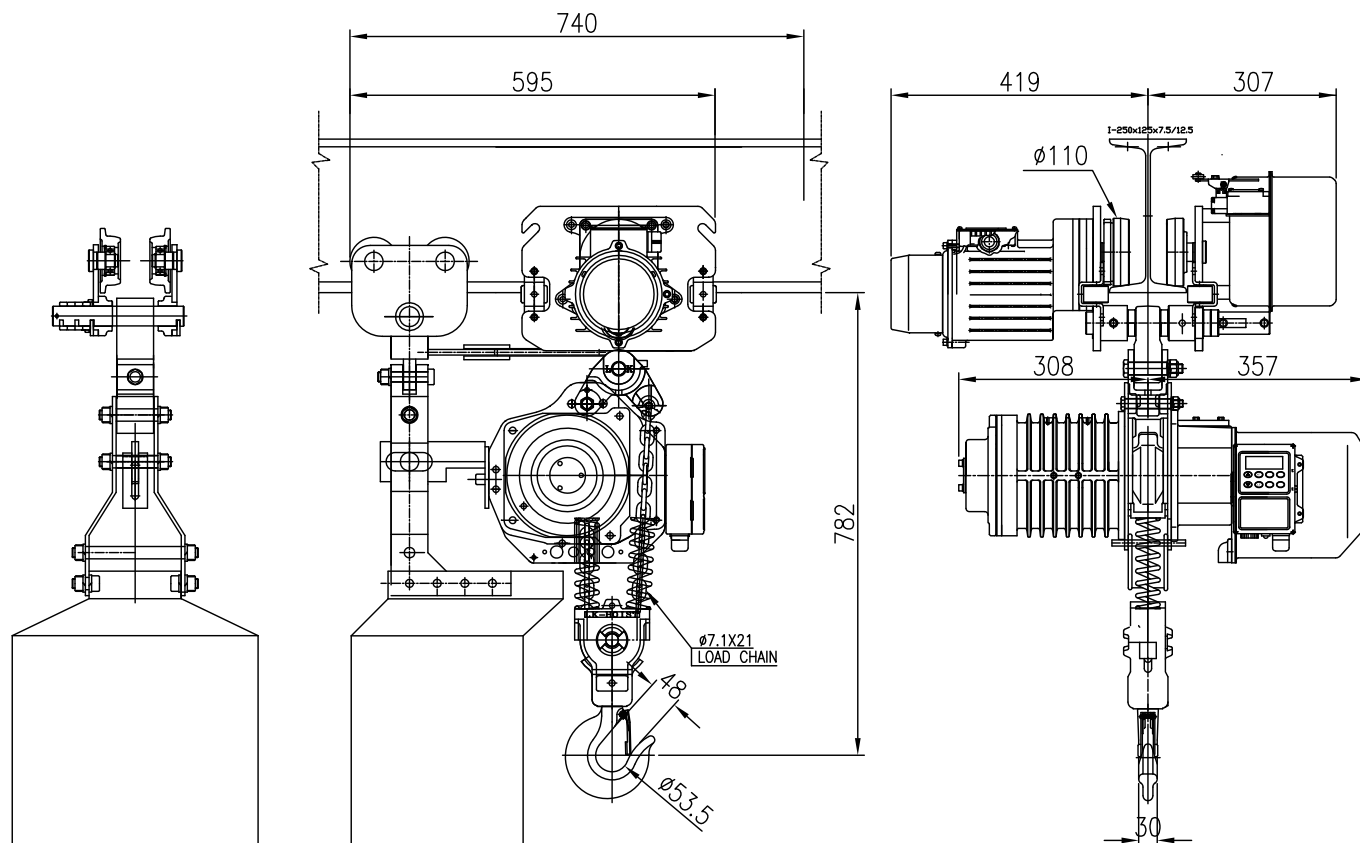


# L K HOIST

NO	DESCRIPTION	MAT' L	Q' TY	WT (kg)	REMARKS



## SPECIFICATION

		LK-EDAM-2W	
RATED LOAD	(TON)	2.0	
TESTING LOAD	(TON)	2.5	
LIFTING HEIGHT	(M)	50	
HOISTING	SPEED (M/MIN)	4.1	
	MOTOR (KW)	1.8kw x 4p	
TRAVERSING	SPEED (M/MIN)	21	14
	MOTOR (KW)	0.75kw x 4p	0.4kw x 6p
POWER SUPPLY	AC220.380.440.460.480Vx3φ x 60 Hz		
OPERATING METHOD	P.B type ON . FL		
LOAD CHAIN	φ7.1 X 21(2FALL)		
WEIGHT	(KG)	240KG	
I-BEAM 적용폭	100 ~ 190MM		

### 적용 I-BEAM)

- 1) 지점간 거리: I-200X100X7/10 - 3.0M
- 2) 지점간거리 : I-250X125X7.5/12.5-5.0M
- 3) 지점간거리 : I-300X150X10/18.5-7.5M
- 4) 지점간거리 : I-450X175X13/26-12M
- 5) 지점간거리 : I-600X190X13/25-15M

REV.NO	DATE	REVISION	DESCRIPTION	DRAWN	CHECKED	APPROVED

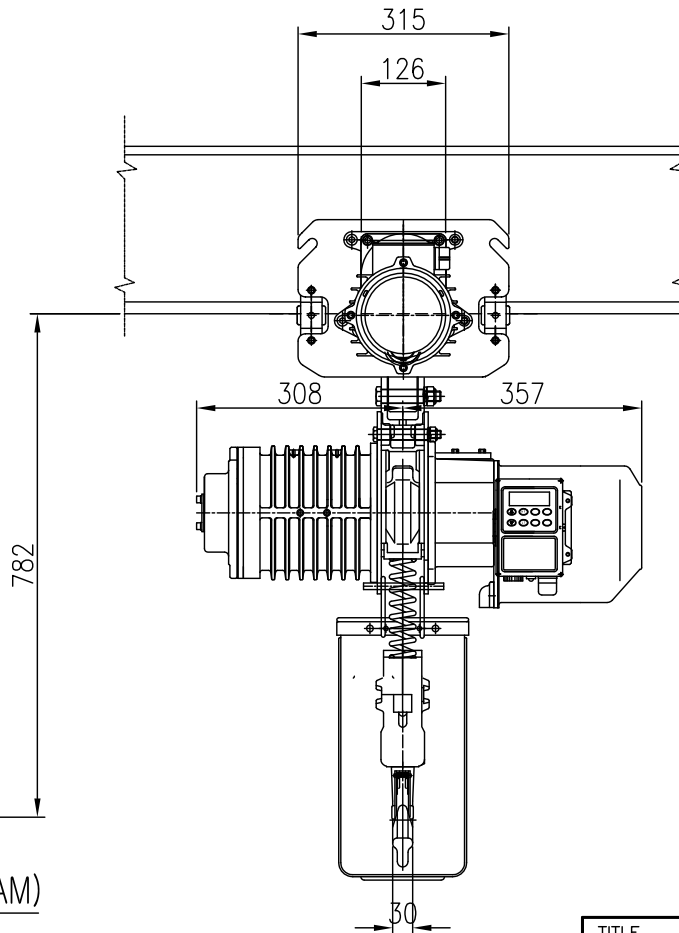
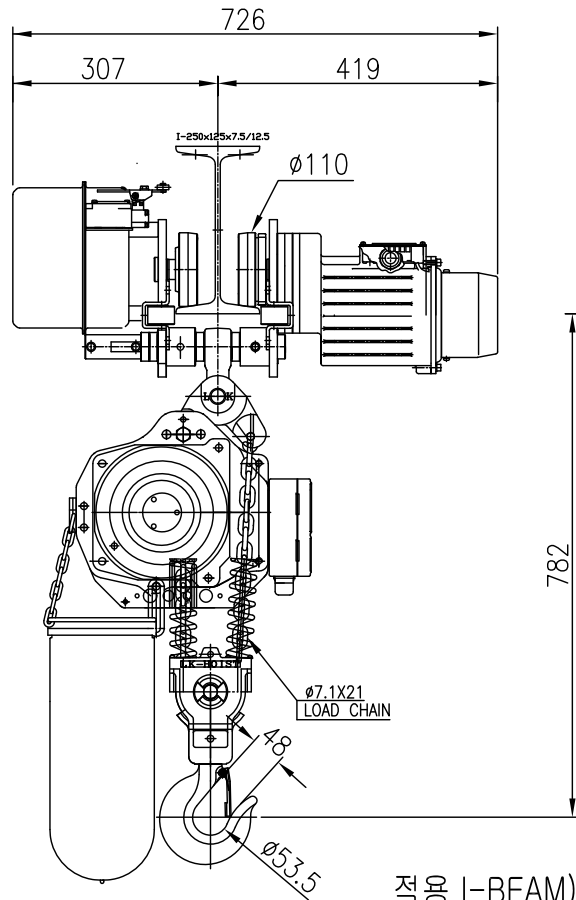
TITLE				PROJECTION	
ELECTRIC CHAIN HOIST LK-EDAM-2W					
WORK NO	WORK NAME			SCALE	Q' TY
4	LK-EDAM-2W			1/1	1
DRAWN	CHECKED	REVIEWED	APPROVED	DRAWING NO	
김창기				CODE NO	
2013.11.05					



L K HOIST CO., LTD.

# L K HOIST

NO	DESCRIPTION	MAT' L	Q' TY	WT (kg)	REMARKS



## SPECIFICATION

		LK-EDAM-2W	
RATED LOAD	(TON)	2.0	
TESTING LOAD	(TON)	2.5	
LIFTING HEIGHT	(M)	50	
HOISTING	SPEED (M/MIN)	4.1	
	MOTOR (KW)	1.8kw x 4p	
TRAVERSING	SPEED (M/MIN)	21	14
	MOTOR (KW)	0.75kw x 4p	0.4kw x 6p
POWER SUPPLY	AC220.380.440.460.480Vx3ø x 60 Hz		
OPERATING METHOD	P.B type ON . FL		
LOAD CHAIN	ø7.1 X 21(2FALL)		
WEIGHT	(KG)	240KG	
I-BEAM 적용폭	100 ~ 190MM		

적용 I-BEAM)

- 1) 지점간 거리: I-200X100X7/10 - 3.0M
- 2) 지점간거리 : I-250X125X7.5/12.5-5.0M
- 3) 지점간거리 : I-300X150X10/18.5-7.5M
- 4) 지점간거리 : I-450X175X13/26-12M
- 5) 지점간거리 : I-600X190X13/25-15M

TITLE					PROJECTION	
ELECTRIC CHAIN HOIST LK-EDAM-2W						
WORK NO	WORK NAME				SCALE	Q' TY
4	LK-EDAM-2W				1/1	1
DRAWN	CHECKED	REVIEWED	APPROVED	DRAWING NO		
김 창 기				CODE NO		
2013.11.05						
L K HOIST CO., LTD.						