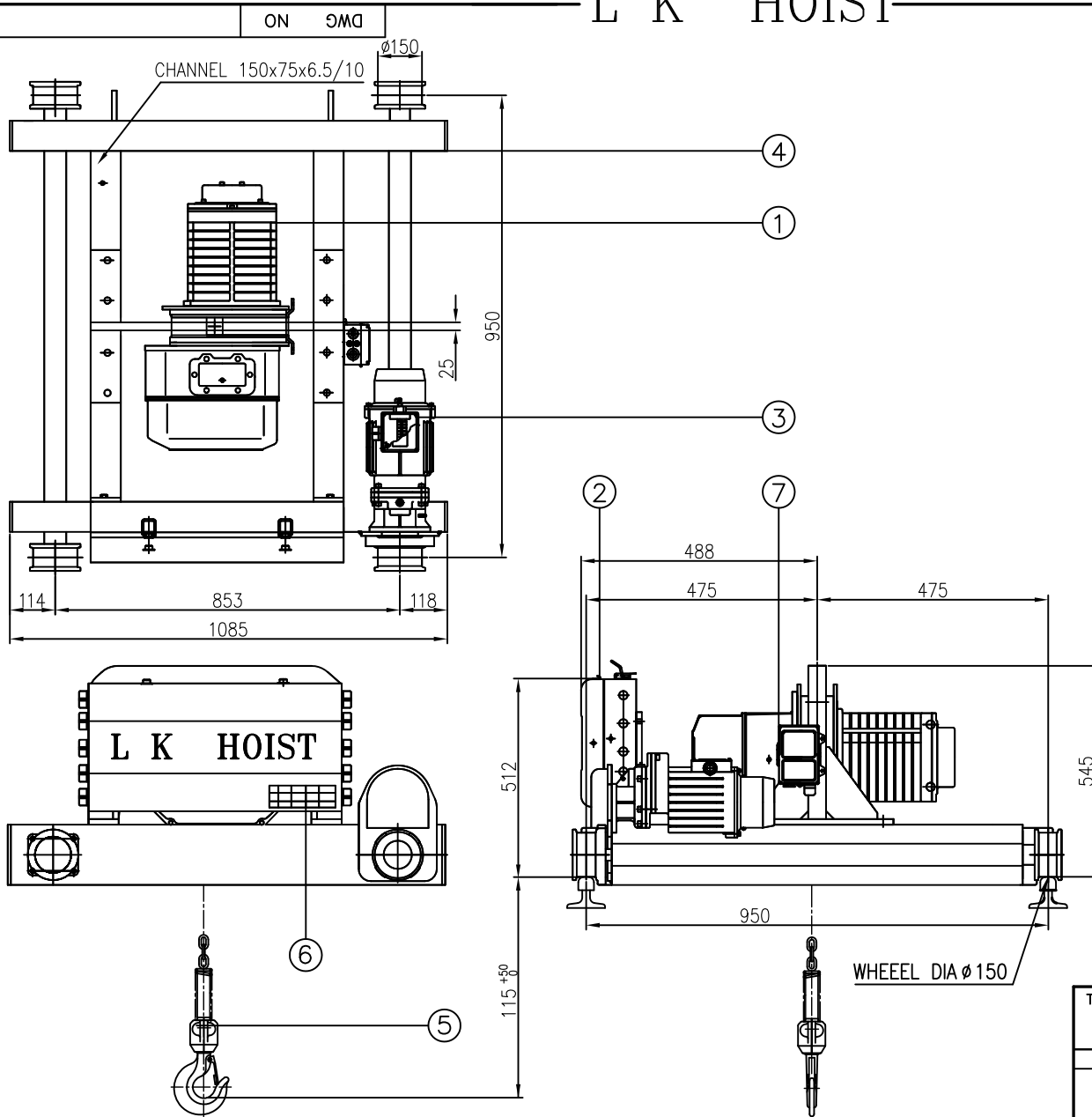


L K HOIST



	DESCRIPTION	SIZE	MAT'	REMARKS
1	HOISTING MOTOR ASS'Y		1	
2	HOISTING CONTROL ASS'Y		1	
3	GEARD MOTOR ASS'Y		1	
4	GRAB PART ASS'Y		1	
5	BOTTOM HOOK ASS'Y		1	
6	NAME PLATE		1	
7	LOAD LIMITEER		1	

SPECIFICATION			
RATED LOAD	1.5 TON		
TESTING LOAD	1.875 TON		
LIFTING HEIGHT	30 M		
HOISTING SPEED/MOTOR	10.3/3.4 m/min	4.4/2.2KW(2/6P)	
TRAVERSING SPEED/MOTOR	24m/min	0.75KW(4P)	
	16m/min	0.5KW(6P)	
	17/5.4m/min * 0.75/0.25kw * 4/12p		
POWER SUPPLY	AC220,380,440,460V,480Vx3φ x 60 Hz		
OPERATING METHOD	P.B type ON . FL		
WIEGHT	323kg		
RAIL	15KG/M		
CHAIN 사양	φ9.5 X 28.6(1줄)		
RAIL GgeR	950		

NOTE)
 1. 점검 설비를 갖출 것.
 2. 인허가 서류를 완성 검사시 제출 할 것.

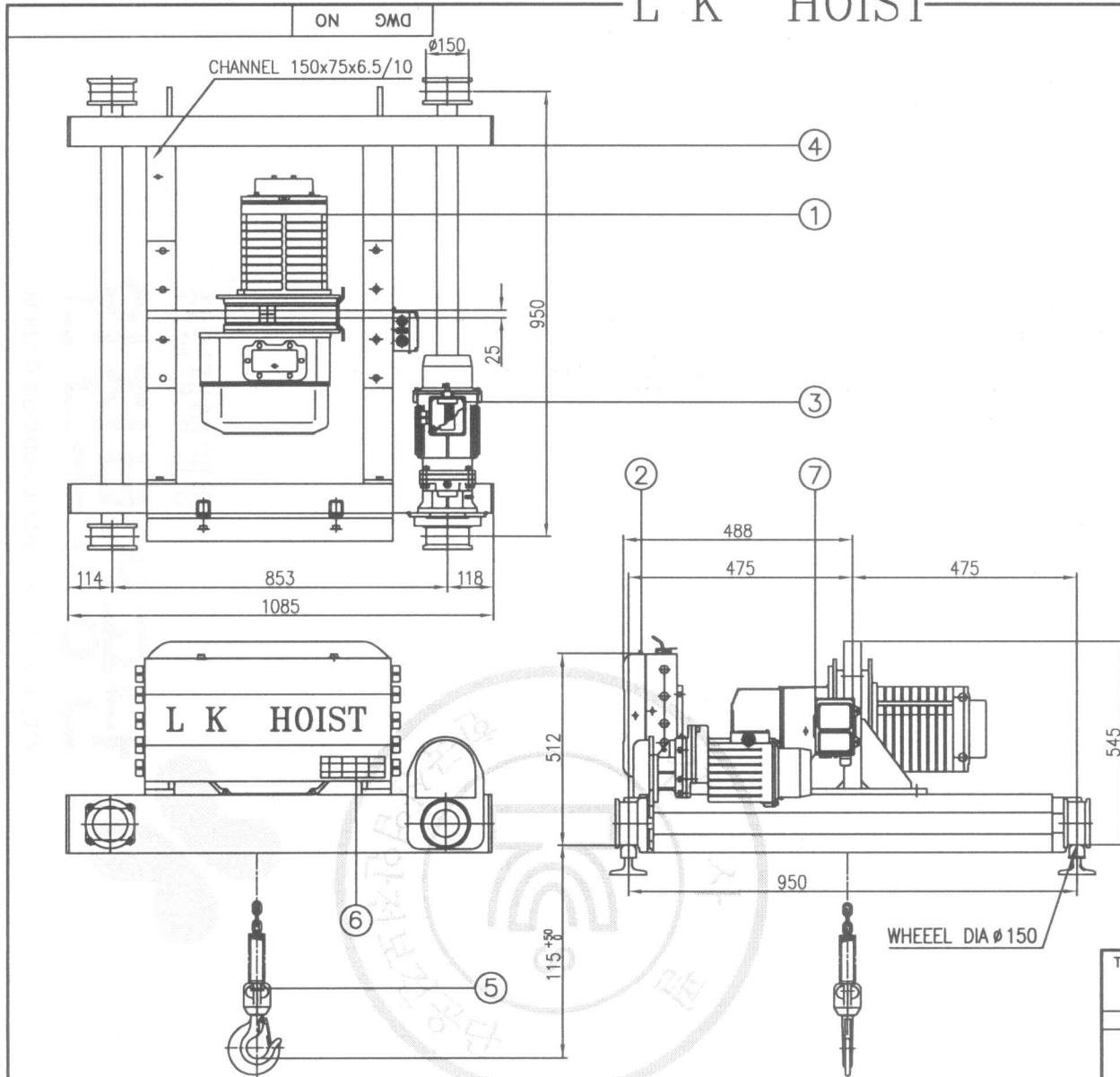
TITLE					PROJECTION	
DBD-1.5S CHAIN HOIST						
WORK NO	WORK NAME				SCALE	Q' TY
	LK-DBD-1.5S					
DRAWN	CHECKED	REVIEWED	APPROVED	DRAWING NO		
김 창 기						
2010.09.16				CODE NO		

가공별	치수	3-6	6-30	30-120	120-315	315-1000
선	삭	±0.1	±0.2	±0.3	±0.5	±0.8
구멍간	거리					

REV.NO	DATE	REVISION	DESCRIPTION	DRAWN	CHECKED	APPROVED

L K HOIST CO., LTD.

L K HOIST



	DESCRIPTION	SIZE	MAT'	REMARKS
1	HOISTING MOTOR ASS'Y		1	
2	HOISTING CONTROL ASS'Y		1	
3	GEARD MOTOR ASS'Y		1	
4	GRAB PART ASS'Y		1	
5	BOTTOM HOOK ASS'Y		1	
6	NAME PLATE		1	
7	LOAD LIMITEER		1	

SPECIFICATION			
RATED LOAD	1.5 TON		
TESTING LOAD	1.875 TON		
LIFTING HEIGHT	30 M		
HOISTING SPEED/MOTOR	10.3/3.4 m/min	4.4/2.2KW(2/6P)	
	24m/min	0.75KW(4P)	
TRAVERSING SPEED/MOTOR	16m/min	0.5KW(6P)	
	17/5.4m/min * 0.75/0.25kw * 4/12p		
POWER SUPPLY	AC220,380,440,460V,480V x 3ø x 60 Hz		
OPERATING METHOD	P.B type ON . FL		
WIEGHT	323kg		
RAIL	15KG/M		
CHAIN 사양	Ø9.5 X 28.6(1#)		
RAIL GgeR	950		

NOTE)

1. 점검 설비를 갖출 것.
2. 인허가 서류를 완성 검사시 제출 할 것.

TITLE					PROJECTION	
DBD-1.5S CHAIN HOIST						
WORK NO	WORK NAME				SCALE	Q' TY
	LK-DBD-1.5S					
DRAWN	CHECKED	REVIEWED	APPROVED	DRAWING NO		
김 창 기						
2010.09.16				CODE NO		
L K HOIST CO., LTD.						

REV.NO	DATE	REVISION DESCRIPTION	DRAWN	CHECKED	APPROVED	구멍간 거리	치수	3-6	6-30	30-120	120-315	315-1000
						가공별	선	±0.1	±0.2	±0.3	±0.5	±0.8

제품명: LK DBD-1.5S