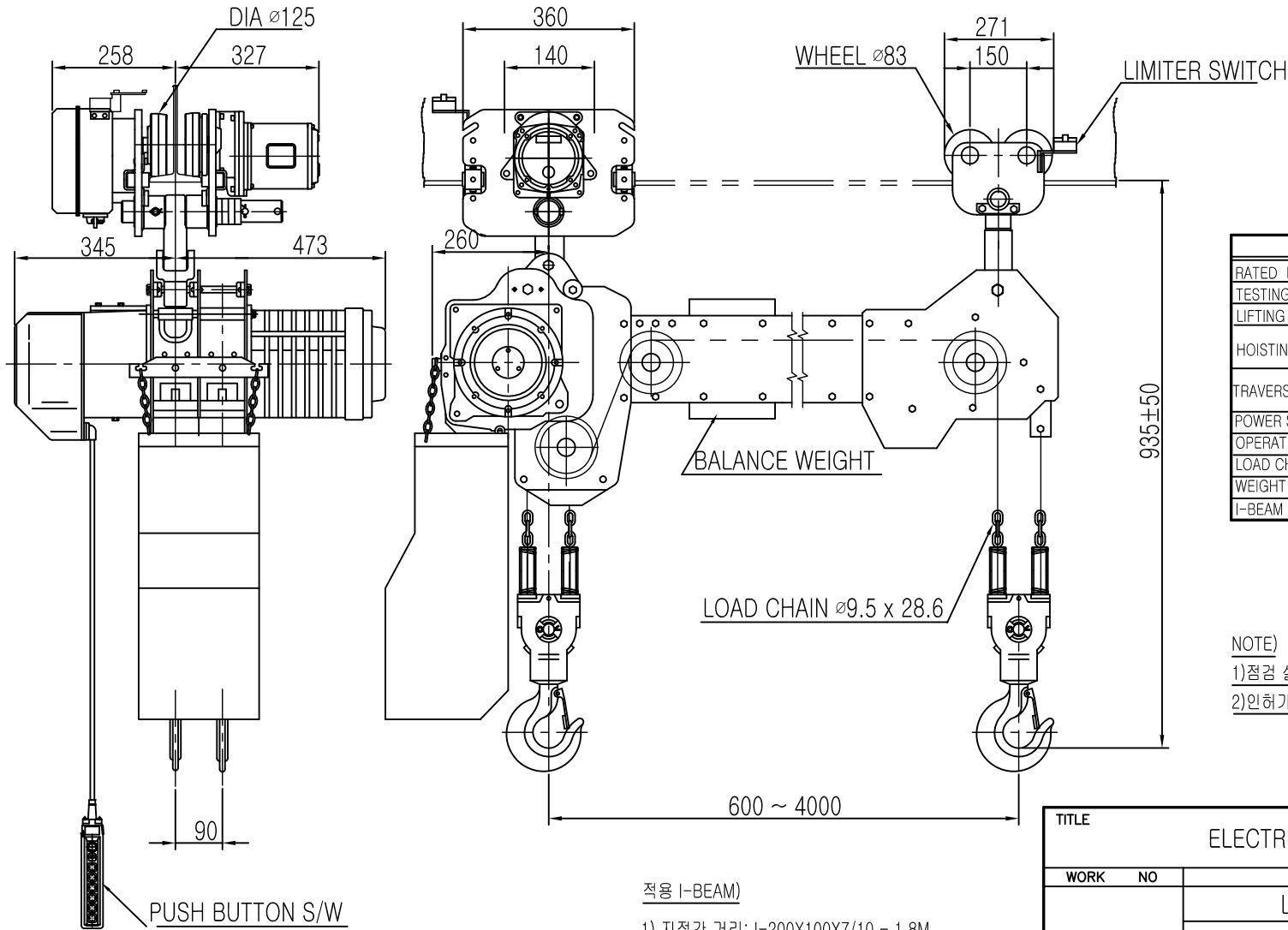


# L K HOIST

ON 3MC

NO	DESCRIPTION	SIZE	MAT' L	Q' TY	WT (kg)	REMARKS



## SPECIFICATION

		LK-DHDBM-2.8W		
RATED LOAD (TON)		2.8		
TESTING LOAD (TON)		3.5		
LIFTING HEIGHT (M)		50		
HOISTING	SPEED (M/MIN)	5.15/1.7		
	MOTOR (KW)	4.4/2.2kw x 2/6p		
TRAVERSING	SPEED (M/MIN)	20	14	20/7
	MOTOR (KW)	0.75kw x 4p	0.4kw x 6p	0.75/0.25kw x 4/12p
POWER SUPPLY		AC220.380.440.460.480Vx3ø x 60 Hz		
OPERATING METHOD		P.B type ON . FL		
LOAD CHAIN		ø9.5 X 28.6 (2FALL)		
WEIGHT (KG)		900		
I-BEAM 적용폭		100 ~ 190MM		

NOTE)

- 1) 점검 설비를 갖출 것
- 2) 인허가 서류를 완성검사시 제출 할 것

적용 I-BEAM)

- 1) 지점간 거리: I-200X100X7/10 - 1.8M
- 2) 지점간거리 : I-250X125X7.5/12.5-3.5M
- 3) 지점간거리 : I-300X150X10/18.5-5.5M
- 4) 지점간거리 : I-450X175X13/26-10M
- 5) 지점간거리 : I-600X190X13/25-14M

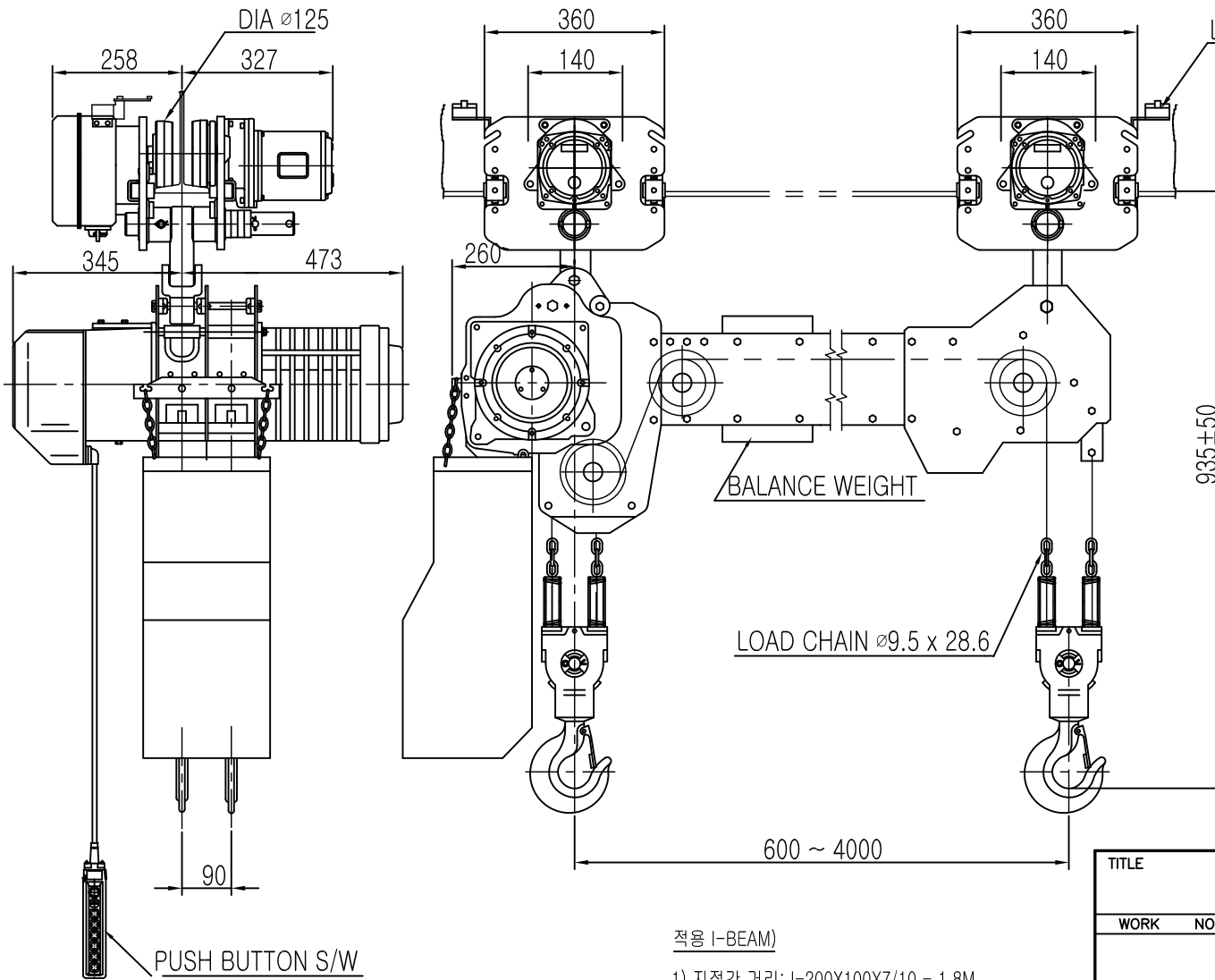
REV.NO	DATE	REVISION	DESCRIPTION	DRAWN	CHECKED	APPROVED

TITLE					PROJECTION	
ELECTRIC CHAIN HOIST						
WORK NO	WORK NAME				SCALE	Q' TY
	LK-DHDBM-2.8W				N/S	1
DRAWN	CHECKED	REVIEWED	APPROVED	DRAWING NO		
김 창 기						
2010.08.01				CORD NO		

ON 3MD

# L K HOIST

NO	DESCRIPTION	SIZE	MAT' L	Q' TY	WT (kg)	REMARKS
----	-------------	------	--------	-------	---------	---------



## SPECIFICATION

		LK-DHDBM-2.8W		
RATED LOAD (TON)		2.8		
TESTING LOAD (TON)		3.5		
LIFTING HEIGHT (M)		50		
HOISTING	SPEED (M/MIN)	5.15/1.7		
	MOTOR (KW)	4.4/2.2kw x 2/6p		
TRAVERSING	SPEED (M/MIN)	20	14	20/7
	MOTOR (KW)	0.75kwx4p-2set	0.4kwx6p-2set	0.75/0.25kwx4/12p-2set
POWER SUPPLY		AC220.380.440.460.480Vx3ø x 60 Hz		
OPERATING METHOD		P.B type ON . FL		
LOAD CHAIN		ø9.5 X 28.6 (2FALL)		
WEIGHT (KG)		900		
I-BEAM 적용폭		100 ~ 190MM		

NOTE)

- 1)정경 설비를 갖출 것
- 2)인허가 서류를 완성검사시 제출 할 것

적용 I-BEAM)

- 1) 지점간 거리: I-200X100X7/10 - 1.8M
- 2) 지점간거리 : I-250X125X7.5/12.5-3.5M
- 3) 지점간거리 : I-300X150X10/18.5-5.5M
- 4) 지점간거리 : I-450X175X13/26-10M
- 5) 지점간거리 : I-600X190X13/25-14M

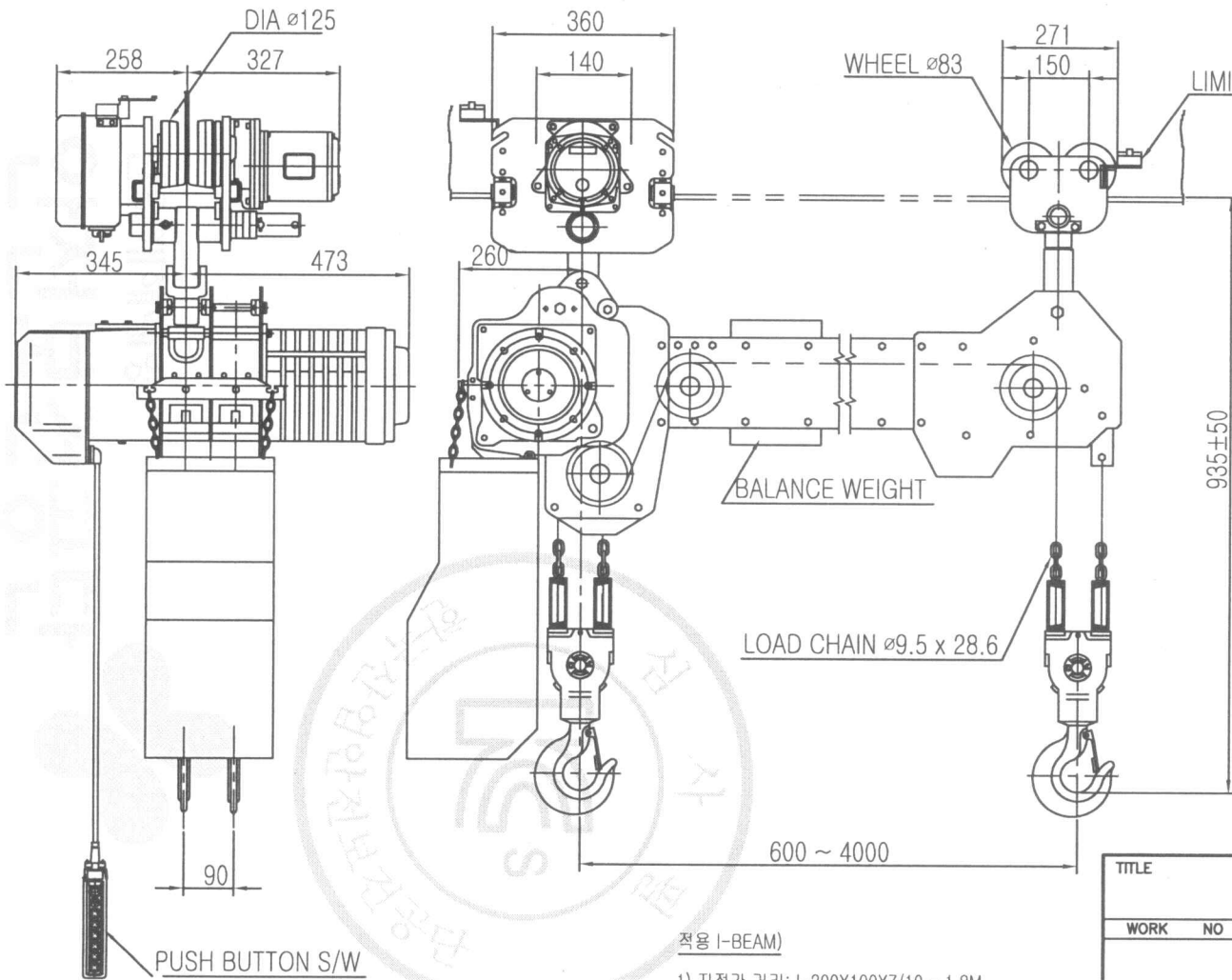
REV.NO	DATE	REVISION	DESCRIPTION	DRAWN	CHECKED	APPROVED
--------	------	----------	-------------	-------	---------	----------

TITLE					PROJECTION	
ELECTRIC CHAIN HOIST						
WORK NO	WORK NAME		SCALE	Q' TY		
	LK-DHDBM-2.8W		N/S	1		
DRAWN	CHECKED	REVIEWED	APPROVED	DRAWING NO		
김 창 기						
2010.08.01				CORD NO		
<b>L K HOIST CO., LTD.</b>						

ON 9MD

# L K HOIST

NO	DESCRIPTION	SIZE	MAT'L	Q'TY	WT (kg)	REMARKS



## SPECIFICATION

		LK-DHDBM-2.8W	
RATED LOAD	(TON)	2.8	
TESTING LOAD	(TON)	3.5	
LIFTING HEIGHT	(M)	50	
HOISTING	SPEED (M/MIN)	5.15/1.7	
	MOTOR (KW)	4.4/2.2kw x 2/6p	
TRAVERSING	SPEED (M/MIN)	20	14
	MOTOR (KW)	0.75kw x 4p	0.4kw x 6p
POWER SUPPLY		AC220,380,440,460,480V x 3ø x 60 Hz	
OPERATING METHOD		P.B type ON . FL	
LOAD CHAIN		ø9.5 X 28.6 (2FALL)	
WEIGHT	(KG)	900	
I-BEAM 적용폭		100 ~ 190MM	

NOTE)

- 1) 점검 설비를 갖추 것
- 2) 인허가 서류를 완성검사시 제출할 것

적용 I-BEAM)

- 1) 지점간 거리: I-200X100X7/10 - 1.8M
- 2) 지점간거리 : I-250X125X7.5/12.5-3.5M
- 3) 지점간거리 : I-300X150X10/18.5-5.5M
- 4) 지점간거리 : I-450X175X13/26-10M
- 5) 지점간거리 : I-600X190X13/25-14M

TITLE					PROJECTION	
ELECTRIC CHAIN HOIST						
WORK NO	WORK NAME				SCALE	Q'TY
	LK-DHDBM-2.8W				N/S	1
DRAWN	CHECKED	REVIEWED	APPROVED	DRAWING NO		
김 창 기				CORD NO		
2010.08.01						

**LK** L K HOIST CO., LTD.

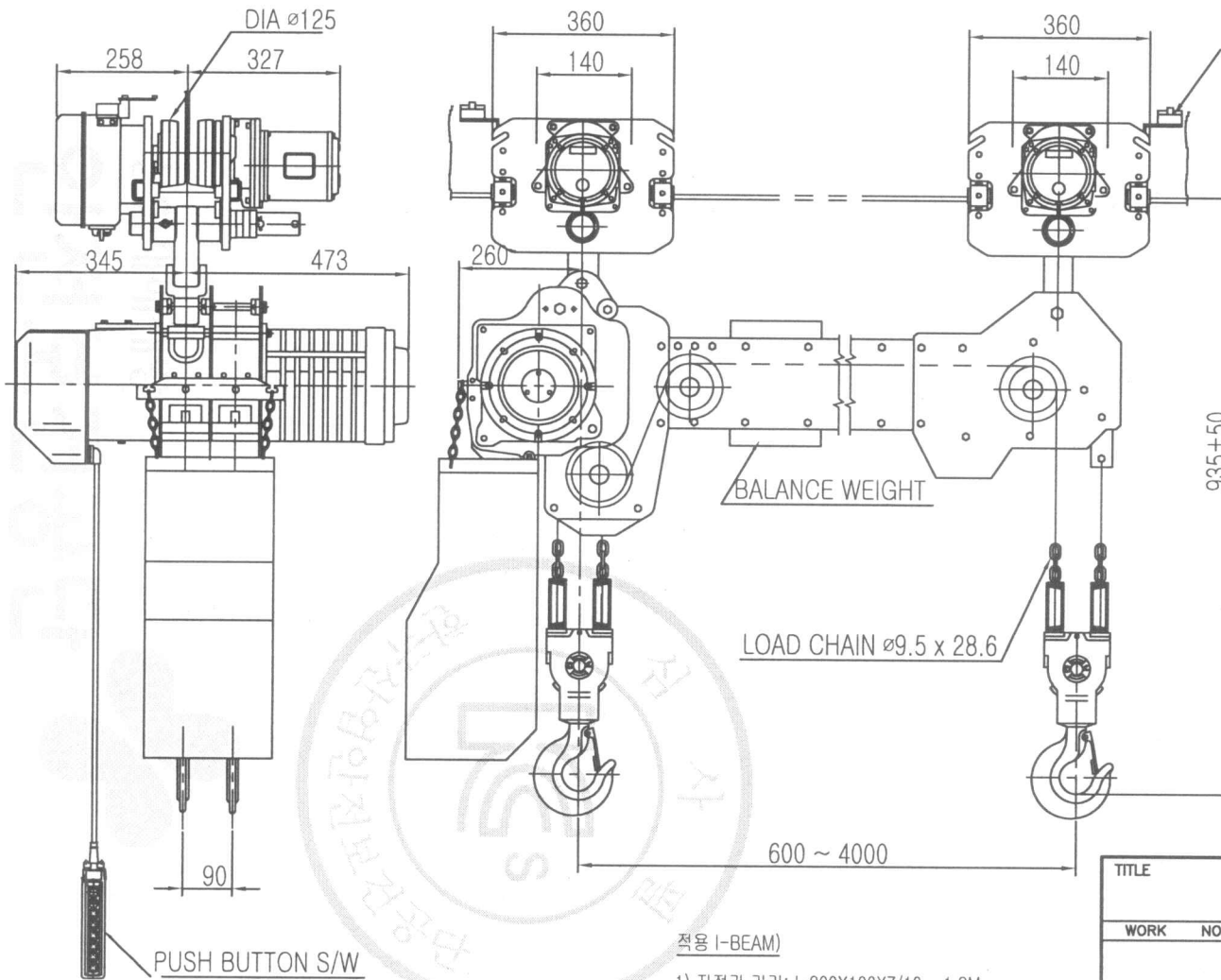
REV.NO	DATE	REVISION DESCRIPTION	DRAWN	CHECKED	APPROVED

물범복제 및 배포금지

ON 5MD

# L K HOIST

NO	DESCRIPTION	SIZE	MAT' L	Q' TY	WT (kg)	REMARKS



## SPECIFICATION

		LK-DHDBM-2.8W
RATED LOAD	(TON)	2.8
TESTING LOAD	(TON)	3.5
LIFTING HEIGHT	(M)	50
HOISTING	SPEED (M/MIN)	5.15/1.7
	MOTOR (KW)	4.4/2.2kw x 2/6p
TRAVERSING	SPEED (M/MIN)	20 14 20/7
	MOTOR (KW)	0.75kwx4p-2set 0.4kwx6p-2set 0.75/0.25kwx4/12p-2set
POWER SUPPLY		AC220,380,440,460,480Vx3ø x 60 Hz
OPERATING METHOD		P.B type ON, FL
LOAD CHAIN		ø9.5 X 28.6 (2FALL)
WEIGHT	(KG)	900
I-BEAM 적용폭		100 ~ 190MM

NOTE)

- 1)점검 설비를 갖출 것
- 2)인허가 서류를 완성검사시 제출 할 것

적용 I-BEAM)

- 1) 지점간 거리: I-200X100X7/10 - 1.8M
- 2) 지점간거리: I-250X125X7.5/12.5-3.5M
- 3) 지점간거리: I-300X150X10/18.5-5.5M
- 4) 지점간거리: I-450X175X13/26-10M
- 5) 지점간거리: I-600X190X13/25-14M

REV.NO	DATE	REVISION	DESCRIPTION	DRAWN	CHECKED	APPROVED

TITLE					PROJECTION	
ELECTRIC CHAIN HOIST						
WORK NO	WORK NAME				SCALE	Q' TY
	LK-DHDBM-2.8W				N/S	1
DRAWN	CHECKED	REVIEWED	APPROVED	DRAWING NO		
김 창 기				CORD NO		
2010.08.01						

물범복제 및 배포금지