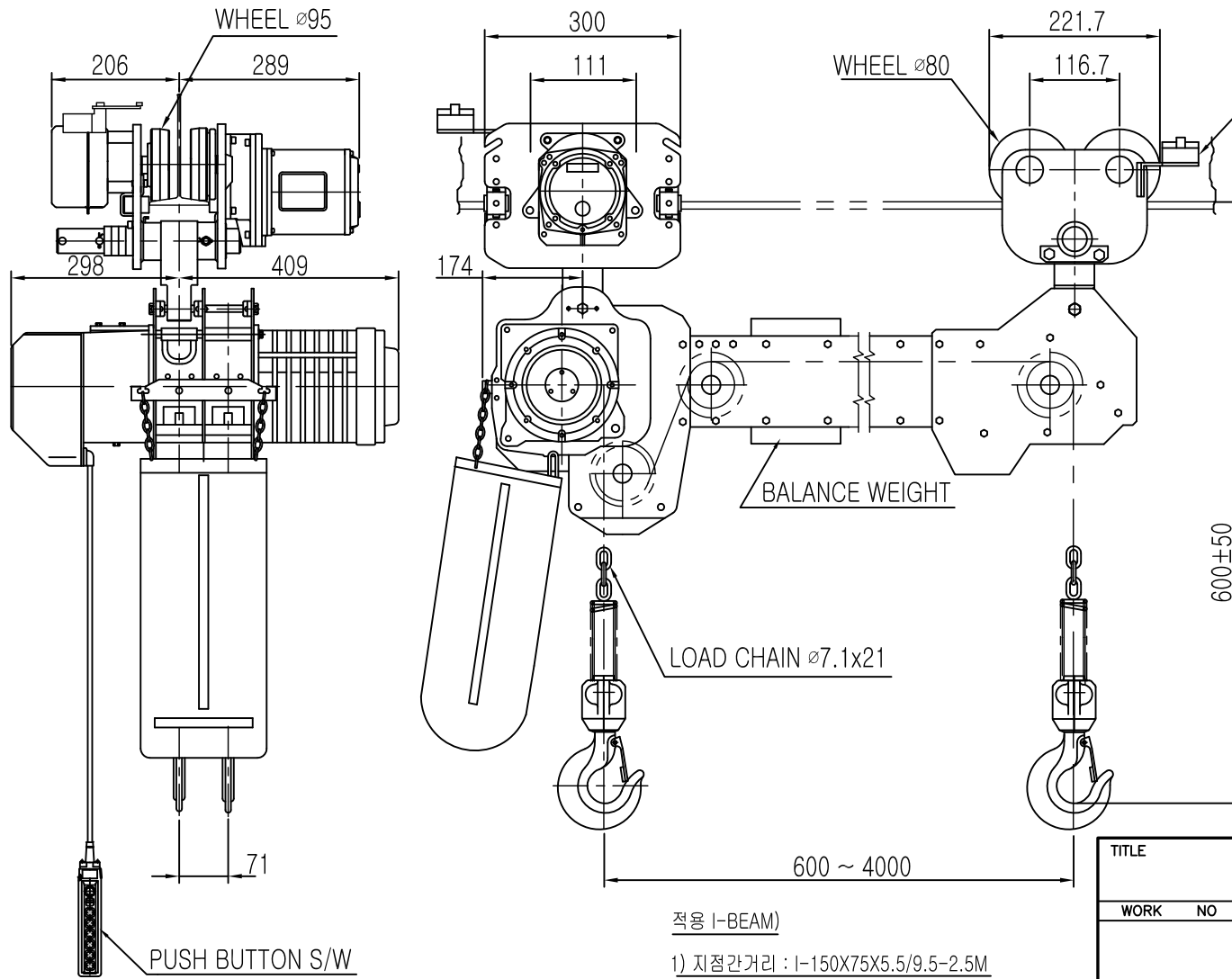


ON GMD

# L K HOIST

NO	DESCRIPTION	SIZE	MAT' L	Q' TY	WT (kg)	REMARKS



## SPECIFICATION

		LK-DHDBM-1S		
RATED LOAD	(TON)	1.0		
TESTING LOAD	(TON)	1.25		
LIFTING HEIGHT	(M)	50		
HOISTING	SPEED (M/MIN)	8.2/2.7		
	MOTOR (KW)	1.8/0.7kw x 2/6p		
TRAVERSING	SPEED (M/MIN)	22	14	22/7
	MOTOR (KW)	0.4kw x 4p	0.3kw x 6p	0.4/0.14kw x 4/12p
POWER SUPPLY		AC220.380.440.460.480Vx3ø x 60 Hz		
OPERATING METHOD		P.B type ON . FL		
LOAD CHAIN		ø7.1 X 21 (1FALL)		
WEIGHT	(KG)	373		
I-BEAM 적용폭		75 ~ 175MM		

NOTE)

- 1)점검 설비를 갖출 것
- 2)인허가 서류를 완성검사시 제출 할 것

적용 I-BEAM)

- 1) 지점간거리 : I-150X75X5.5/9.5-2.5M
- 2) 지점간 거리: I-200X100X7/10 - 4.0M
- 3) 지점간거리 : I-250X125X7.5/12.5-6.0M
- 4) 지점간거리 : I-300X150X10/18.5-9.0M
- 5) 지점간거리 : I-450X175X13/26-14M

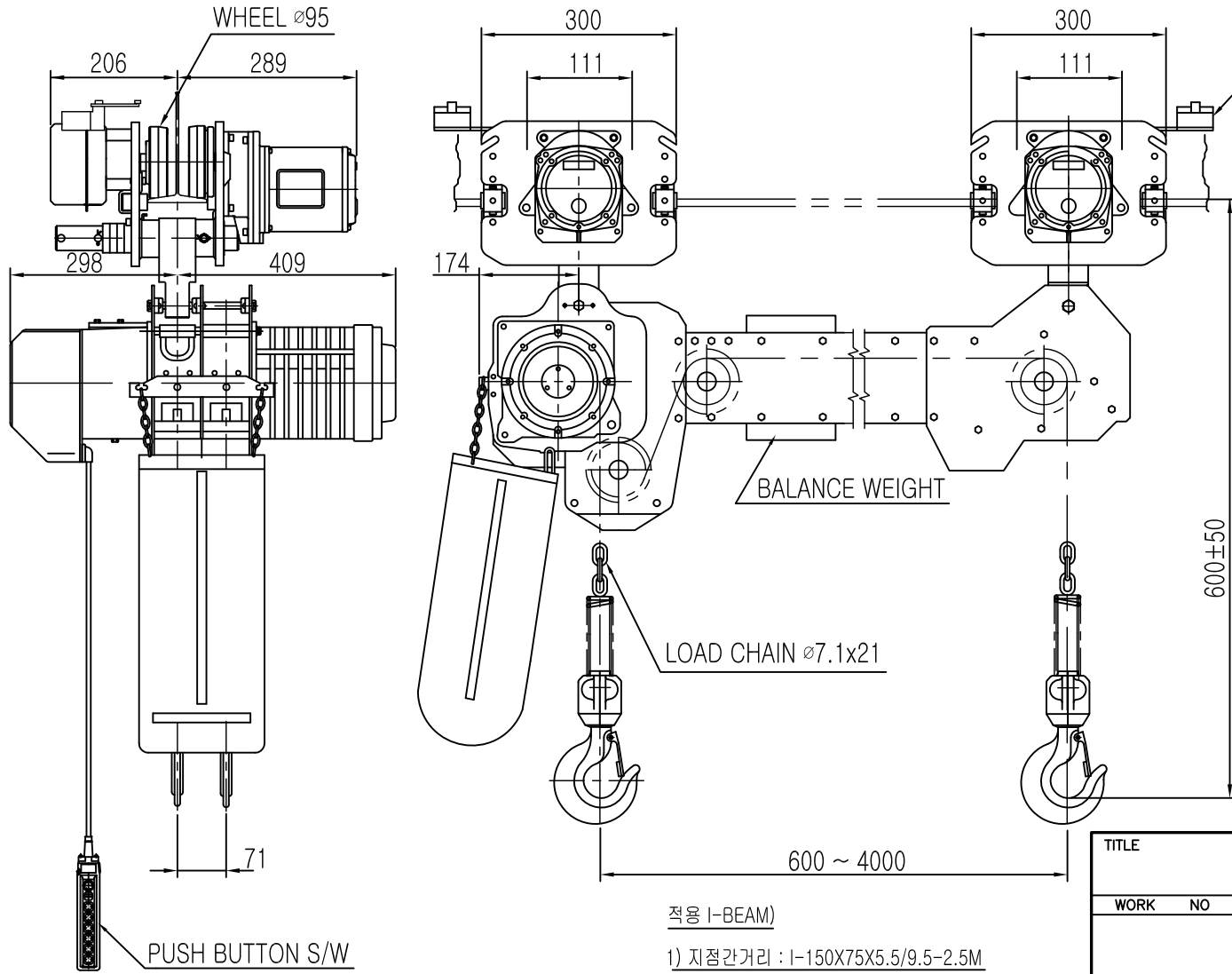
TITLE					PROJECTION	
ELECTRIC CHAIN HOIST						
WORK NO	WORK NAME				SCALE	Q' TY
	LK-DHDBM-1S				N S	1
DRAWN	CHECKED	REVIEWED	APPROVED	DRAWING NO		
김 창 기				CORD NO		
2010.08.01						

REV.NO	DATE	REVISION	DESCRIPTION	DRAWN	CHECKED	APPROVED

ON 3MD

# L K HOIST

NO	DESCRIPTION	SIZE	MAT' L	Q' TY	WT (kg)	REMARKS



## SPECIFICATION

		LK-DHDBM-1S		
RATED LOAD (TON)		1.0		
TESTING LOAD (TON)		1.25		
LIFTING HEIGHT (M)		50		
HOISTING	SPEED (M/MIN)	8.2/2.7		
	MOTOR (KW)	1.8/0.7kw x 2/6p		
TRAVERSING	SPEED (M/MIN)	22	14	22/7
	MOTOR (KW)	0.4kw x 4p-2set	0.3kw x 6p-2set	0.4/0.14kw x 4/12p-2set
POWER SUPPLY		AC220, 380, 440, 460, 480V x 3 $\phi$ x 60 Hz		
OPERATING METHOD		P.B type ON . FL		
LOAD CHAIN		$\varnothing 7.1 \times 21$ (1FALL)		
WEIGHT (KG)		373		
I-BEAM 적용폭		75 ~ 175MM		

NOTE)

- 1) 점검 설비를 갖출 것
- 2) 인허가 서류를 완성검사를 제출 할 것

적용 I-BEAM)

- 1) 지점간거리 : I-150X75X5.5/9.5-2.5M
- 2) 지점간 거리 : I-200X100X7/10 - 4.0M
- 3) 지점간거리 : I-250X125X7.5/12.5-6.0M
- 4) 지점간거리 : I-300X150X10/18.5-9.0M
- 5) 지점간거리 : I-450X175X13/26-14M

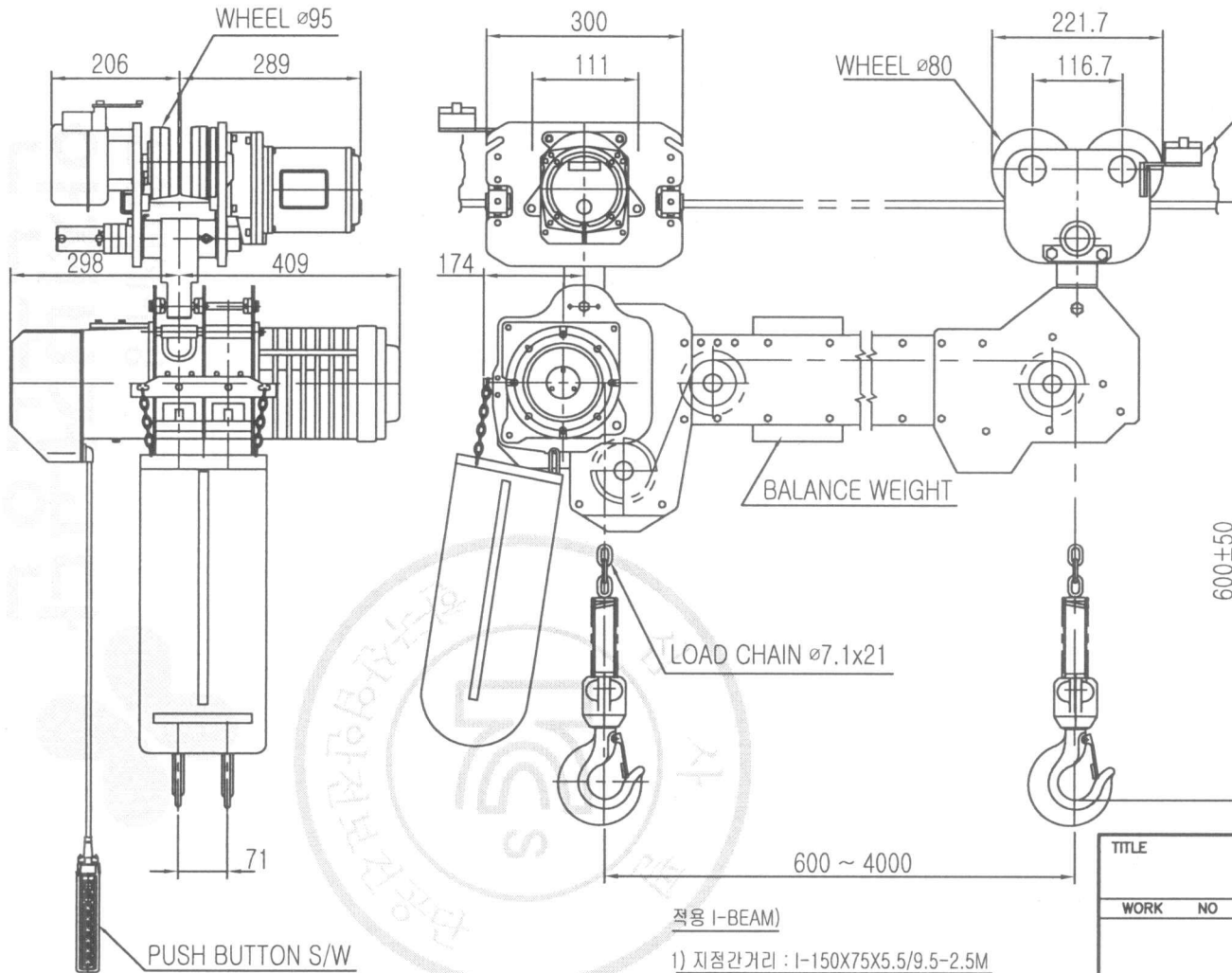
REV.NO	DATE	REVISION	DESCRIPTION	DRAWN	CHECKED	APPROVED

TITLE					PROJECTION	
ELECTRIC CHAIN HOIST						
WORK NO	WORK NAME				SCALE	Q' TY
	LK-DHDBM-1S				N S	1
DRAWN	CHECKED	REVIEWED	APPROVED	DRAWING NO		
김 창 기						
2010.08.01				CORD NO		
<b>L K HOIST CO., LTD.</b>						

ON 5MG

# L K HOIST

NO	DESCRIPTION	SIZE	MAT'L	Q'TY	WT (kg)	REMARKS



		LK-DHDBM-1S	
RATED LOAD	(TON)	1.0	
TESTING LOAD	(TON)	1.25	
LIFTING HEIGHT	(M)	50	
HOISTING	SPEED (M/MIN)	8.2/2.7	
	MOTOR (KW)	1.8/0.7kw x 2/6p	
TRAVERSING	SPEED (M/MIN)	22	14 22/7
	MOTOR (KW)	0.4kw x 4p	0.3kw x 6p 0.4/0.14kw x 4/12p
POWER SUPPLY	AC220,380,440,460,480Vx3ø x 60 Hz		
OPERATING METHOD	P.B type ON . FL		
LOAD CHAIN	ø7.1 X 21 (1FALL)		
WEIGHT	(KG)	373	
I-BEAM 적용폭	75 ~ 175MM		

NOTE)

- 1) 점검 설비를 갖출 것
- 2) 인허가 서류를 완성검사시 제출 할 것

적용 I-BEAM)

- 1) 지점간거리 : I-150X75X5.5/9.5-2.5M
- 2) 지점간 거리 : I-200X100X7/10 - 4.0M
- 3) 지점간거리 : I-250X125X7.5/12.5-6.0M
- 4) 지점간거리 : I-300X150X10/18.5-9.0M
- 5) 지점간거리 : I-450X175X13/26-14M

TITLE					PROJECTION	
ELECTRIC CHAIN HOIST						
WORK NO	WORK NAME				SCALE	Q'TY
	LK-DHDBM-1S				NS	1
DRAWN	CHECKED	REVIEWED	APPROVED	DRAWING NO		
김 창 기						
2010.08.01				CORD NO		

**LK** L K HOIST CO., LTD.

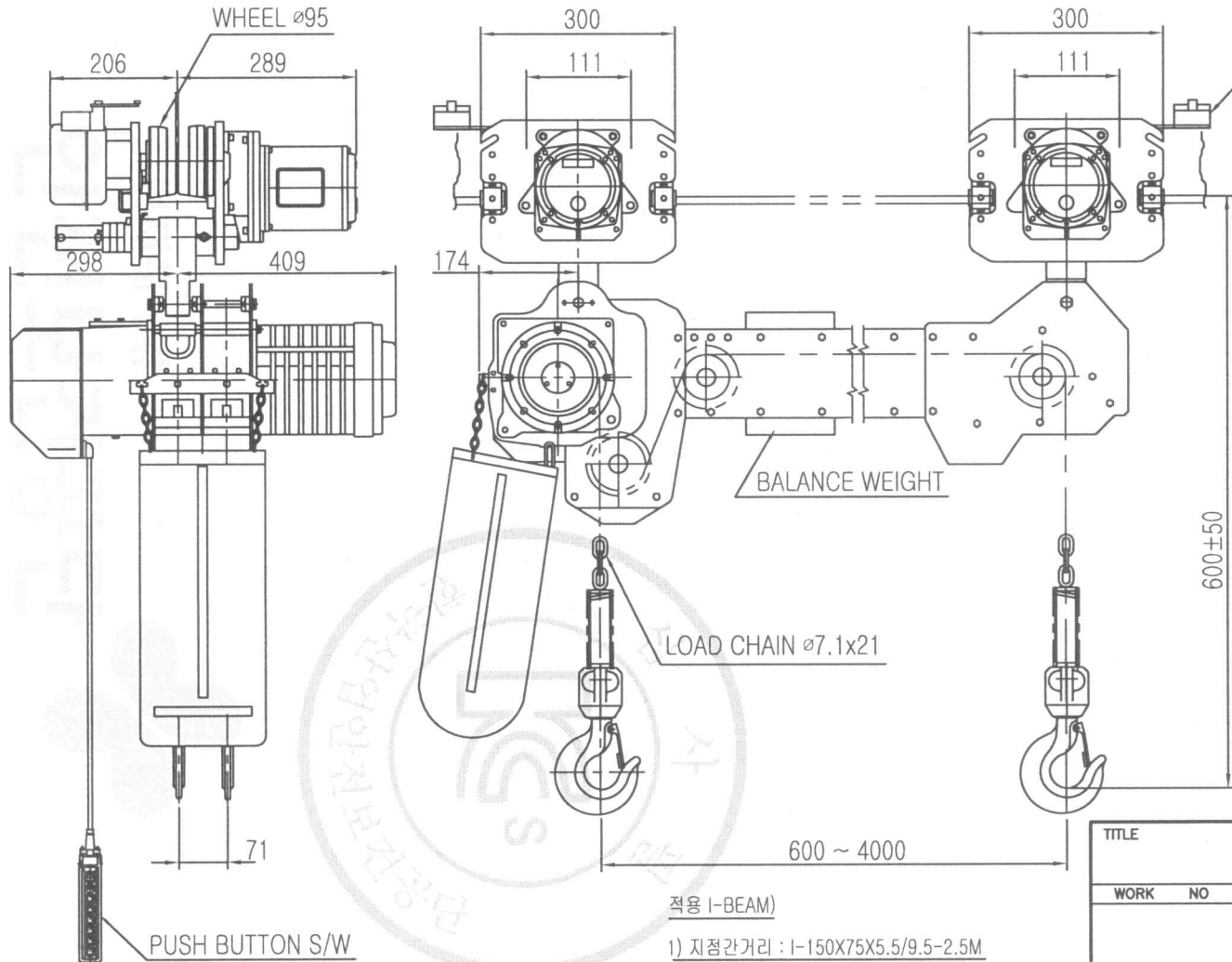
REV.NO	DATE	REVISION DESCRIPTION	DRAWN	CHECKED	APPROVED

물범복지 및 배포금지

ON GMD

# L K HOIST

NO	DESCRIPTION	SIZE	MAT'L	Q'TY	WT (kg)	REMARKS
----	-------------	------	-------	------	---------	---------



## SPECIFICATION

		LK-DHDBM-1S		
RATED LOAD (TON)	1.0			
TESTING LOAD (TON)	1.25			
LIFTING HEIGHT (M)	50			
HOISTING	SPEED (M/MIN)	8.2/2.7		
	MOTOR (KW)	1.8/0.7kw x 2/6p		
TRAVERSING	SPEED (M/MIN)	22	14	22/7
	MOTOR (KW)	0.4kwx4p-2set	0.3kwx6p-2set	0.4/0.14kwx4/12p-2set
POWER SUPPLY	AC220.380.440.460.480Vx3ø x 60 Hz			
OPERATING METHOD	P.B type ON . FL			
LOAD CHAIN	ø7.1 X 21 (1FALL)			
WEIGHT (KG)	373			
I-BEAM 적용폭	75 ~ 175MM			

NOTE)  
 1) 점검 설비를 갖출 것  
 2) 인허가 서류를 완성감사시 제출 할 것

- 적용 I-BEAM)
- 1) 지점간거리 : I-150X75X5.5/9.5-2.5M
  - 2) 지점간 거리: I-200X100X7/10 - 4.0M
  - 3) 지점간거리 : I-250X125X7.5/12.5-6.0M
  - 4) 지점간거리 : I-300X150X10/18.5-9.0M
  - 5) 지점간거리 : I-450X175X13/26-14M

TITLE					PROJECTION	
ELECTRIC CHAIN HOIST						
WORK NO	WORK NAME				SCALE	Q'TY
	LK-DHDBM-1S				N S	1
DRAWN	CHECKED	REVIEWED	APPROVED	DRAWING NO		
김창기				CORD NO		
2010.08.01						

**LK** L K HOIST CO., LTD.

REV.NO	DATE	REVISION	DESCRIPTION	DRAWN	CHECKED	APPROVED
--------	------	----------	-------------	-------	---------	----------

물범북제 및 배포금지