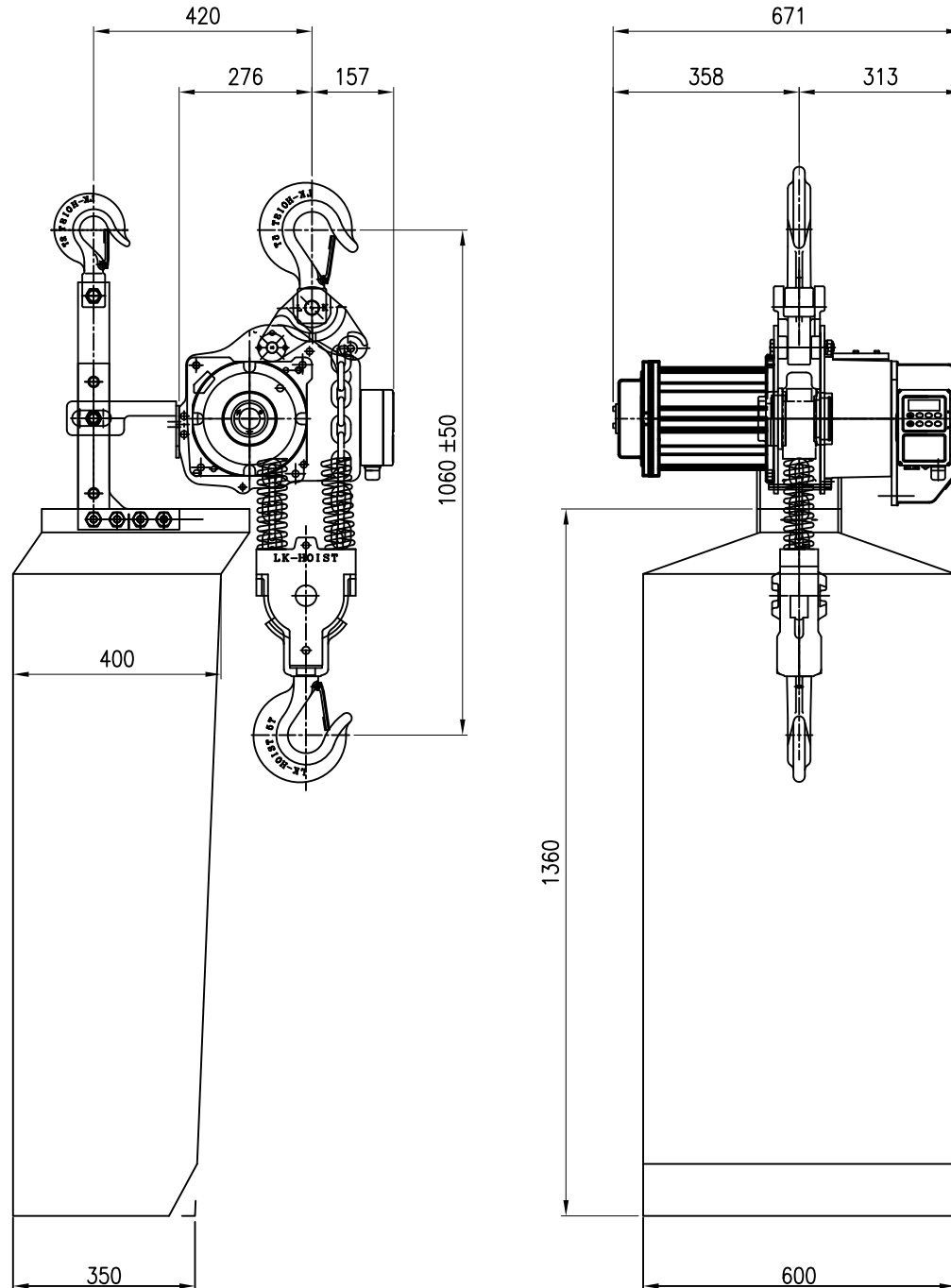


ON 9MG

L K HOIST



SPECIFICATION		
HOISTING LOAD	5	TON
TESTING LOAD	6.25	TON
LIFTING HEIGHT	100	M
HOISTING	SPEED	3.25 M/MIN
	MOTOR	3.5 KW x 1 SET
TRAVERSING	SPEED	- M/MIN
	MOTOR	- KW x - SET
POWER SUPPLY	AC 220,380,440,460 V x 3φ x 60 Hz	
OPERATING METHOD	P.B type ON . FL	
WEIGHT	780 KG	

NOTE)

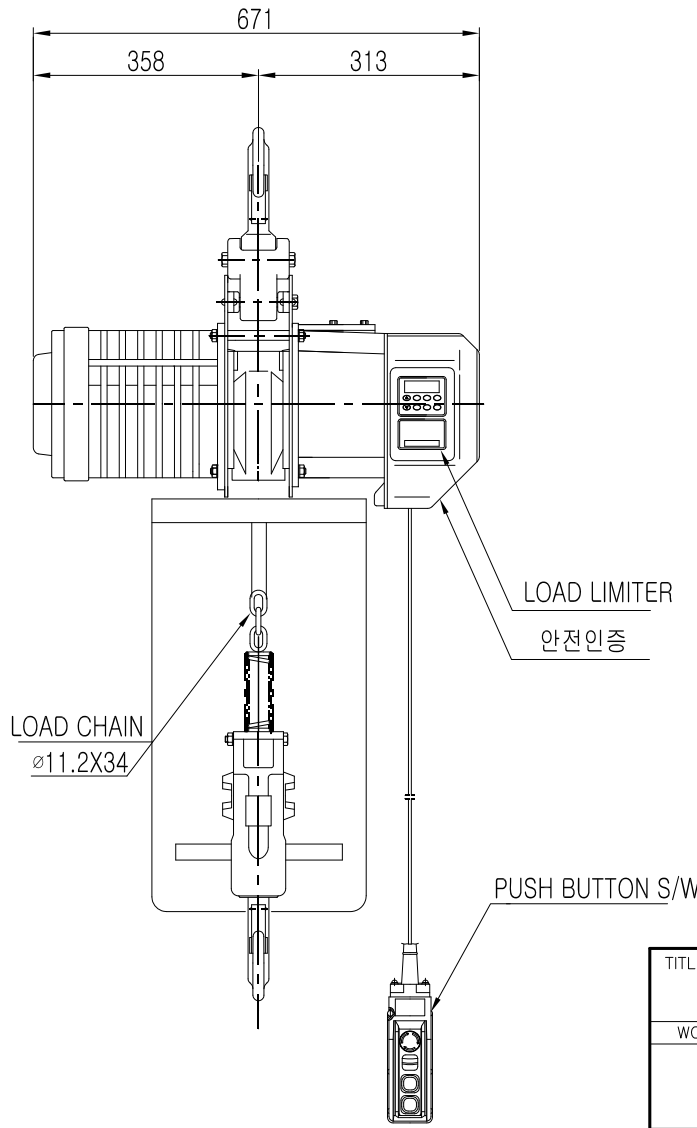
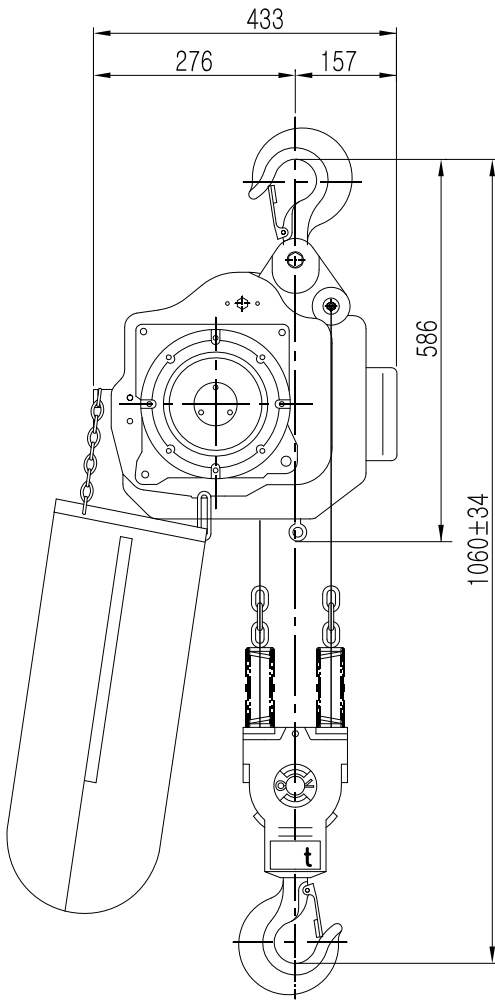
- 1) 점검 설비를 갖출 것
- 2) 인허가 서류를 완성검사시 제출 할 것

TITLE					PROJECTION	
ELECTRIC CHAIN HOIST DAHH-5W						
WORK NO	WORK NAME				SCALE	Q'TY
					1/1	1
DRAWN	CHECKED	REVIEWED	APPROVED	MODEL		
				CODE NO		
L K HOIST CO., LTD.						

ON OMD

L K HOIST

NO	DESCRIPTION	SIZE	MAT' L	Q' TY	WT (kg)	REMARKS



SPECIFICATION	
HOISTING LOAD	5 TON
TESTING LOAD	6.25 TON
LIFTING HEIGHT	100 M
HOISTING	SPEED 3.25 M/MIN
	MOTOR 3.5 KW x 1 SET
TRAVERSING	SPEED - M/MIN
	MOTOR - KW x - SET
POWER SUPPLY	AC220,380,440,460,480 V x 3ø x 60 Hz
OPERATING METHOD	P.B type ON . FL
LOAD CHAIN	ø11.2 x 34 (2 FALL)
WIEGHT	780 KG

- NOTE)
- 1) 점검 설비를 갖출것.
 - 2) 인허가 서류를 완성검사시 제출할것.

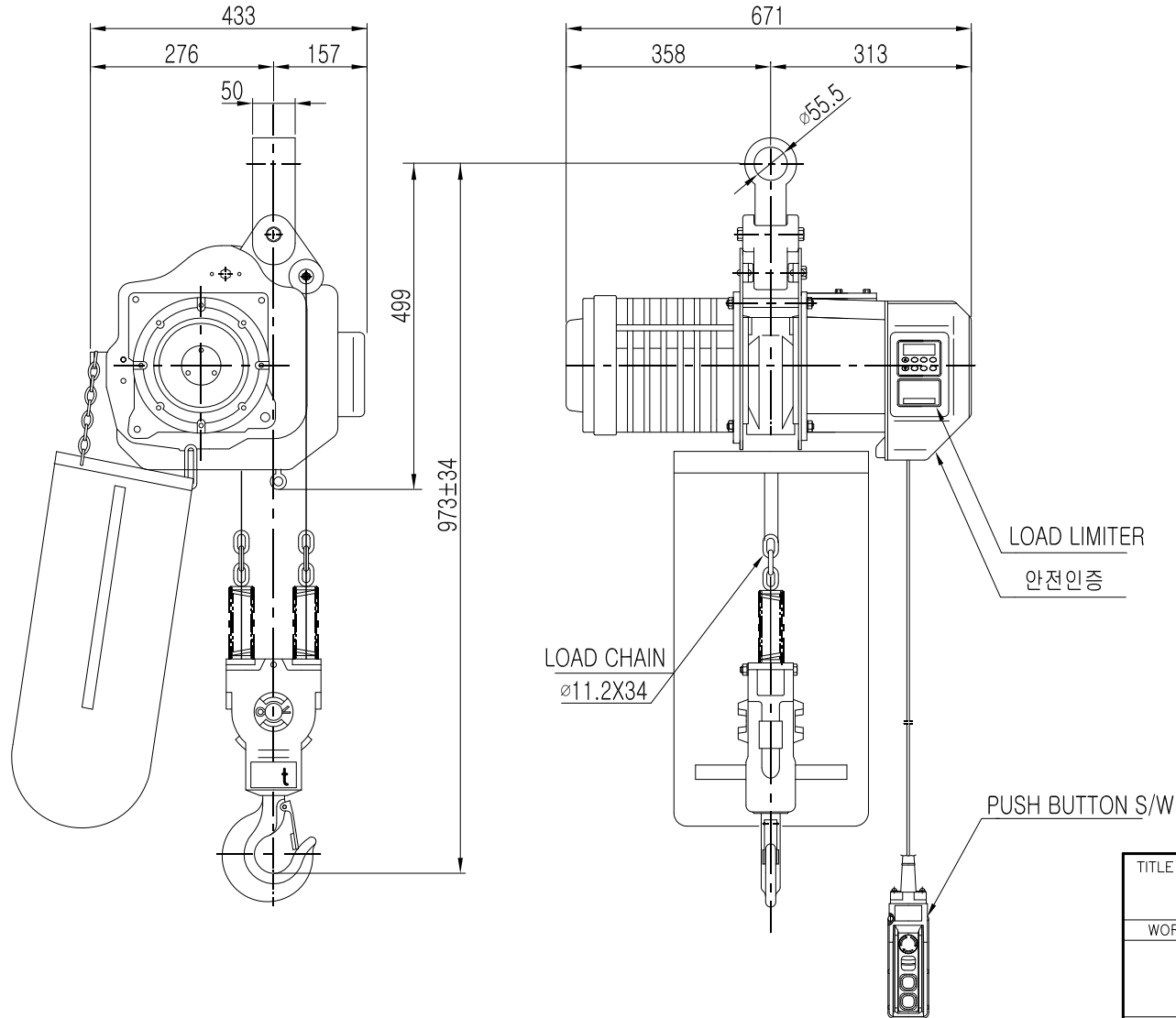
REV.NO	DATE	REVISION DESCRIPTION	DRAWN	CHECKED	APPROVED

TITLE				PROJECTION	
DAHH-5W ELECTRIC CHAIN HOIST					
WORK NO	WORK NAME			SCALE	Q' TY
	HOOK TYPE			N S	1
DRAWN	CHECKED	REVIEWED	APPROVED	DRAWING NO	
김 창 기					
2010.07.27					

ON 9MG

L K HOIST

NO	DESCRIPTION	SIZE	MAT' L	Q' TY	WT (kg)	REMARKS



SPECIFICATION		
HOISTING LOAD	5	TON
TESTING LOAD	6.25	TON
LIFTING HEIGHT	100	M
HOISTING	SPEED	3.25 M/MIN
	MOTOR	3.5 KW x 1 SET
TRAVERSING	SPEED	- M/MIN
	MOTOR	- KW x - SET
POWER SUPPLY	AC220,380,440,460,480 V x 3ø x 60 Hz	
OPERATING METHOD	P.B type ON . FL	
LOAD CHAIN	ø11.2 x 34 (2 FALL)	
WIEGHT	780 KG	

NOTE)

- 1) 점검 설비를 갖출것.
- 2) 인허가 서류를 완성검사시 제출할것.

TITLE					PROJECTION	
DAH-5ELECTRIC CHAIN HOIST						
WORK NO	WORK NAME				SCALE	Q' TY
	CONNECTOR TYPE				N S	1
DRAWN	CHECKED	REVIEWED	APPROVED	DRAWING NO		
김 창 기						
2010.07.27						

REV.NO	DATE	REVISION DESCRIPTION	DRAWN	CHECKED	APPROVED