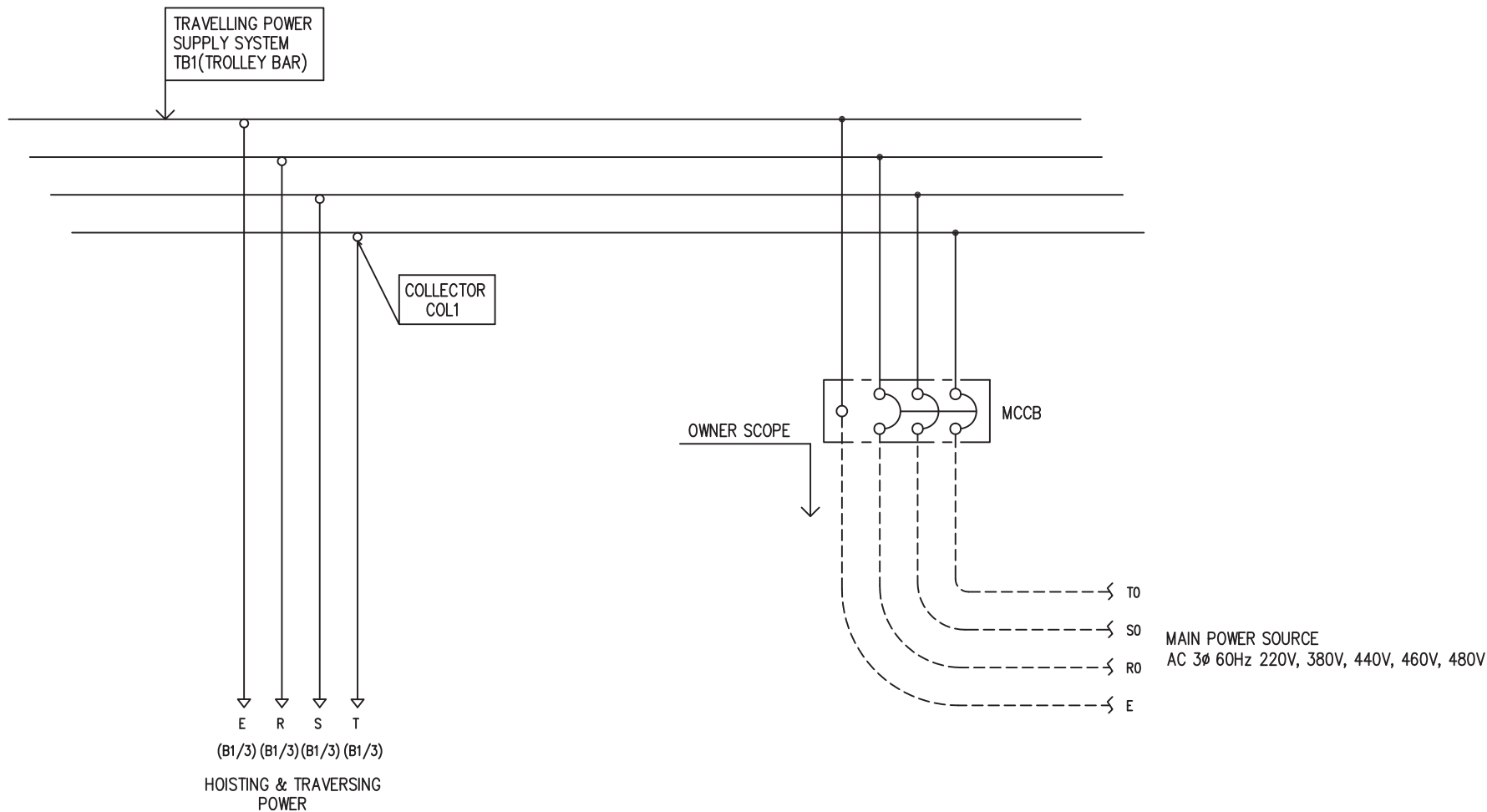


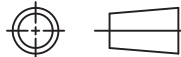

POWER CIRCUIT  
TRAVELLING POWER SUPPLY SYSTEM

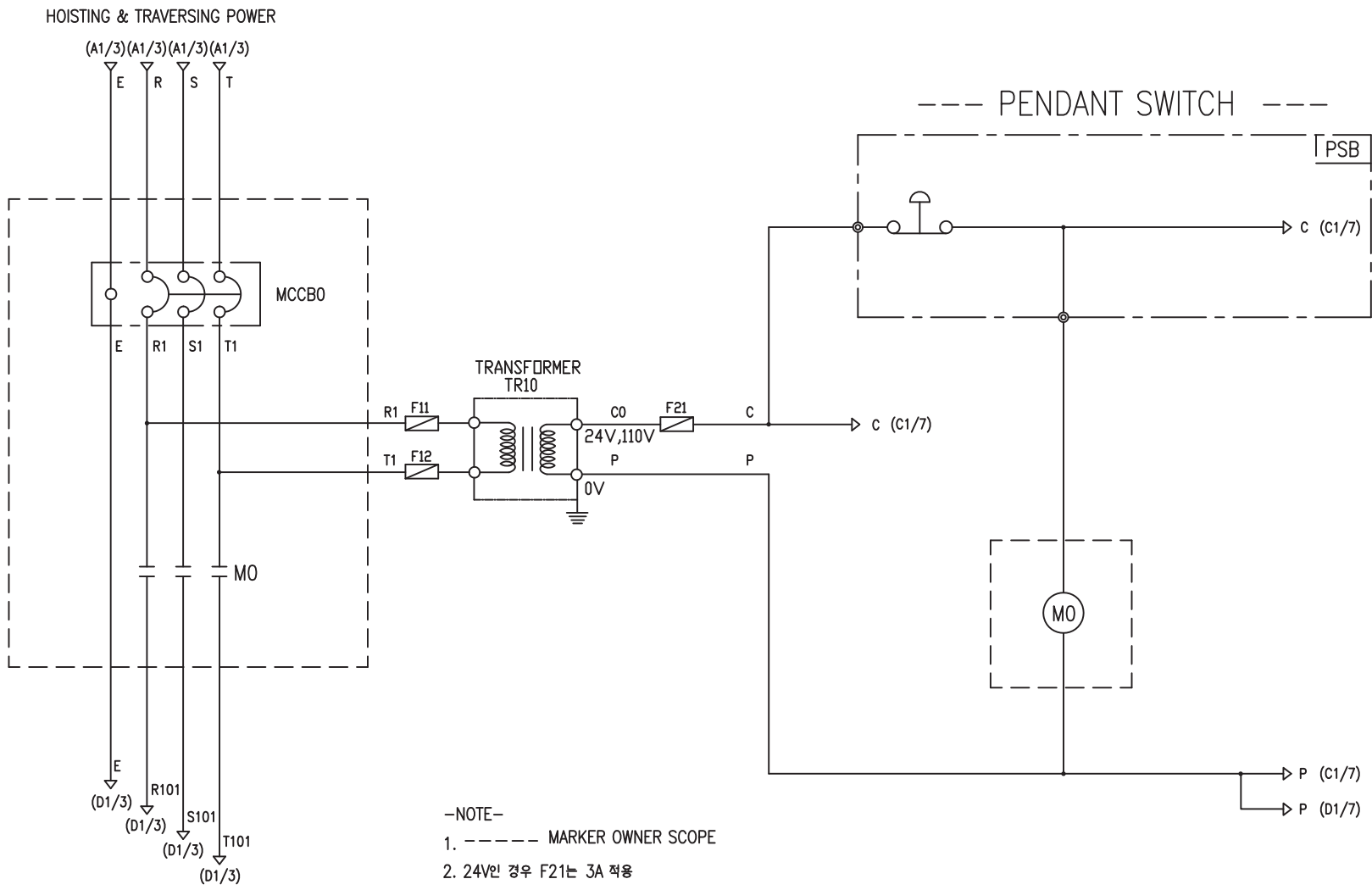
ADDRESS NO.  
A1



-NOTE-

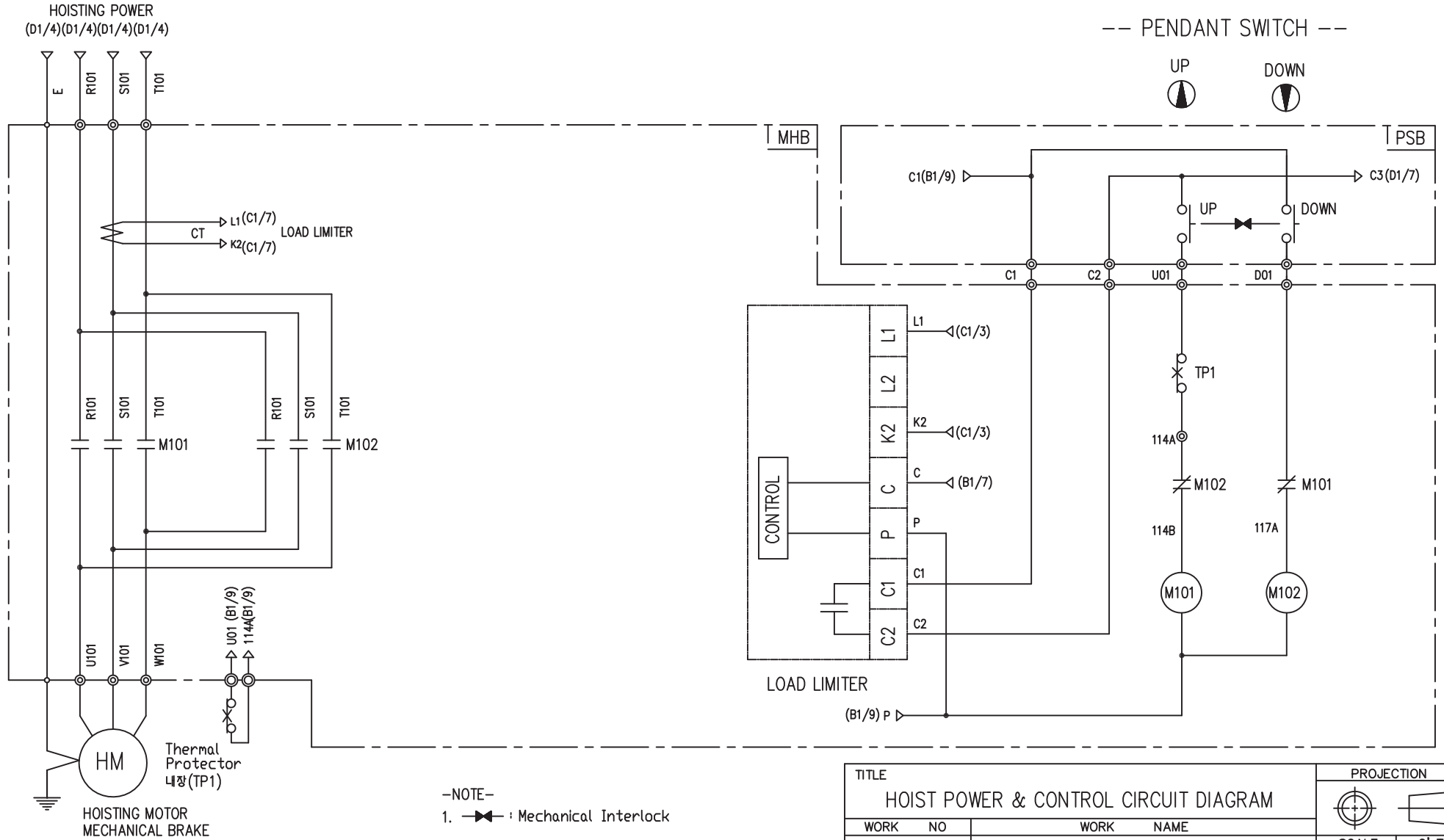
- 1. - - - - MARKED OWNER SCOPE
- 2. ——— MARKED CRANEMAKER SCOPE

TITLE MAIN POWER CIRCUIT DIAGRAM1				PROJECTION 	
WORK NO 601	WORK NAME LTM			SCALE 1/1	Q' TY 1
220V, 380V, 440V, 460V, 480V					
DRAWN LEE G.H. 2010.07.20	CHECKED	REVIEWED	APPROVED	DRAWING NO	
				CODE NO	
 <b>L K HOIST CO., LTD.</b>					



SPECIFICATION	NO FUSE BREAKER	MAGNET CONTACT	TRANSFORMER	FUZE
SYMBOLS	MCCB0	M0	TR10	F11, F12, F21
DESCRIPTION	220V	20A	30VA	1A
	380V	15A		
	440V	10A		
	460V	10A		
	470V	10A		
MAKER	LS	LS	DONGA	LK

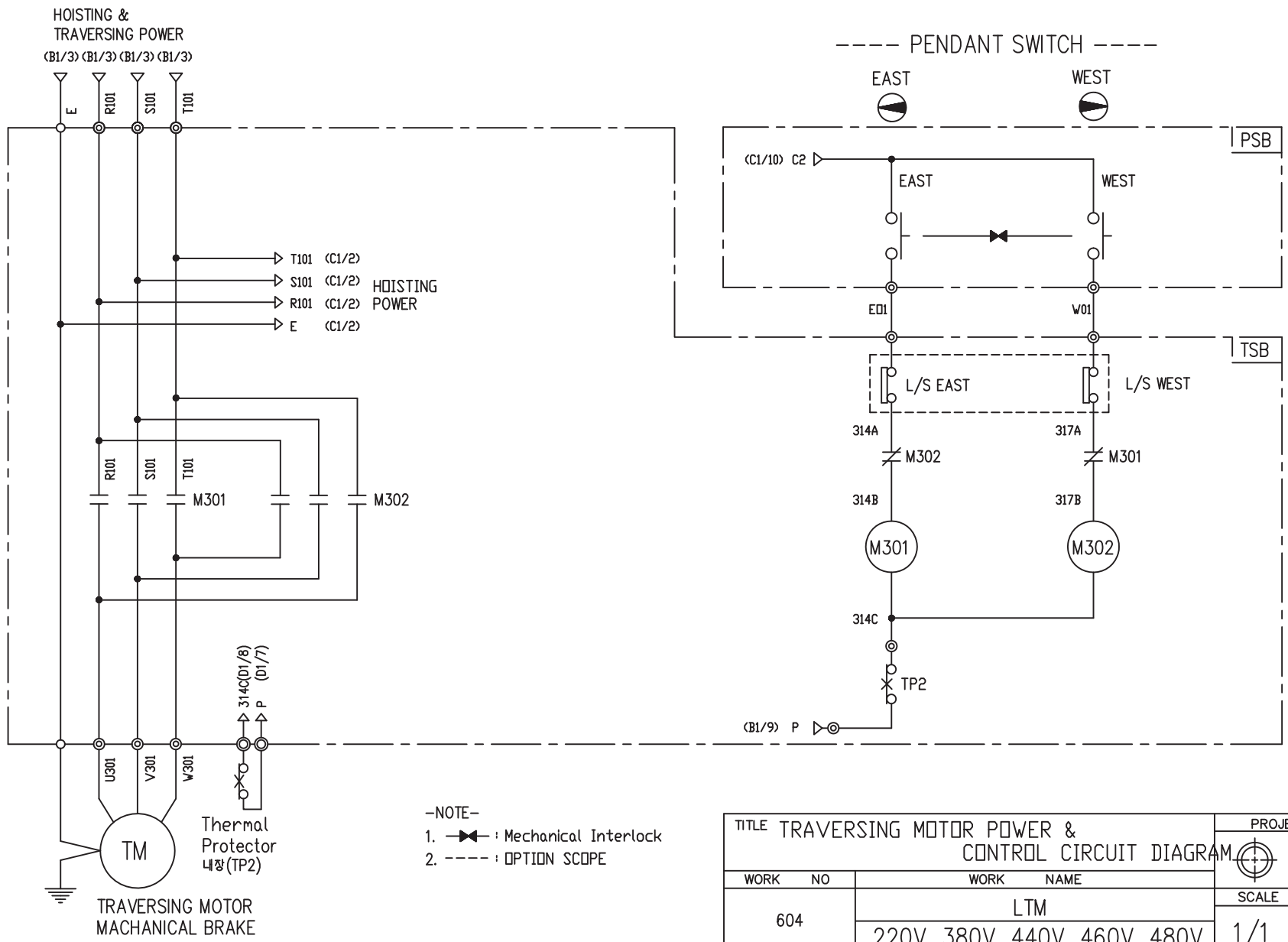
TITLE MAIN POWER & CONTROL CIRCUIT DIAGRAM						PROJECTION	
WORK NO 602		WORK NAME LTM				SCALE 1/1	
220V, 380V, 440V, 460V, 480V		DRAWING NO LTM		Q' TY 1			
DRAWN LEE.G.H	CHECKED	REVIEWED	APPROVED	DRAWING NO		LTM	
2010.07.20				CODE NO			
<b>L K HOIST CO., LTD.</b>							



-NOTE-  
1. : Mechanical Interlock

TITLE HOIST POWER & CONTROL CIRCUIT DIAGRAM						PROJECTION 	
WORK NO 603		WORK NAME LTM 220V, 380V, 440V, 460V, 480V				SCALE 1/1	Q' TY 1
DRAWN LEE.G.H 2010.07.20	CHECKED	REVIEWED	APPROVED	MODEL LTM	CODE NO		
L K HOIST CO., LTD.							

SPECIFICATION	MAGNET CONTACT	LOAD LIMITER	Thermal Protector	HOIST MOTOR	
SYMBOLS	M101, M102	-	TP1	HM	
DESCRIPTION	GMC12    DMC12	LKDL-501	17AM032	1.8Kw * 4P	1.2Kw * 6P
MAKER	LS      DONGA	LK	Texas Instruments	LK	

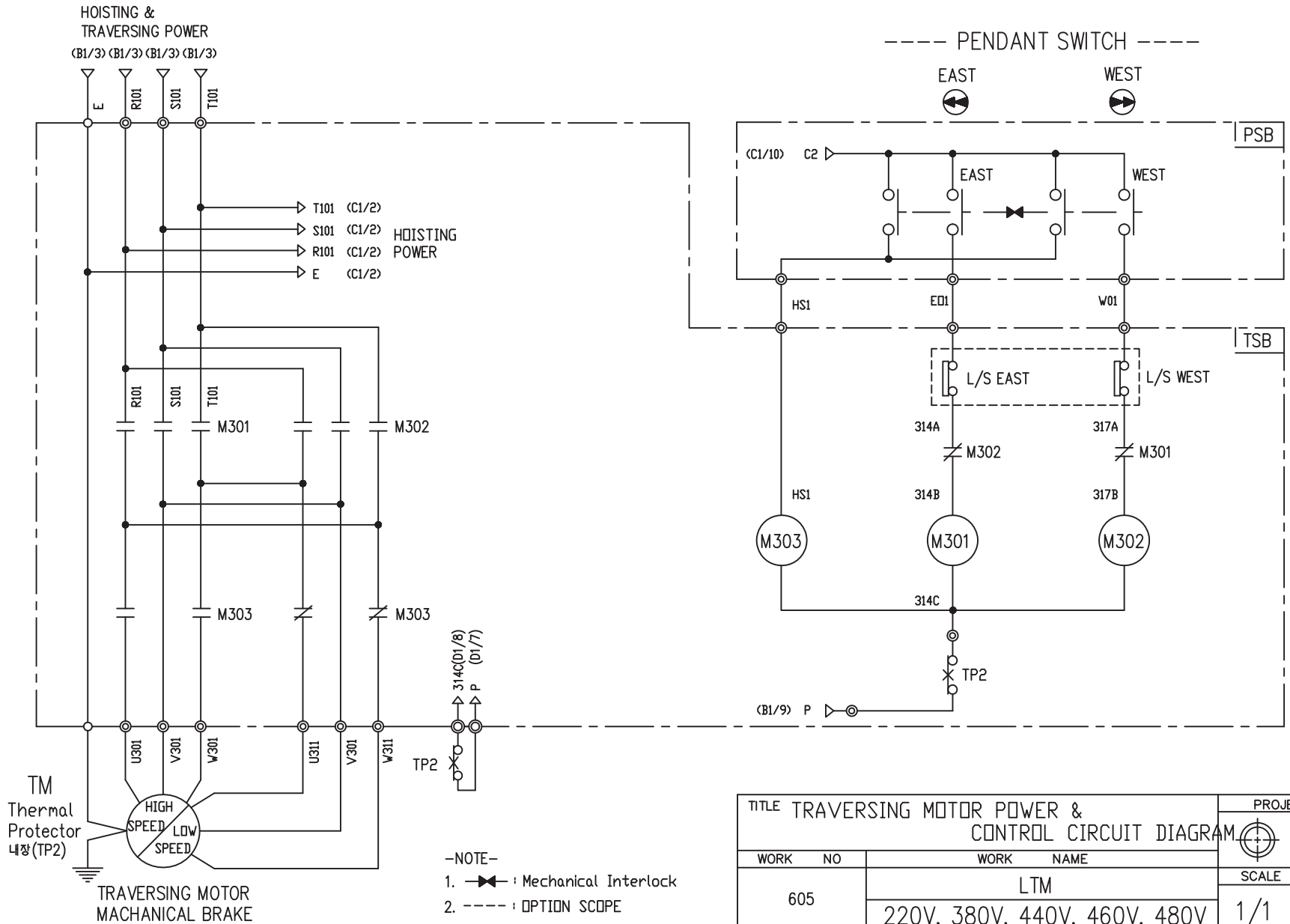


-NOTE-

1. : Mechanical Interlock
2. - - - - : OPTION SCOPE

TITLE TRAVERSING MOTOR POWER & CONTROL CIRCUIT DIAGRAM						PROJECTION	
WORK NO		WORK NAME					
604		LTM				SCALE	Q' TY
220V, 380V, 440V, 460V, 480V		1/1		1			
DRAWN	CHECKED	REVIEWED	APPROVED	MODEL	LTM		
LEE.G.H				CODE NO			
2010.07.20							
L K HOIST CO., LTD.							

SPECIFICATION	MAGNET CONTACT	Thermal Protector	TRAVERSING MOTOR	
SYMBOLS	M301, M302	TP2	TM	
DESCRIPTION	GMC12 DMC12	17AM032	0.2KW *4P	0.3KW *2P
MAKER	LS DONGA	Texas Instruments	LK	



SPECIFICATION	MAGNET CONTACT	Thermal Protector	TRAVERSING MOTOR
SYMBOLS	M301, M302, M303	TP2	TM
DESCRIPTION	GMC12 DMC12	17AM032	0.3/0.15KW *2/8P
MAKER	LS DONGA	Texas Instruments	LK

TITLE TRAVERSING MOTOR POWER & CONTROL CIRCUIT DIAGRAM					PROJECTION	
WORK NO		WORK NAME			SCALE	
605		LTM			Q' TY	
		220V, 380V, 440V, 460V, 480V			1/1 1	
DRAWN	CHECKED	REVIEWED	APPROVED	MODEL	LTM	
LEE.G.H				CODE NO		
2010.07.20						
L K HOIST CO., LTD.						

## SCHEDULE OF TECHNICAL DATA

1. SERVICE	HOISTING
2. MANUFACTURE	LK HOIST CO. LTD
3. MOTOR MODEL NO	1.8 - 4 - 48
4. RATED POWER	1.8 KW × 4 P
5. RATED VOLTAGE AND FREQUENCY	480 V      60HZ
6. MOTOR TYPE	SQUIRREL CAGE ROTOR TYPE
7. RATING	30 MIN
8. LOCATION	IN-DOOR , OUTDOOR
9. INSULATION CLASS	B
10. DESIGN TEMPERATURE RISE (BY RESISTANCE)	80℃
11. FULL LOAD SPEED	1720 RPM
12. FULL LOAD CURRENT	4.0 A
13. STARTING CURRENT AT RATED VOLTAGE	19.8 A
14. MINIMUM STARTING VOLTAGE	397 V
15. EFFICIENCY AT 100% RATED LOAD	69.1 %
16. POWER FACTOR AT 100% RATED LOAD	65.3 %
17. STARTING TORQUE	245 %
18. TYPE OF ENCLOSURE	전폐형
19. TYPE OF BEARING	PL : 6008DD    OPL : 6207ZZ
20. MOUNTING	VERTICAL
21. MAXIMUM AMBIENT TEMPURE	40℃
22. BEARING LUBRICATION	GREASE
23. STARTING METHOD	FULL VOLTAGE

## SCHEDULE OF TECHNICAL DATA

1. SERVICE	HOISTING
2. MANUFACTURE	LK HOIST CO. LTD
3. MOTOR MODEL NO	1.2 - 6 - 48
4. RATED POWER	1.2 KW × 6 P
5. RATED VOLTAGE AND FREQUENCY	480 V      60HZ
6. MOTOR TYPE	SQUIRREL CAGE ROTOR TYPE
7. RATING	30 MIN
8. LOCATION	IN-DOOR , OUTDOOR
9. INSULATION CLASS	B
10. DESIGN TEMPERATURE RISE (BY RESISTANCE)	80℃
11. FULL LOAD SPEED	1150 RPM
12. FULL LOAD CURRENT	4.1 A
13. STARTING CURRENT AT RATED VOLTAGE	20.5 A
14. MINIMUM STARTING VOLTAGE	437 V
15. EFFICIENCY AT 100% RATED LOAD	66.5 %
16. POWER FACTOR AT 100% RATED LOAD	66 %
17. STARTING TORQUE	245 %
18. TYPE OF ENCLOSURE	전폐형
19. TYPE OF BEARING	PL : 6008DD    OPL : 6207ZZ
20. MOUNTING	VERTICAL
21. MAXIMUM AMBIENT TEMPURE	40℃
22. BEARING LUBRICATION	GREASE
23. STARTING METHOD	FULL VOLTAGE

## SCHEDULE OF TECHNICAL DATA

1. SERVICE	TRAVERSING
2. MANUFACTURE	LK HOIST CO. LTD
3. MOTOR MODEL NO	0.3 - 2 - 48
4. RATED POWER	0.3 KW × 2 P
5. RATED VOLTAGE AND FREQUENCY	480 V      60HZ
6. MOTOR TYPE	SQUIRREL CAGE ROTOR TYPE
7. RATING	15 MIN
8. LOCATION	IN-DOOR , OUTDOOR
9. INSULATION CLASS	B
10. DESIGN TEMPERATURE RISE (BY RESISTANCE)	100℃
11. FULL LOAD SPEED	3440 RPM
12. FULL LOAD CURRENT	1.2 A
13. STARTING CURRENT AT RATED VOLTAGE	5.96 A
14. MINIMUM STARTING VOLTAGE	432 V
15. EFFICIENCY AT 100% RATED LOAD	55.4 %
16. POWER FACTOR AT 100% RATED LOAD	54.3 %
17. STARTING TORQUE	230 %
18. TYPE OF ENCLOSURE	전폐형
19. TYPE OF BEARING	PL : 6008DD    OPL : 6207ZZ
20. MOUNTING	VERTICAL
21. MAXIMUM AMBIENT TEMPURE	40℃
22. BEARING LUBRICATION	GREASE
23. STARTING METHOD	FULL VOLTAGE

## SCHEDULE OF TECHNICAL DATA

1. SERVICE	TRAVERSING
2. MANUFACTURE	LK HOIST CO. LTD
3. MOTOR MODEL NO	0.2 - 4 - 48
4. RATED POWER	0.2 KW × 4 P
5. RATED VOLTAGE AND FREQUENCY	480 V      60HZ
6. MOTOR TYPE	SQUIRREL CAGE ROTOR TYPE
7. RATING	15 MIN
8. LOCATION	IN-DOOR , OUTDOOR
9. INSULATION CLASS	B
10. DESIGN TEMPERATURE RISE (BY RESISTANCE)	100℃
11. FULL LOAD SPEED	1690 RPM
12. FULL LOAD CURRENT	0.92 A
13. STARTING CURRENT AT RATED VOLTAGE	4.8 A
14. MINIMUM STARTING VOLTAGE	432 V
15. EFFICIENCY AT 100% RATED LOAD	52.1 %
16. POWER FACTOR AT 100% RATED LOAD	50.2 %
17. STARTING TORQUE	233 %
18. TYPE OF ENCLOSURE	전폐형
19. TYPE OF BEARING	PL : 6008DD    OPL : 6207ZZ
20. MOUNTING	VERTICAL
21. MAXIMUM AMBIENT TEMPURE	40℃
22. BEARING LUBRICATION	GREASE
23. STARTING METHOD	FULL VOLTAGE

## SCHEDULE OF TECHNICAL DATA

1. SERVICE	TRAVERSING
2. MANUFACTURE	LK HOIST CO. LTD
3. MOTOR MODEL NO	0.3/0.15 - 2/8 - 48
4. RATED POWER	0.3/0.15 KW × 2/8 P
5. RATED VOLTAGE AND FREQUENCY	480 V      60HZ
6. MOTOR TYPE	SQUIRREL CAGE ROTOR TYPE
7. RATING	15 MIN
8. LOCATION	IN-DOOR , OUTDOOR
9. INSULATION CLASS	B
10. DESIGN TEMPERATURE RISE (BY RESISTANCE)	100℃
11. FULL LOAD SPEED	3440 / 840 RPM
12. FULL LOAD CURRENT	1.2 / 1.1 A
13. STARTING CURRENT AT RATED VOLTAGE	6.2 / 5.5 A
14. MINIMUM STARTING VOLTAGE	432 V
15. EFFICIENCY AT 100% RATED LOAD	55.4 / 41.1 %
16. POWER FACTOR AT 100% RATED LOAD	54.3 / 39.9 %
17. STARTING TORQUE	233 / 230 %
18. TYPE OF ENCLOSURE	전폐형
19. TYPE OF BEARING	PL : 6008DD    OPL : 6207ZZ
20. MOUNTING	VERTICAL
21. MAXIMUM AMBIENT TEMPURE	40℃
22. BEARING LUBRICATION	GREASE
23. STARTING METHOD	FULL VOLTAGE