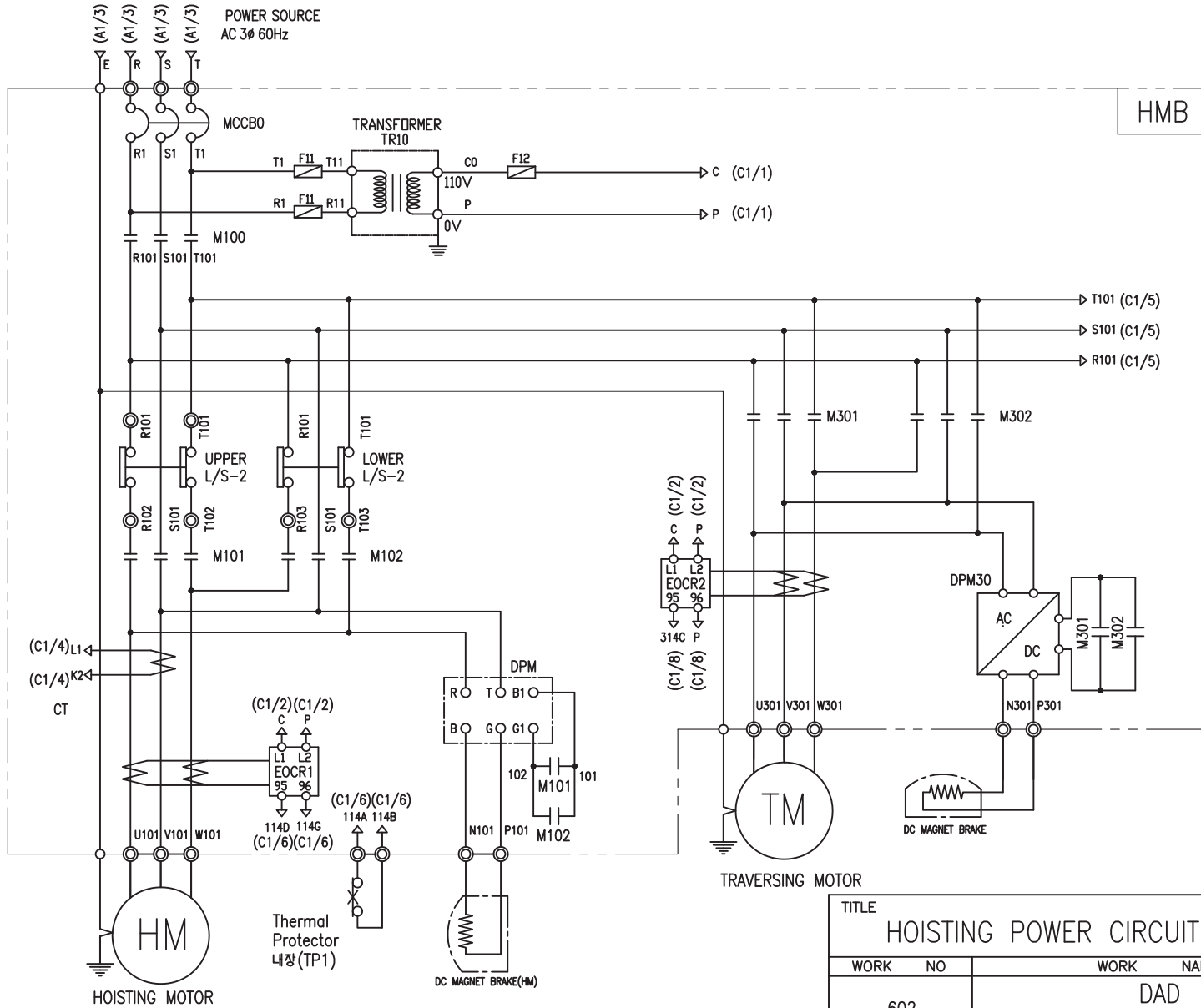


TRAVELLING POWER
SUPPLY SYSTEM
TB1(Trolley Bar
or Festoon Type)



- NOTE-
- 1. - - - - MARKED OWNER SCOPE
 - 2. ——— MARKED CRANE MAKER SCOPE

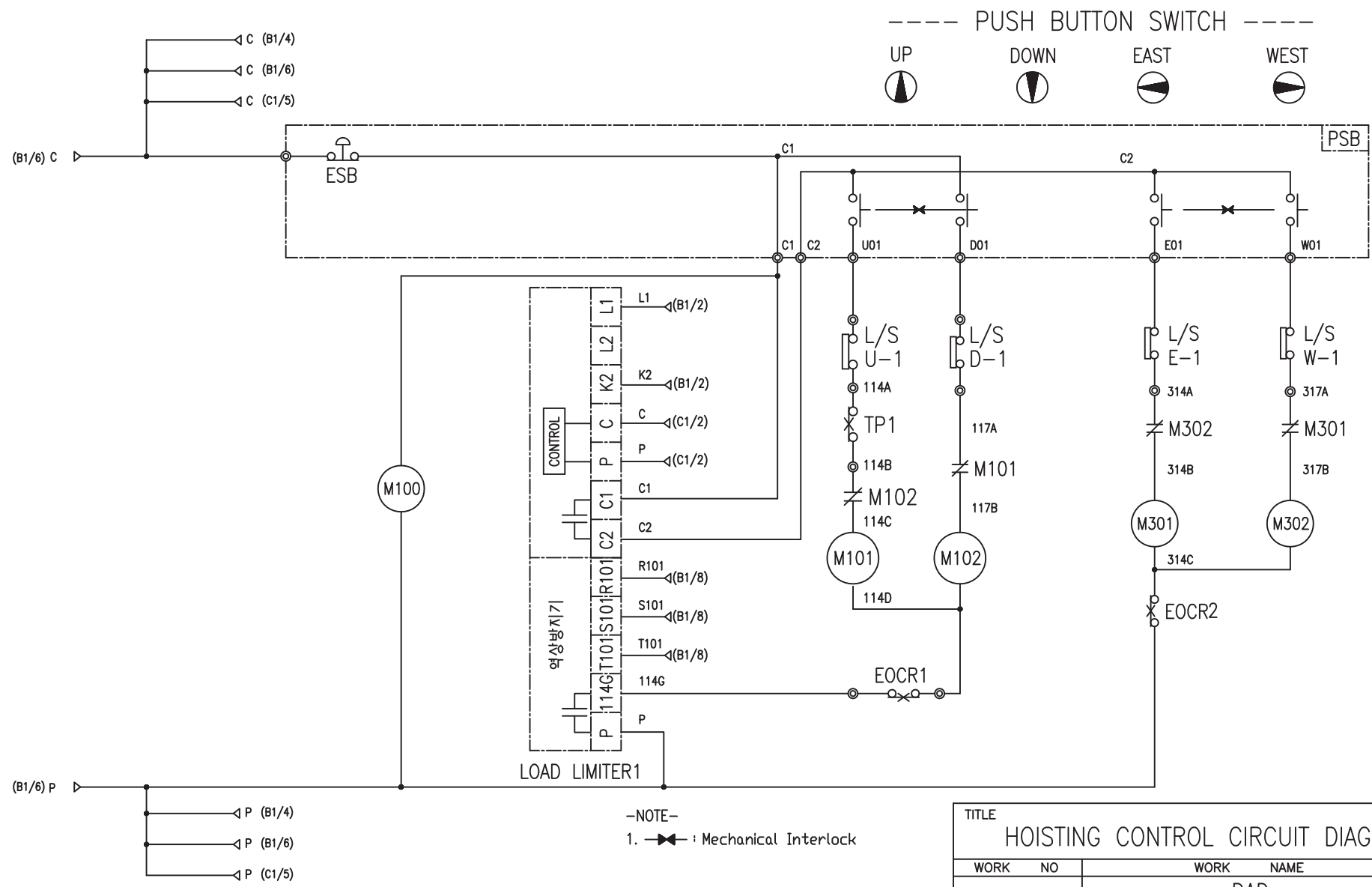
TITLE MAIN POWER CIRCUIT DIAGRAM1				PROJECTION 	
WORK NO 601	WORK NAME DAD			SCALE 1/1	Q' TY 1
220V, 380V, 440V, 460V, 480V					
DRAWN LEE.G.H	CHECKED	REVIEWED	APPROVED	MODEL	
2010.08.06				CODE NO	
L K HOIST CO., LTD.					



HMB

TITLE HOISTING POWER CIRCUIT DIAGRAM				PROJECTION 	
WORK NO 602		WORK NAME DAD			
		220V, 440V, 460V, 480V			
SCALE	Q' TY				
DRAWN LEE.G.H	CHECKED	REVIEWED	APPROVED	MODEL	
2010.08.06				CODE NO	CODE_NO
L K HOIST CO., LTD.					

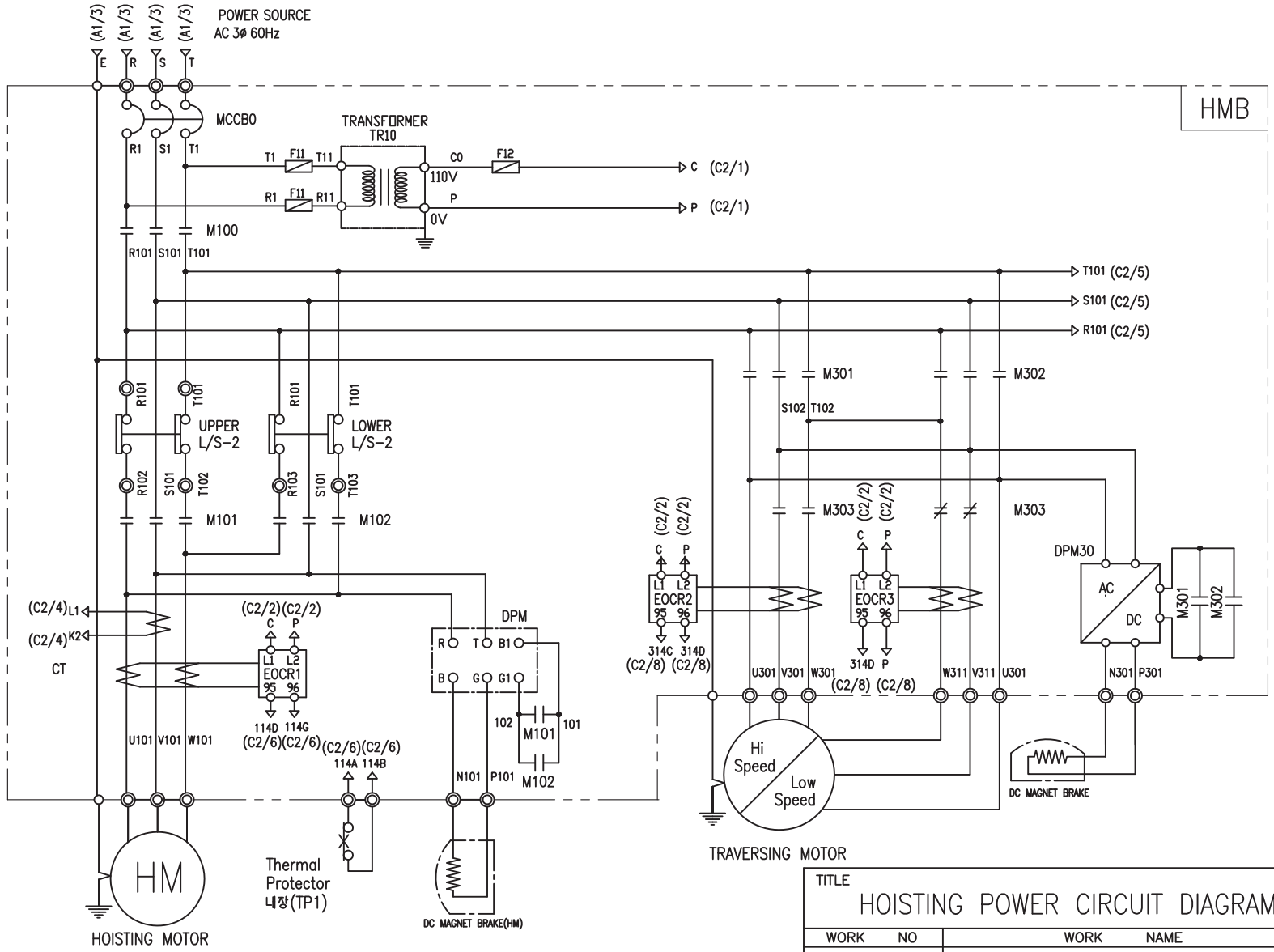
SPECIFICATION	NO FUSE BREAKER	MAGNET CONTACTOR	TRANSFORMER	SILICON RECTIFIER	과전류계전기	FUSE	HOISTING MOTOR	TRAVERSING MOTOR
SYMBOLS	MCCB0	M100, M101, M102	TR10	DPM, DPM30	EOCR1 EOCR2	F11 F12	HM	TM
DESCRIPTION	220V 30A 440V 15A 460V 15A 480V 15A	DMC22	60 VA	AC220V AC440V AC460V AC480V DC99V DC198V DC207V DC216V	SS-30 SS-06	1A 2A	1.8Kw x 4P	0.75Kw * 4P 0.5Kw * 6P
MAKER	LS	DONGA	YOUNG DONG	LK	SAMWHA	-	LK	LK





-NOTE-
1. —X— : Mechanical Interlock

SPECIFICATION	LOAD LIMITER
SYMBOLS	LKDL601
DESCRIPTION	1A - 50A
MAKER	LK

TITLE HOISTING CONTROL CIRCUIT DIAGRAM						PROJECTION 	
WORK NO 604		WORK NAME DAD				SCALE Q' TY	
220V, 380V, 440V, 460V, 480V							
DRAWN LEE.G.H	CHECKED	REVIEWED	APPROVED	MODEL			
2010.08.06				CODE NO	CODE_NO		
L K HOIST CO., LTD.							



TITLE HOISTING POWER CIRCUIT DIAGRAM				PROJECTION  	
WORK NO 605		WORK NAME DAD			
		220V, 440V, 460V, 480V			
DRAWN LEE.G.H	CHECKED	REVIEWED	APPROVED	MODEL	
2010.08.06				CODE NO	CODE_NO
LK L K HOIST CO., LTD.					

SPECIFICATION	NO FUSE BREAKER	MAGNET CONTACTOR	TRANSFORMER	SILICON RECTIFIER	과전류계전기	FUSE	HOISTING MOTOR	TRAVERSING MOTOR
SYMBOLS	MCCB0	M100, M101, M102	TR10	DPM, DPM30	EOCR1 EOCR2 EOCR3	F11 F12	HM	TM
DESCRIPTION	220V 30A 440V 30A 460V 30A 480V 30A	DMC22 DMC22	60 VA	AC220V AC440V AC460V AC480V DC99V DC198V DC207V DC216V	SS-30 SS-06	1A 2A	1.8Kw x 4P 0.75Kw * 4P /0.25Kw * 6P	
MAKER	LS	DONGA	YOUNG DONG	LK	SAMWHA	-	LK	LK



-NOTE-
1. —X— : Mechanical Interlock

SPECIFICATION	LOAD LIMITER
SYMBOLS	LKDL601
DESCRIPTION	1A - 50A
MAKER	LK

TITLE HOISTING CONTROL CIRCUIT DIAGRAM				PROJECTION 	
WORK NO	WORK NAME			SCALE	Q' TY
607	DAD				
220V, 380V, 440V, 460V, 480V					
DRAWN	CHECKED	REVIEWED	APPROVED	MODEL	
LEE.G.H				CODE NO	CODE_NO
2010.08.06					
L K HOIST CO., LTD.					

SCHEDULE OF TECHNICAL DATA

1. SERVICE	HOISTING
2. MANUFACTURE	LK HOIST CO. LTD
3. MOTOR MODEL NO	1.8 - 4 - 44
4. RATED POWER	1.8 KW × 4 P
5. RATED VOLTAGE AND FREQUENCY	440 V 60HZ
6. MOTOR TYPE	SQUIRREL CAGE ROTOR TYPE
7. RATING	30 MIN
8. LOCATION	IN-DOOR , OUTDOOR
9. INSULATION CLASS	B
10. DESIGN TEMPERATURE RISE (BY RESISTANCE)	80℃
11. FULL LOAD SPEED	1740 RPM
12. FULL LOAD CURRENT	4.7 A
13. STARTING CURRENT AT RATED VOLTAGE	23.5 A
14. MINIMUM STARTING VOLTAGE	396 V
15. EFFICIENCY AT 100% RATED LOAD	72.0 %
16. POWER FACTOR AT 100% RATED LOAD	69.8 %
17. STARTING TORQUE	245 %
18. TYPE OF ENCLOSURE	전폐형
19. TYPE OF BEARING	PL : 6008DD OPL : 6207ZZ
20. MOUNTING	VERTICAL
21. MAXIMUM AMBIENT TEMPURE	40℃
22. BEARING LUBRICATION	GREASE
23. STARTING METHOD	FULL VOLTAGE

SCHEDULE OF TECHNICAL DATA

1. SERVICE	TRAVERSING
2. MANUFACTURE	LK HOIST CO. LTD
3. MOTOR MODEL NO	0.75 - 4 - 44
4. RATED POWER	0.75 KW × 4 P
5. RATED VOLTAGE AND FREQUENCY	440 V 60HZ
6. MOTOR TYPE	SQUIRREL CAGE ROTOR TYPE
7. RATING	15 MIN
8. LOCATION	OUTDOOR
9. INSULATION CLASS	B
10. DESIGN TEMPERATURE RISE (BY RESISTANCE)	100℃
11. FULL LOAD SPEED	1710 RPM
12. FULL LOAD CURRENT	2.4 A
13. STARTING CURRENT AT RATED VOLTAGE	13.2 A
14. MINIMUM STARTING VOLTAGE	396 V
15. EFFICIENCY AT 100% RATED LOAD	65 %
16. POWER FACTOR AT 100% RATED LOAD	63 %
17. STARTING TORQUE	249 %
18. TYPE OF ENCLOSURE	전폐형
19. TYPE OF BEARING	PL : 6008DD OPL : 6207ZZ
20. MOUNTING	VERTICAL
21. MAXIMUM AMBIENT TEMPURE	40℃
22. BEARING LUBRICATION	GREASE
23. STARTING METHOD	FULL VOLTAGE

SCHEDULE OF TECHNICAL DATA

1. SERVICE	TRAVERSING
2. MANUFACTURE	LK HOIST CO. LTD
3. MOTOR MODEL NO	0.5 - 6 - 44
4. RATED POWER	0.5 KW × 6 P
5. RATED VOLTAGE AND FREQUENCY	440 V 60HZ
6. ROTOR TYPE	SQUIRREL CAGE ROTOR TYPE
7. RATING	15 MIN
8. LOCATION	OUTDOOR
9. INSULATION CLASS	B
10. DESIGN TEMPERATURE RISE (BY RESISTANCE)	100℃
11. FULL LOAD SPEED	1140 RPM
12. FULL LOAD CURRENT	1.6 A
13. STARTING CURRENT AT RATED VOLTAGE	8.8 A
14. MINIMUM STARTING VOLTAGE	396 V
15. EFFICIENCY AT 100% RATED LOAD	65 %
16. POWER FACTOR AT 100% RATED LOAD	63 %
17. STARTING TORQUE	250 %
18. TYPE OF ENCLOSURE	전폐형
19. TYPE OF BEARING	PL : 6008DD OPL : 6207ZZ
20. MOUNTING	VERTICAL
21. MAXIMUM AMBIENT TEMPERATURE	40℃
22. BEARING LUBRICATION	GREASE
23. STARTING METHOD	FULL VOLTAGE

SCHEDULE OF TECHNICAL DATA

1. SERVICE	TRAVERSING
2. MANUFACTURE	LK HOIST CO. LTD
3. MOTOR MODEL NO	0.75/0.25 - 4/12 - 44
4. RATED POWER	0.75/0.25 KW × 4/12 P
5. RATED VOLTAGE AND FREQUENCY	440 V 60HZ
6. MOTOR TYPE	SQUIRREL CAGE ROTOR TYPE
7. RATING	15 MIN
8. LOCATION	OUTDOOR
9. INSULATION CLASS	B
10. DESIGN TEMPERATURE RISE (BY RESISTANCE)	100℃
11. FULL LOAD SPEED	1710 / 550 RPM
12. FULL LOAD CURRENT	2.4 / 1.5 A
13. STARTING CURRENT AT RATED VOLTAGE	13.2 / 8.25 A
14. MINIMUM STARTING VOLTAGE	396 V
15. EFFICIENCY AT 100% RATED LOAD	65 / 48 %
16. POWER FACTOR AT 100% RATED LOAD	63 / 46 %
17. STARTING TORQUE	250 / 243 %
18. TYPE OF ENCLOSURE	전폐형
19. TYPE OF BEARING	PL : 6008DD OPL : 6207ZZ
20. MOUNTING	VERTICAL
21. MAXIMUM AMBIENT TEMPURE	40℃
22. BEARING LUBRICATION	GREASE
23. STARTING METHOD	FULL VOLTAGE