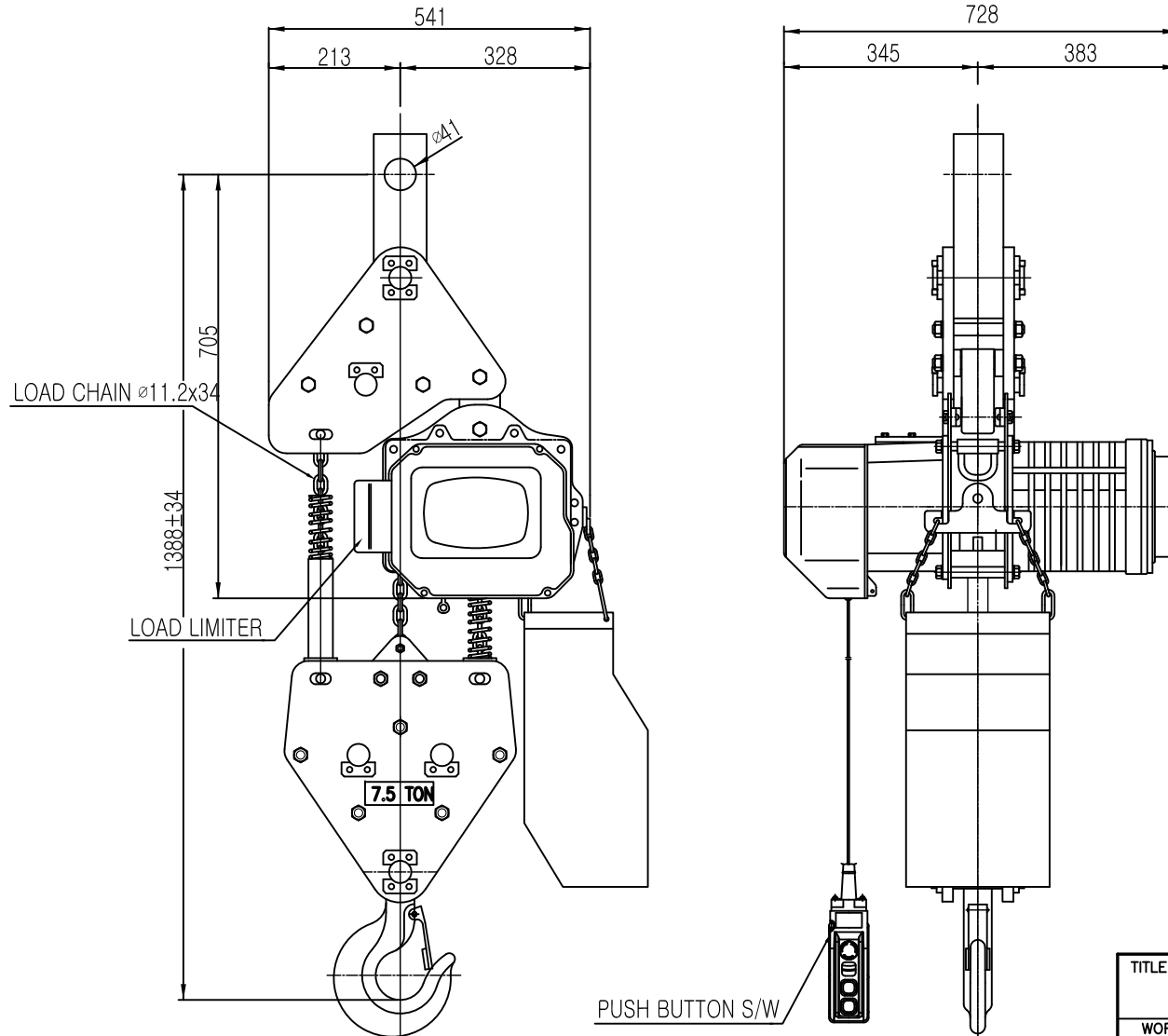


L K HOIST

NO	DESCRIPTION	SIZE	MAT'L	Q'TY	WT (kg)	REMARKS



SPECIFICATION		
HOISTING LOAD	7.5	TON
TESTING LOAD	9.375	TON
LIFTING HEIGHT	50	M
HOISTING	SPEED	2.1/0.7 M/MIN
	MOTOR	4.4/2.2KW x 2/6P
TRAVERSING	SPEED	- M/MIN
	MOTOR	- KW x - SET
POWER SUPPLY	AC 220,380,440,460,480Vx3ø x 60 Hz	
OPERATING METHOD	P.B type ON . FL	
LOAD CHIN	ø11.2 x 34 (3 FALL)	
WEIGHT	633 KG	

NOTE)

- 1) 점검 설비를 갖출것.
- 2) 인허가 서류를 완성검사시 제출할것.

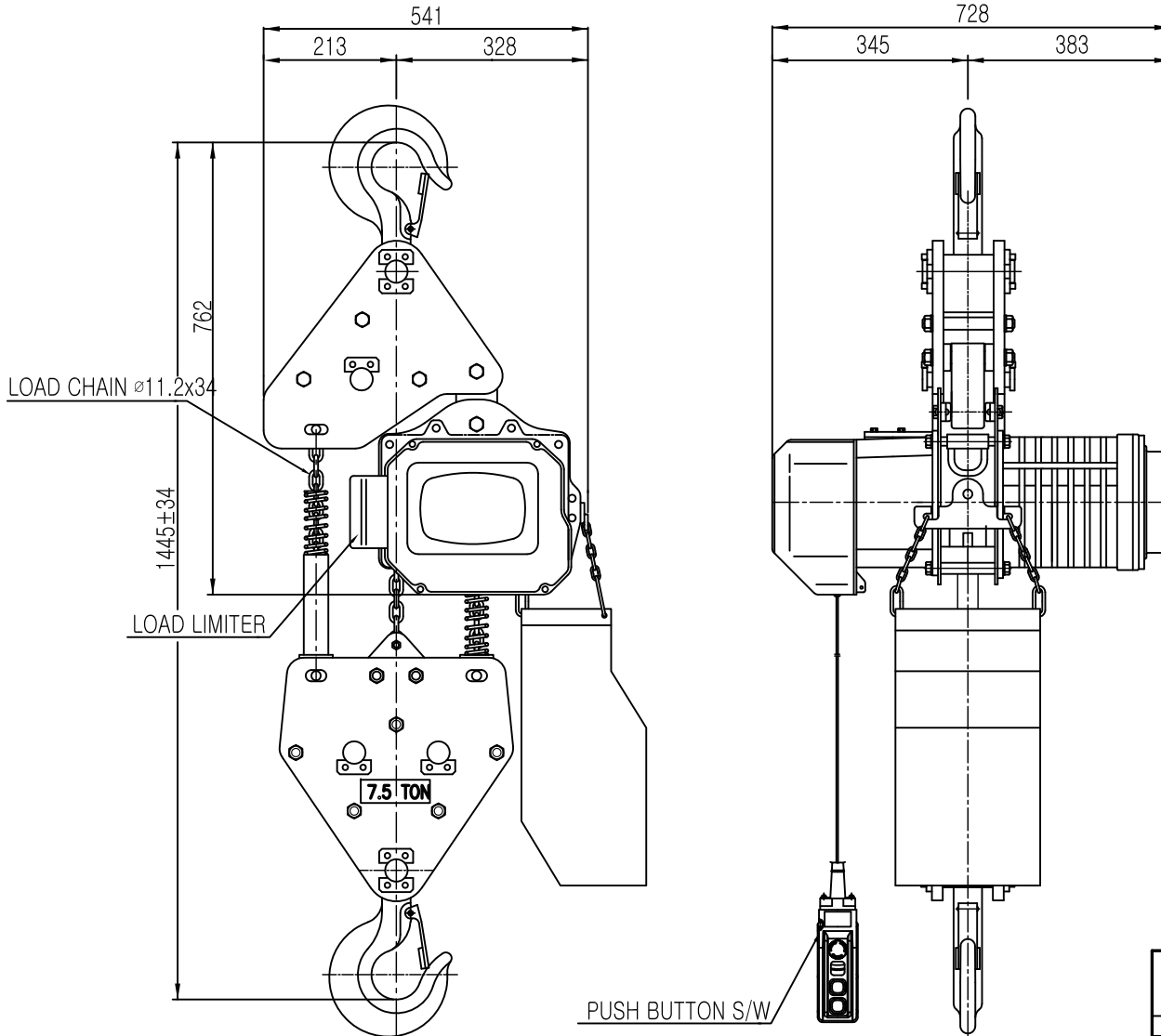
REV.NO	DATE	REVISION DESCRIPTION	DRAWN	CHECKED	APPROVED

TITLE					PROJECTION		
DB-7.5WELECTRIC CHAIN HOIST							
WORK NO	WORK NAME				SCALE	Q' TY	
	CONNECTOR TYPE				N S	1	
DRAWN	CHECKED	REVIEWED	APPROVED	DRAWING NO			
김 창 기							
2010.07.27							
L K HOIST CO., LTD.							

L K HOIST

ON DRAWING

NO	DESCRIPTION	SIZE	MAT L	Q' TY	WT (kg)	REMARKS



SPECIFICATION		
HOISTING LOAD	7.5	TON
TESTING LOAD	9.375	TON
LIFTING HEIGHT	50	M
HOISTING	SPEED	2.1/0.7 M/MIN
	MOTOR	4.4/2.2KW x 2/6P
TRAVERSING	SPEED	- M/MIN
	MOTOR	- KW x - SET
POWER SUPPLY	AC 220,380,440,460,480Vx3ø x 60 Hz	
OPERATING METHOD	P.B type ON . FL	
LOAD CHIN	ø11.2 x 34 (3 FALL)	
WEIGHT	633 KG	

NOTE)

- 1) 점검 설비를 갖출것.
- 2) 인허가 서류를 완성검사시 제출할것.

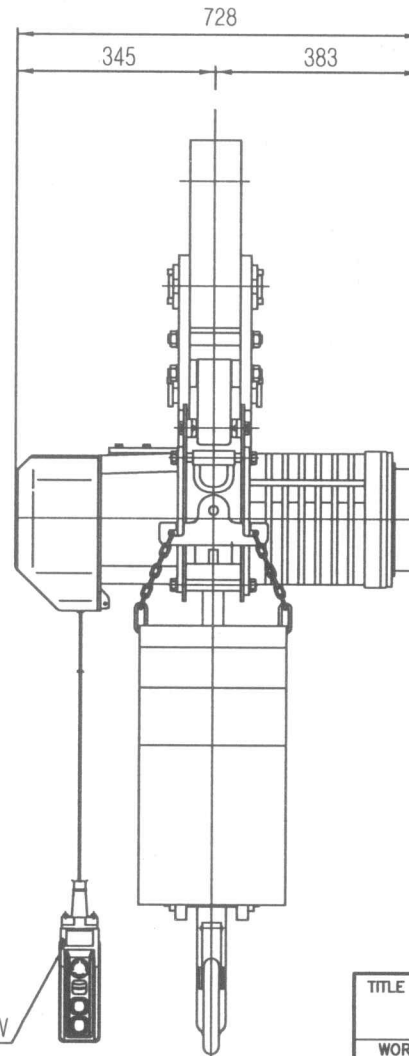
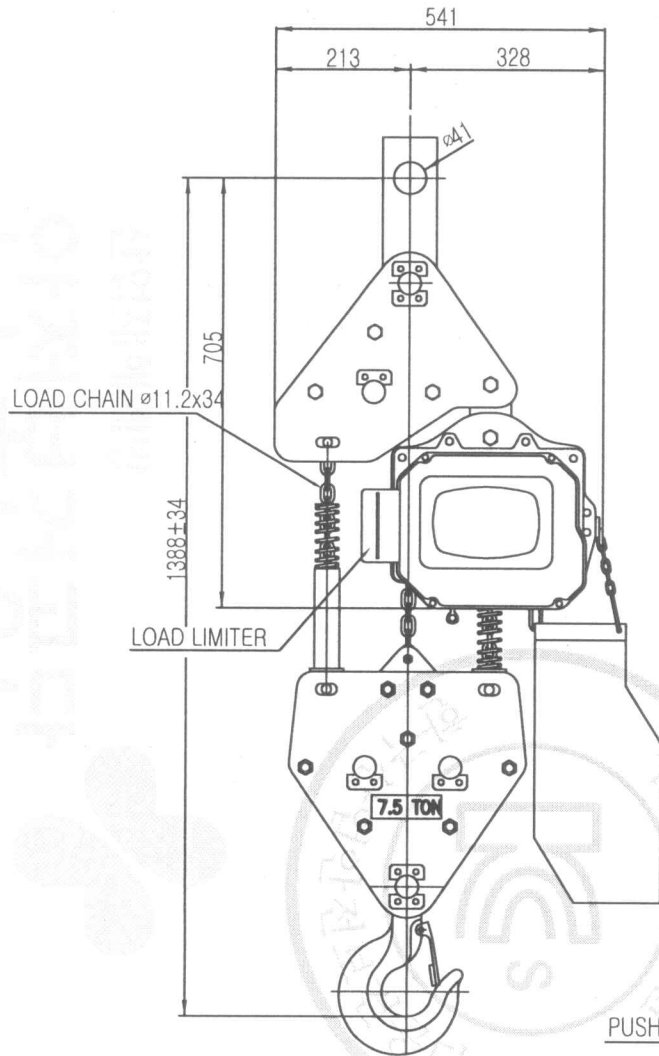
TITLE				PROJECTION	
DB-7.5W ELECTRIC CHAIN HOIST					
WORK NO	WORK NAME			SCALE	Q' TY
	HOOK TYPE			N S	1
DRAWN	CHECKED	REVIEWED	APPROVED	DRAWING NO	
김 창 기					
2010.07.27					
L K HOIST CO., LTD.					

REV.NO	DATE	REVISION	DESCRIPTION	DRAWN	CHECKED	APPROVED

L K HOIST

OH DRAWING

NO	DESCRIPTION	SIZE	MAT'L	Q'TY	WT (kg)	REMARKS



SPECIFICATION

HOISTING LOAD	7.5	TON
TESTING LOAD	9.375	TON
LIFTING HEIGHT	50	M
HOISTING	SPEED	2.1/0.7 M/MIN
	MOTOR	4.4/2.2KW x 2/6P
TRAVERSING	SPEED	- M/MIN
	MOTOR	- KW x - SET
POWER SUPPLY	AC 220,380,440,460,480Vx3øx60 Hz	
OPERATING METHOD	P.B type ON . FL	
LOAD CHIN	ø11.2 x 34 (3 FALL)	
WEIGHT	633 KG	

NOTE)

- 1) 점검 설비를 갖출것.
- 2) 인허가 서류를 완성검사시 제출할것.

결번복제 및 배포금지

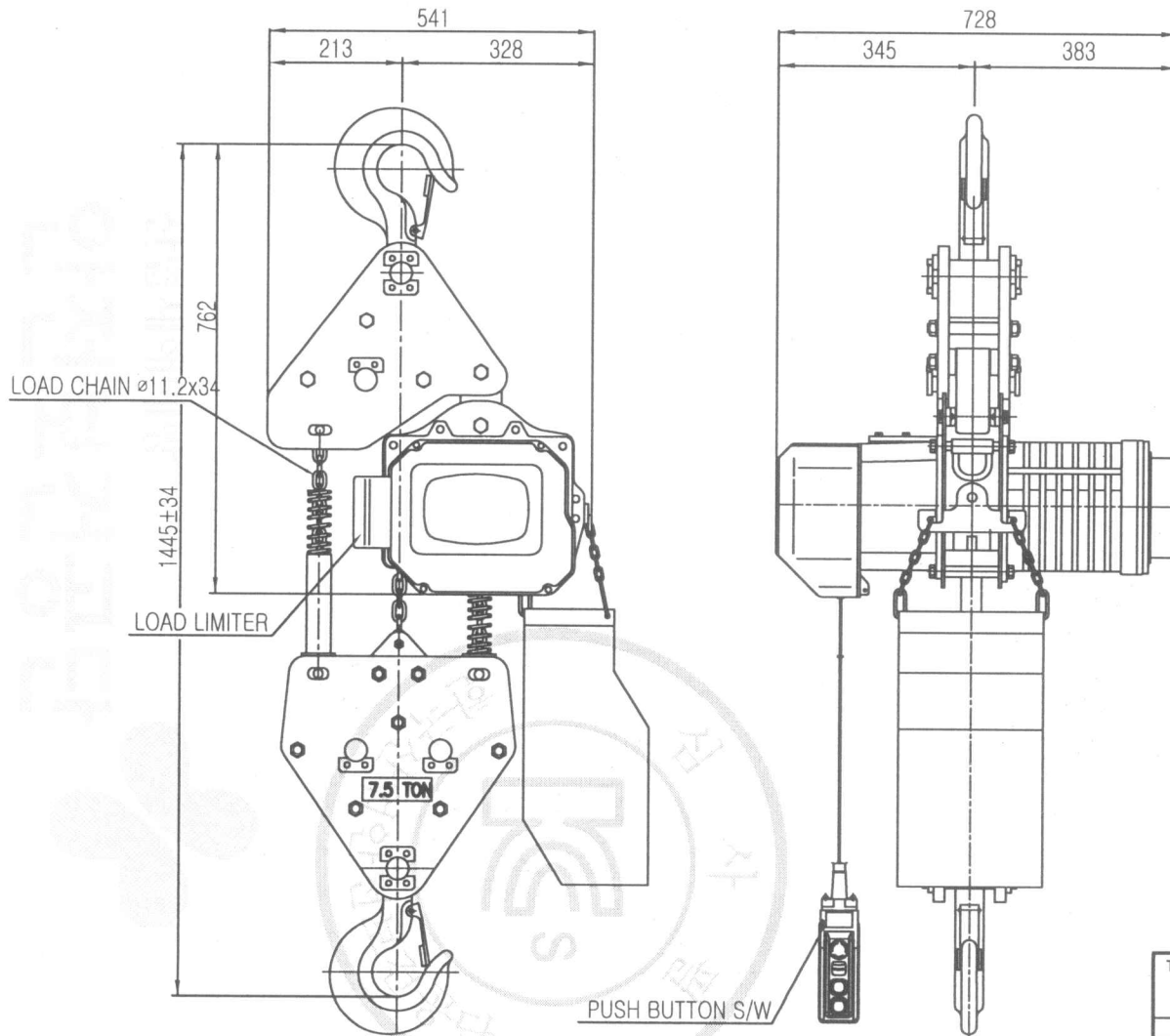
TITLE				PROJECTION	
DB-7.5WELECTRIC CHAIN HOIST					
CONNECTOR TYPE				N	S 1
DRAWN	CHECKED	REVIEWED	APPROVED	DRAWING NO	
김 창 기					
2010.07.27					

REV.NO	DATE	REVISION	DESCRIPTION	DRAWN	CHECKED	APPROVED

L K HOIST

ON DMMVHG

NO	DESCRIPTION	SIZE	MAT L	Q'TY	WT (kg)	REMARKS



SPECIFICATION		
HOISTING LOAD	7.5	TON
TESTING LOAD	9.375	TON
LIFTING HEIGHT	50	M
HOISTING	SPEED	2.1/0.7 M/MIN
	MOTOR	4.4/2.2KW x 2/6P
TRAVERSING	SPEED	- M/MIN
	MOTOR	- KW x - SET
POWER SUPPLY	AC 220,380,440,460,480Vx3ø x 60 Hz	
OPERATING METHOD	P.B type ON . FL	
LOAD CHIN	ø11.2 x 34 (3 FALL)	
WEIGHT	633 KG	

NOTE)

- 1) 점검 설비를 갖출것.
- 2) 인허가 서류를 완성검사시 제출할것.

물범복제 및 배포금지

TITLE				PROJECTION	
DB-7.5W ELECTRIC CHAIN HOIST					
WORK NO	WORK NAME			SCALE	Q'TY
	HOOK TYPE			N S	1
DRAWN	CHECKED	REVIEWED	APPROVED	DRAWING NO	
김창기					
2010.07.27					

REV.NO	DATE	REVISION	DESCRIPTION	DRAWN	CHECKED	APPROVED