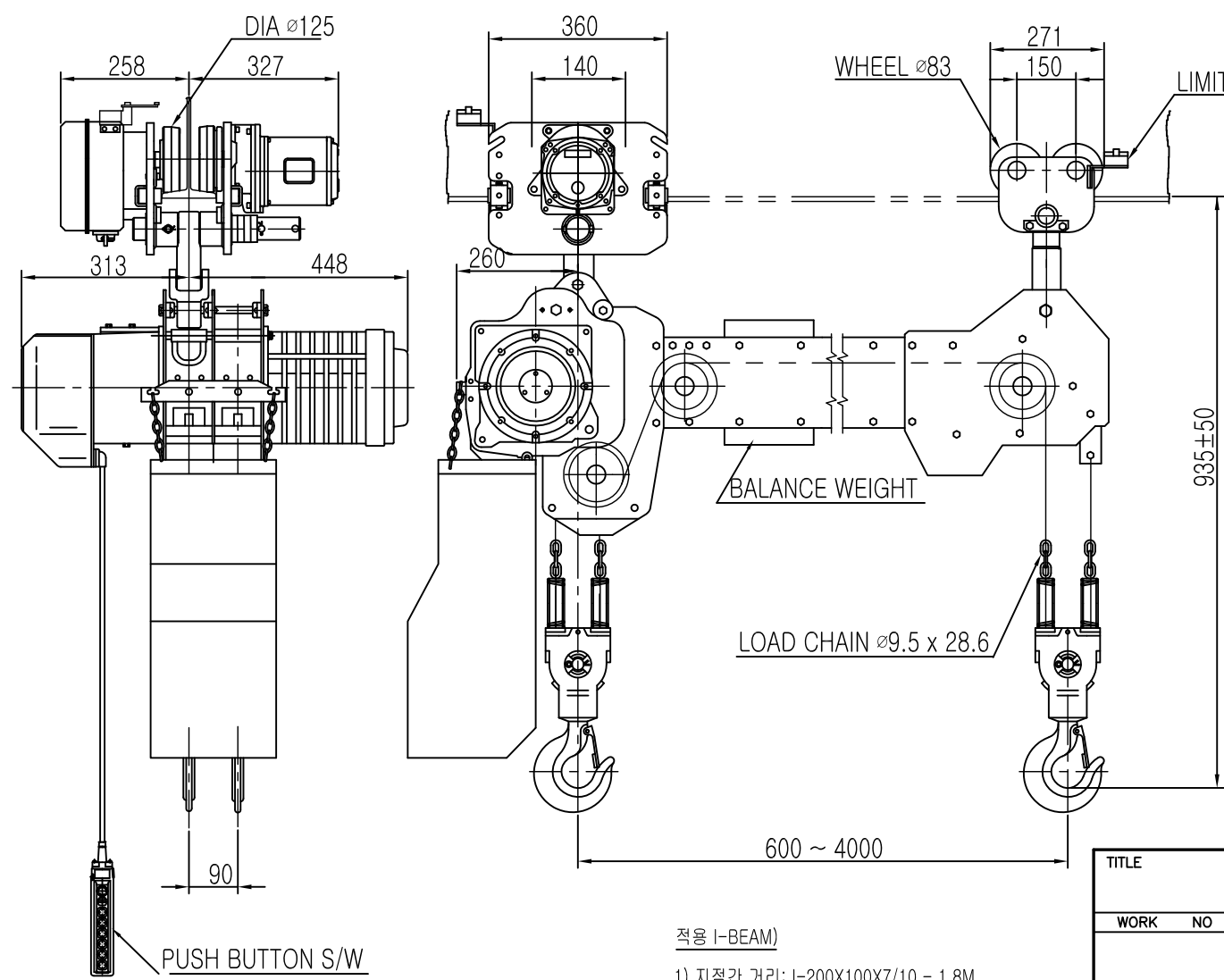


ON 9MD

L K HOIST

NO	DESCRIPTION	SIZE	MAT' L	Q' TY	WT (kg)	REMARKS



SPECIFICATION

		LK-DHDAM-3W		
RATED LOAD	(TON)	3.0		
TESTING LOAD	(TON)	3.75		
LIFTING HEIGHT	(M)	50		
HOISTING	SPEED (M/MIN)	5.15		
	MOTOR (KW)	3.5kw x 4p		
TRAVERSING	SPEED (M/MIN)	20	14	20/7
	MOTOR (KW)	0.75kw x 4p	0.4kw x 6p	0.75/0.25kw x 4/12p
POWER SUPPLY		AC220.380.440.460.480Vx3ø x 60 Hz		
OPERATING METHOD		P.B type ON . FL		
LOAD CHAIN		ø9.5 X 28.6 (2FALL)		
WEIGHT	(KG)	895		
I-BEAM 적용폭		100 ~ 190MM		

NOTE)

- 1)정검 설비를 갖출 것
- 2)인허가 서류를 완성검사시 제출 할 것

적용 I-BEAM)

- 1) 지점간 거리: I-200X100X7/10 - 1.8M
- 2) 지점간 거리 : I-250X125X7.5/12.5-3.5M
- 3) 지점간거리 : I-300X150X10/18.5-5.5M
- 4) 지점간거리 : I-450X175X13/26-10M
- 5) 지점간거리 : I-600X190X13/25-14M

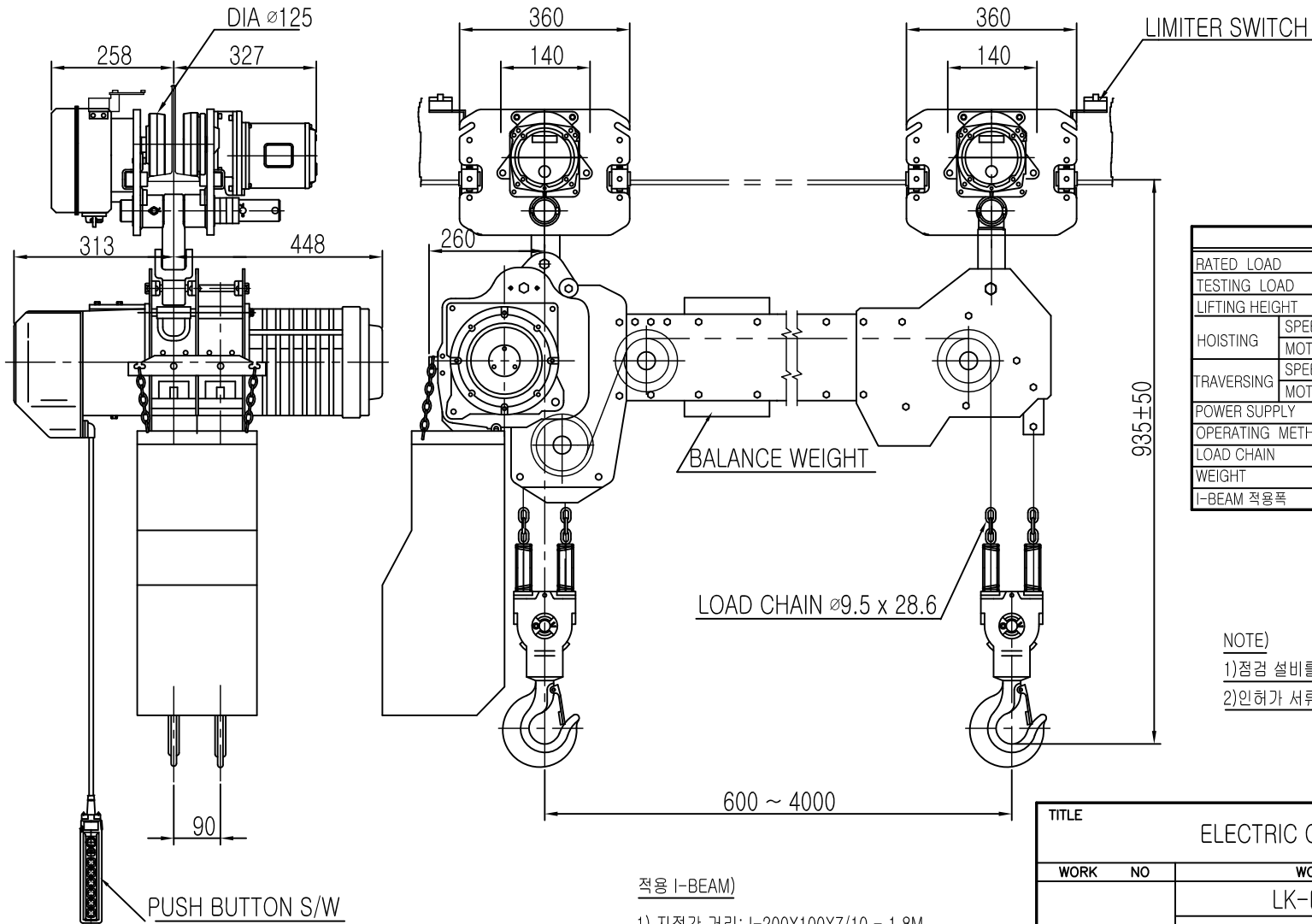
REV.NO	DATE	REVISION	DESCRIPTION	DRAWN	CHECKED	APPROVED

TITLE				PROJECTION	
ELECTRIC CHAIN HOIST					
WORK NO	WORK NAME			SCALE	Q' TY
	LK-DHDAM-3W			N/S	1
DRAWN	CHECKED	REVIEWED	APPROVED	DRAWING NO	CORD NO
김창기					
2010.08.01					

ON 9MD

L K HOIST

NO	DESCRIPTION	SIZE	MAT' L	Q' TY	WT (kg)	REMARKS



SPECIFICATION

		LK-DHDAM-3W		
RATED LOAD	(TON)	3.0		
TESTING LOAD	(TON)	3.75		
LIFTING HEIGHT	(M)	50		
HOISTING	SPEED (M/MIN)	5.15		
	MOTOR (KW)	3.5kw x 4p		
TRAVERSING	SPEED (M/MIN)	20	14	20/7
	MOTOR (KW)	0.75kwx4p-2set	0.4kwx6p-2set	0.75/0.25kwx4/12p-2set
POWER SUPPLY	AC220.380.440.460.480Vx3 ϕ x 60 Hz			
OPERATING METHOD	P.B type ON . FL			
LOAD CHAIN	$\varnothing 9.5 \times 28.6$ (2FALL)			
WEIGHT	(KG)	895		
I-BEAM 적용폭	100 ~ 190MM			

NOTE)

- 1) 점검 설비를 갖출 것
- 2) 인허가 서류를 완성검사시 제출 할 것

적용 I-BEAM)

- 1) 지점간 거리: I-200X100X7/10 - 1.8M
- 2) 지점간거리 : I-250X125X7.5/12.5-3.5M
- 3) 지점간거리 : I-300X150X10/18.5-5.5M
- 4) 지점간거리 : I-450X175X13/26-10M
- 5) 지점간거리 : I-600X190X13/25-14M

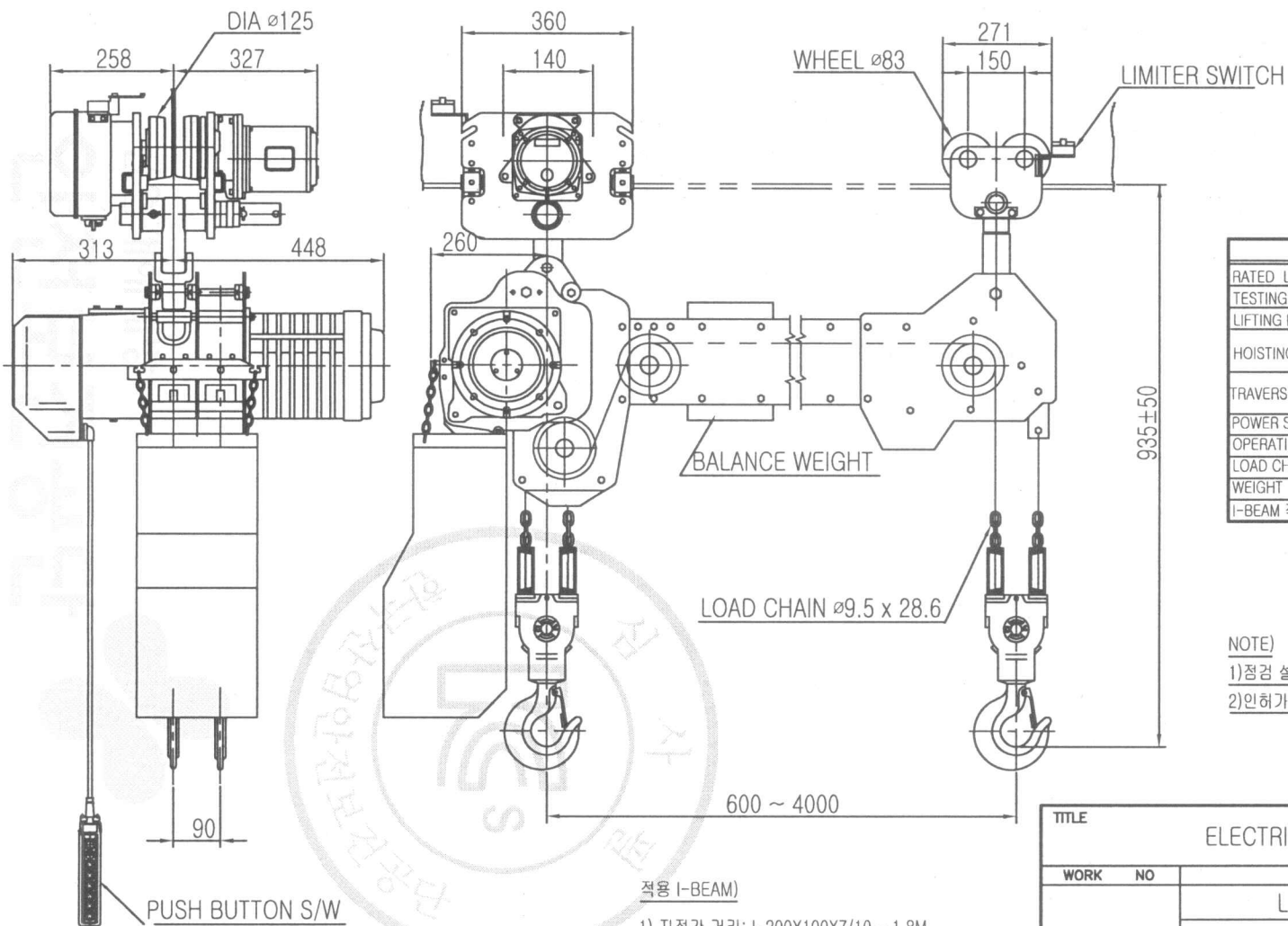
REV.NO	DATE	REVISION	DESCRIPTION	DRAWN	CHECKED	APPROVED

TITLE					PROJECTION	
ELECTRIC CHAIN HOIST						
WORK NO	WORK NAME				SCALE	Q' TY
	LK-DHDAM-3W				N/S	1
DRAWN	CHECKED	REVIEWED	APPROVED	DRAWING NO		
김 창 기						
2010.08.01				CORD NO		
L K HOIST CO., LTD.						

L K HOIST

ON 9MC

NO	DESCRIPTION	SIZE	MAT L	Q' TY	WT (kg)	REMARKS



SPECIFICATION

		LK-DHDAM-3W		
RATED LOAD (TON)		3.0		
TESTING LOAD (TON)		3.75		
LIFTING HEIGHT (M)		50		
HOISTING	SPEED (M/MIN)	5.15		
	MOTOR (KW)	3.5kw x 4p		
TRAVERSING	SPEED (M/MIN)	20	14	20/7
	MOTOR (KW)	0.75kw x 4p	0.4kw x 6p	0.75/0.25kw x 4/12p
POWER SUPPLY		AC220,380,440,460,480Vx3 ϕ x 60 Hz		
OPERATING METHOD		P.B type ON . FL		
LOAD CHAIN		$\varnothing 9.5 \times 28.6$ (2FALL)		
WEIGHT (KG)		895		
I-BEAM 적용폭		100 ~ 190MM		

NOTE)

- 1) 점검 설비를 갖출 것
- 2) 인허가 서류를 완성감사시 제출 할 것

적용 I-BEAM)

- 1) 지점간 거리: I-200X100X7/10 - 1.8M
- 2) 지점간 거리 : I-250X125X7.5/12.5-3.5M
- 3) 지점간거리 : I-300X150X10/18.5-5.5M
- 4) 지점간거리 : I-450X175X13/26-10M
- 5) 지점간거리 : I-600X190X13/25-14M

REV.NO	DATE	REVISION	DESCRIPTION	DRAWN	CHECKED	APPROVED

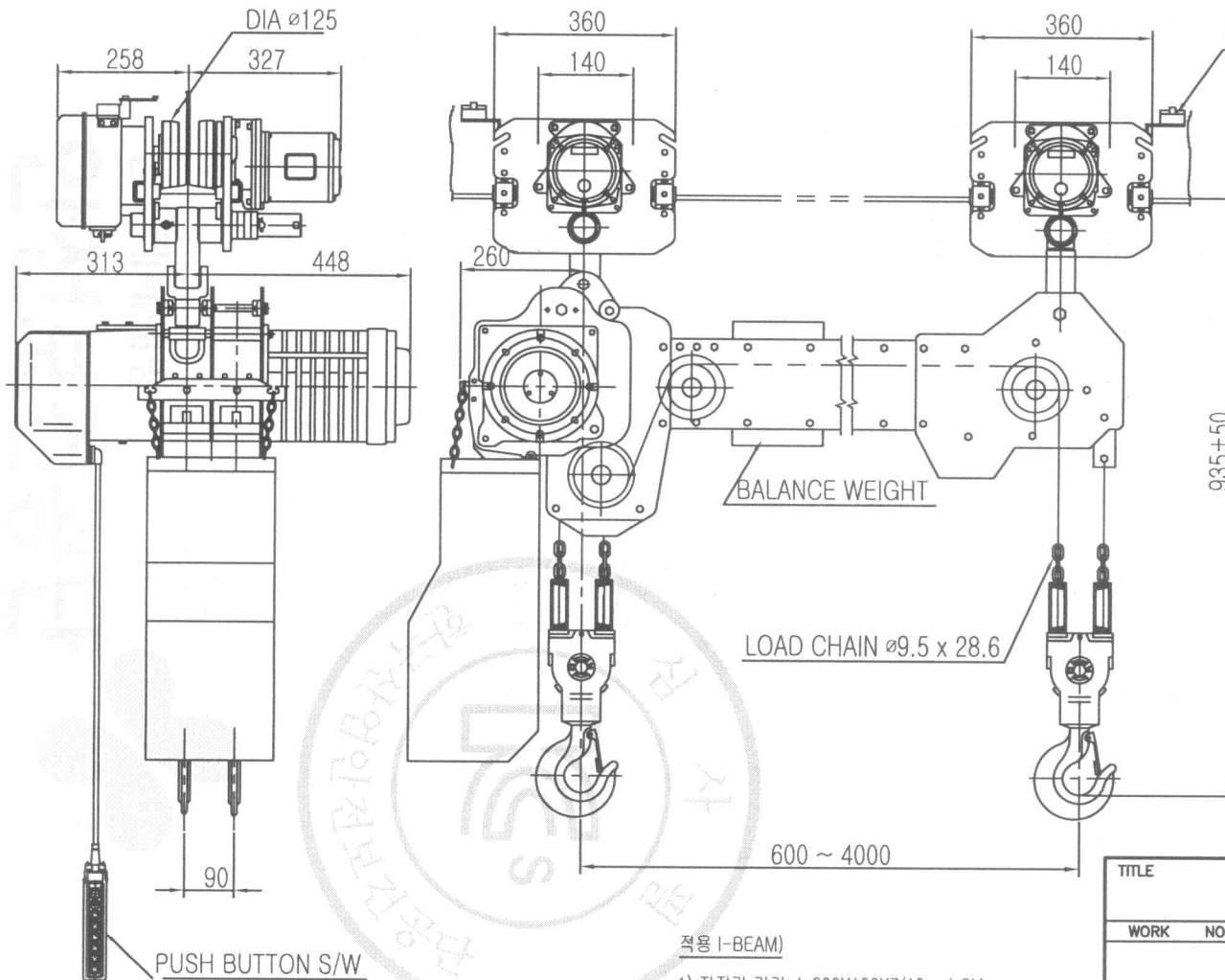
TITLE					PROJECTION	
ELECTRIC CHAIN HOIST						
WORK NO	WORK NAME				SCALE	Q' TY
	LK-DHDAM-3W				N/S	1
DRAWN	CHECKED	REVIEWED	APPROVED	DRAWING NO		
김창기				CORD NO		
2010.08.01						
L K HOIST CO., LTD.						

열번복제 및 배포금지

L K HOIST

ON 9MG

NO	DESCRIPTION	SIZE	MAT'L	Q'TY	WT (kg)	REMARKS



SPECIFICATION

		LK-DHDAM-3W		
RATED LOAD (TON)		3.0		
TESTING LOAD (TON)		3.75		
LIFTING HEIGHT (M)		50		
HOISTING	SPEED (M/MIN)	5.15		
	MOTOR (KW)	3.5kw x 4p		
TRAVERSING	SPEED (M/MIN)	20	14	20/7
	MOTOR (KW)	0.75kwx4p-2set	0.4kwx6p-2set	0.75/0.25kwx4/12p-2set
POWER SUPPLY		AC220,380,440,460,480Vx3ø x 60 Hz		
OPERATING METHOD		P.B type ON . FL		
LOAD CHAIN		ø9.5 X 28.6 (2FALL)		
WEIGHT (KG)		895		
I-BEAM 적용폭		100 ~ 190MM		

NOTE)

- 1)정검 설비를 갖추실 것
- 2)인허가 서류를 완성검사시 제출 할 것

적용 I-BEAM)

- 1) 지정간 거리: I-200X100X7/10 - 1.8M
- 2) 지정간거리 : I-250X125X7.5/12.5-3.5M
- 3) 지정간거리 : I-300X150X10/18.5-5.5M
- 4) 지정간거리 : I-450X175X13/26-10M
- 5) 지정간거리 : I-600X190X13/25-14M

REV.NO	DATE	REVISION	DESCRIPTION	DRAWN	CHECKED	APPROVED

TITLE				PROJECTION	
ELECTRIC CHAIN HOIST					
WORK NO	WORK NAME			SCALE	Q'TY
	LK-DHDAM-3W			N/S	1
DRAWN	CHECKED	REVIEWED	APPROVED	DRAWING NO	
김창기				CORD NO	
2010.08.01					
L K HOIST CO., LTD.					

물범복제 및 배포금지