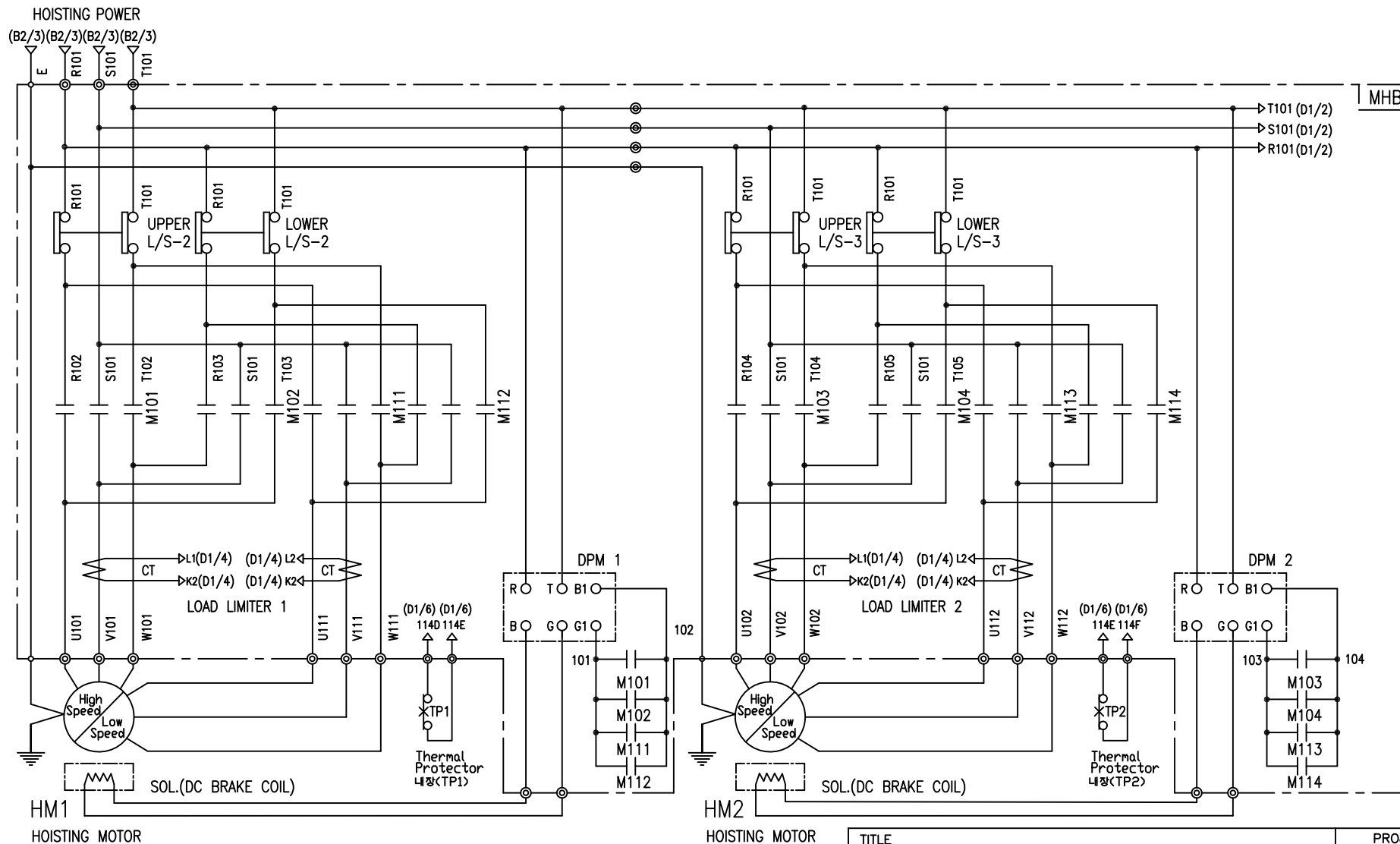


HOIST POWER CIRCUIT

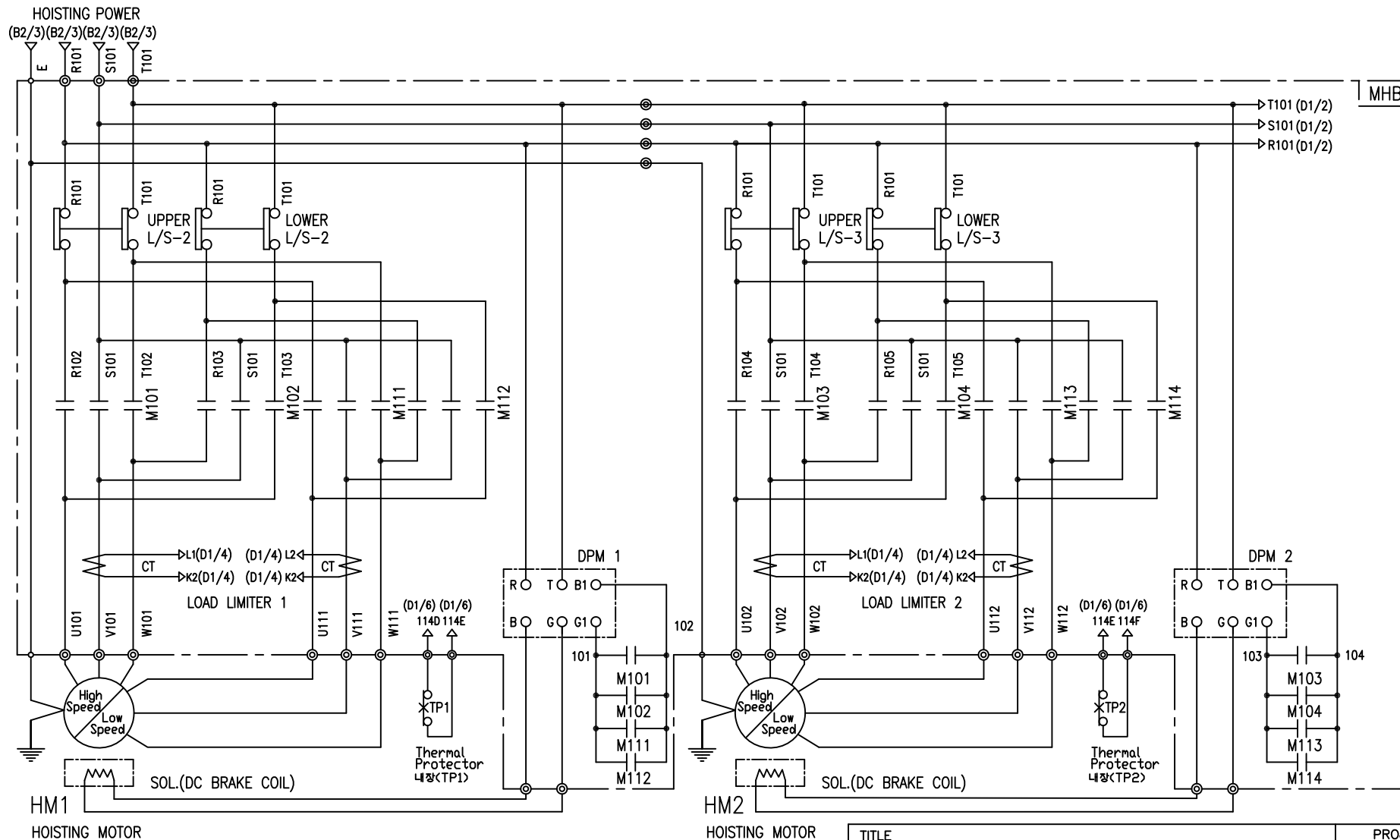


MHB

SPECIFICATION	MAGNET CONTACT	SILICON RECTIFIER	Thermal Protector	HOIST MOTOR
SYMBOLS	M101, M102, M103, M104 M111, M112, M113, M114	DPM1, DPM2	TP1, TP2	HM1, HM2
DESCRIPTION	GMC32 DMC32b	DC99V	17AM032	4.4Kw * 2P/2.2Kw * 6P (2SET)
MAKER	LS DONGA	LK	Texas Instruments	LK

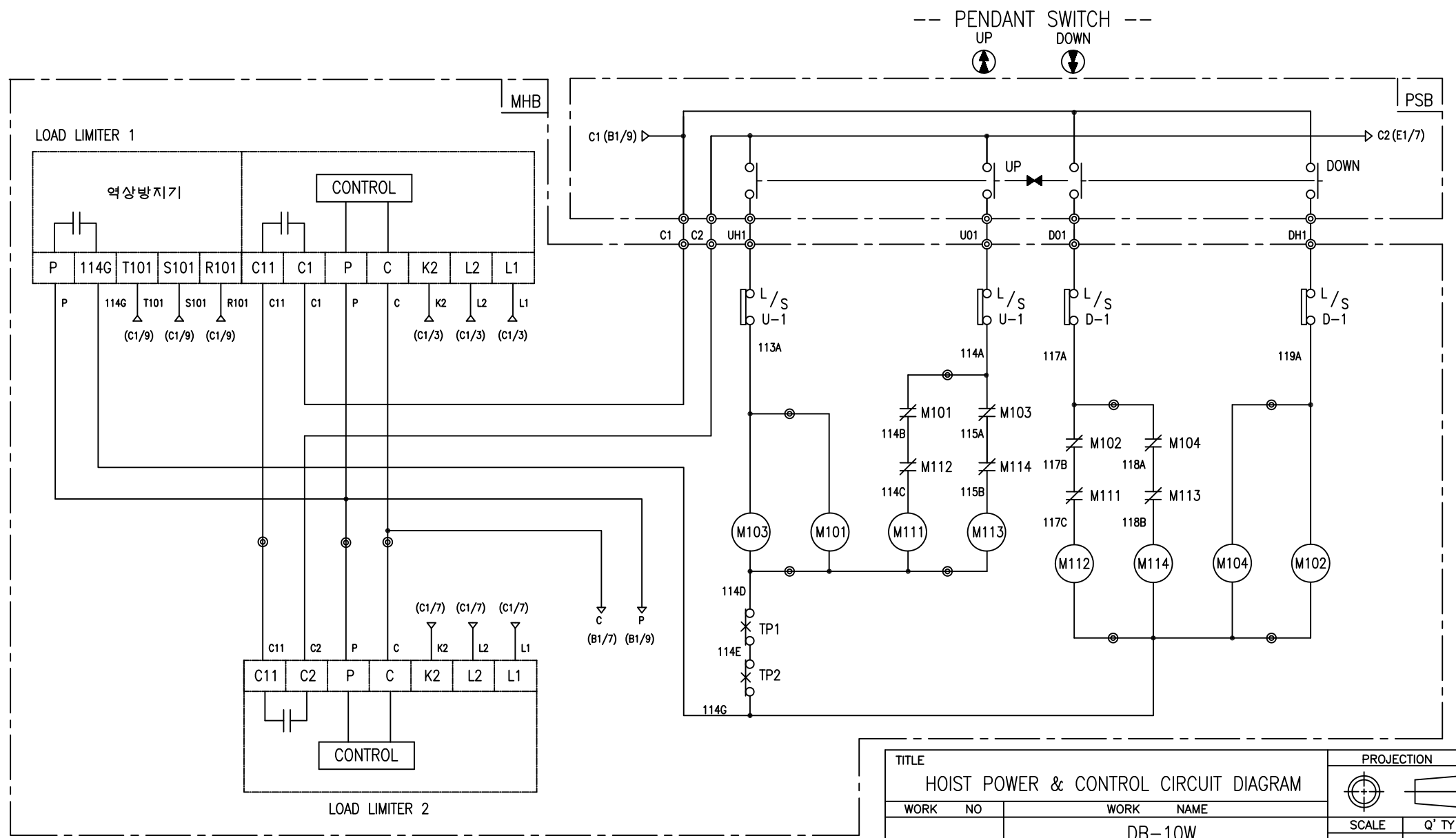
TITLE						PROJECTION	
HOIST POWER & CONTROL CIRCUIT DIAGRAM							
WORK NO		WORK NAME				SCALE	
602		DB-10W				Q' TY	
		220V				1/1 1	
DRAWN	CHECKED	REVIEWED	APPROVED	MODEL	DB10W		
LEE.G.H				CODE NO			
2010.07.30							
L K HOIST CO., LTD.							

HOIST POWER CIRCUIT



SPECIFICATION	MAGNET CONTACT		SILICON RECTIFIER				Thermal Protector	HOIST MOTOR
SYMBOLS	M101, M102, M103, M104 M111, M112, M113, M114		DPM1, DPM2				TP1, TP2	HM1, HM2
DESCRIPTION	GMC22	DMC22b	AC380V DC171V	AC440V DC198V	AC460V DC207V	AC480V DC216V	17AM032	4.4Kw * 2P/2.2Kw * 6P (2SET)
MAKER	LS	DONGA	LK				Texas Instruments	LK

TITLE						PROJECTION	
HOIST POWER & CONTROL CIRCUIT DIAGRAM							
WORK NO		WORK NAME				SCALE	Q' TY
603		DB-10W				1/1	1
380V, 440V, 460V, 480V		DRAWN		CHECKED	REVIEWED	APPROVED	MODEL
2004.08.30		LEE.G.H					DB10W
						CODE NO	
L K HOIST CO., LTD.							



-NOTE-
1. : Mechanical Interlock

SPECIFICATION	LOAD LIMITER 1	LOAD LIMITER 2
SYMBOLS	-	-
DESCRIPTION	LKDL-601	LKDL-501
MAKER	LK	

TITLE				PROJECTION	
HOIST POWER & CONTROL CIRCUIT DIAGRAM					
WORK NO.	WORK NAME			SCALE	Q' TY
604	DB-10W			1/1	1
220V, 380V, 440V, 460V, 480V					
DRAWN	CHECKED	REVIEWED	APPROVED	MODEL	DB10W
LEE.G.H				CODE NO	
2010.07.30					

SCHEDULE OF TECHNICAL DATA

1. SERVICE	HOISTING
2. MANUFACTURE	LK HOIST CO. LTD
3. MOTOR MODEL NO	4.4/2.2 - 2/6 - 46
4. RATED POWER	4.4/2.2 KW × 2/6 P
5. RATED VOLTAGE AND FREQUENCY	460 V 60HZ
6. MOTOR TYPE	SQUIRREL CAGE ROTOR TYPE
7. RATING	30 MIN
8. LOCATION	OUTDOOR
9. INSULATION CLASS	B
10. DESIGN TEMPERATURE RISE (BY RESISTANCE)	80℃
11. FULL LOAD SPEED	3440/1140 RPM
12. FULL LOAD CURRENT	11/5.3 A
13. STARTING CURRENT AT RATED VOLTAGE	54/28 A
14. MINIMUM STARTING VOLTAGE	414 V
15. EFFICIENCY AT 100% RATED LOAD	73/73 %
16. POWER FACTOR AT 100% RATED LOAD	71/71 %
17. STARTING TORQUE	243 %
18. TYPE OF ENCLOSURE	전폐형
19. TYPE OF BEARING	PL : 6205DD OPL : 6008ZZ
20. MOUNTING	VERTICAL
21. MAXIMUM AMBIENT TEMPURE	40℃
22. BEARING LUBRICATION	GREASE
23. STARTING METHOD	FULL VOLTAGE