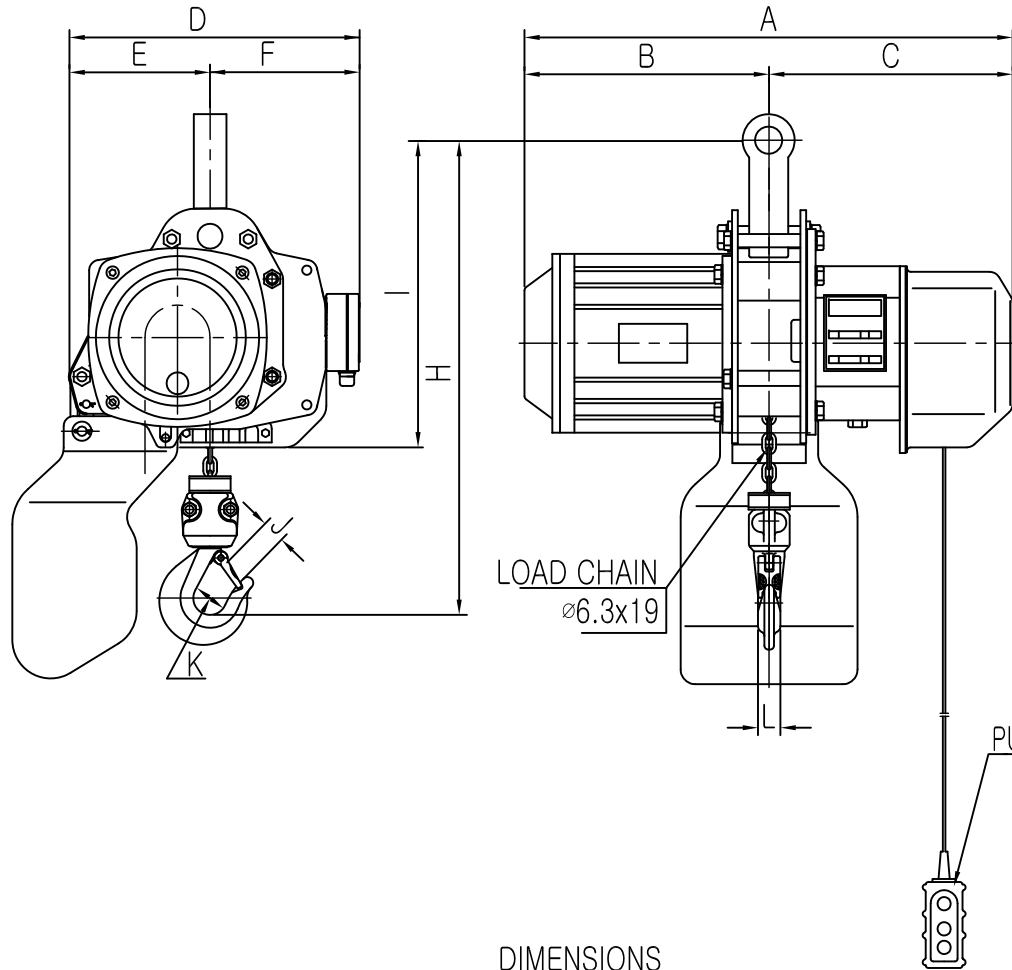


ON OMD

L K HOIST

NO	DESCRIPTION	SIZE	MAT' L	Q' TY	WT (kg)	REMARKS



제조일 : 0000-00-00
 형식번호 : 00-000-00
 정격하중 : 00-000-00
 제조자 : (주)LK

SPECIFICATION

		LT-0.5S
RATED LOAD	(TON)	0.5
TESTING LOAD	(TON)	0.625
LIFTING HEIGHT	(M)	50
HOISTING	SPEED (M/MIN)	8
	MOTOR (KW)	0.8 x 4p
WEIGHT	(KG)	90
POWER SUPPLY		AC220.380.440.460,480V x3ø x 60 Hz
OPERATING METHOD		P.B type ON . FL
LOAD CHAIN		ø6.3 X 19(1FALL)

DIMENSIONS

MODEL	CAPACITY (ton)	A	B	C	D	E	F	H	I	J	K	L
LT-0.5S	0.5	525	252	273	336	145	191	410	326	25	35	24

NOTE)

- 1) 점검 설비를 갖출 것
- 2) 인허가 서류를 완성검사시 제출 할 것

TITLE					PROJECTION	
CHAIN HOIST LT-0.5S						
WORK NO	WORK NAME				SCALE	Q' TY
	CONNECTOR TYPE				N S	1
DRAWN	CHECKED	REVIEWED	APPROVED	DRAWING NO		
김 창 기						
2010.07.15						

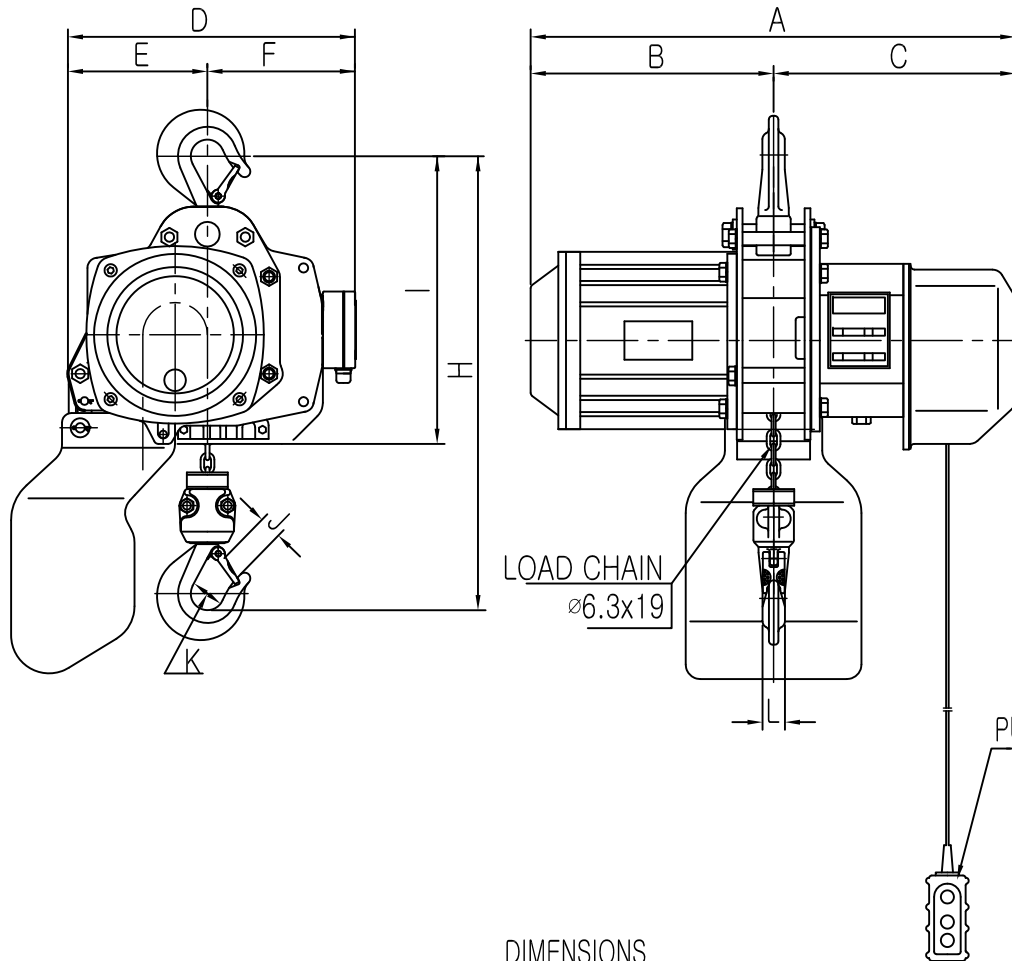
REV.NO	DATE	REVISION	DESCRIPTION	DRAWN	CHECKED	APPROVED

ON 9MD

L K HOIST

NO	DESCRIPTION	SIZE	MAT' L	Q' TY	WT (kg)	REMARKS

제조일 : 0000-00-00
 형식번호 : 00-000-00
 정격하중 : 00-000-00
 제조자 : (주)LK



SPECIFICATION

		LT-0.5S
RATED LOAD	(TON)	0.5
TESTING LOAD	(TON)	0.625
LIFTING HEIGHT	(M)	50
HOISTING	SPEED (M/MIN)	8
	MOTOR (KW)	0.8 x 4p
WEIGHT	(KG)	90
POWER SUPPLY	AC220.380.440.460.480V x3ø x 60 Hz	
OPERATING METHOD	P.B type ON . FL	
LOAD CHAIN	ø6.3 X 19 (1FALL)	

NOTE)

- 1)점검 설비를 갖출 것
- 2)인허가 서류를 완성검사시 제출 할 것

DIMENSIONS

MODEL	CAPACITY (ton)	A	B	C	D	E	F	H	I	J	K	L
LT-0.5S	0.5	525	252	273	336	145	191	410	326	25	35	24

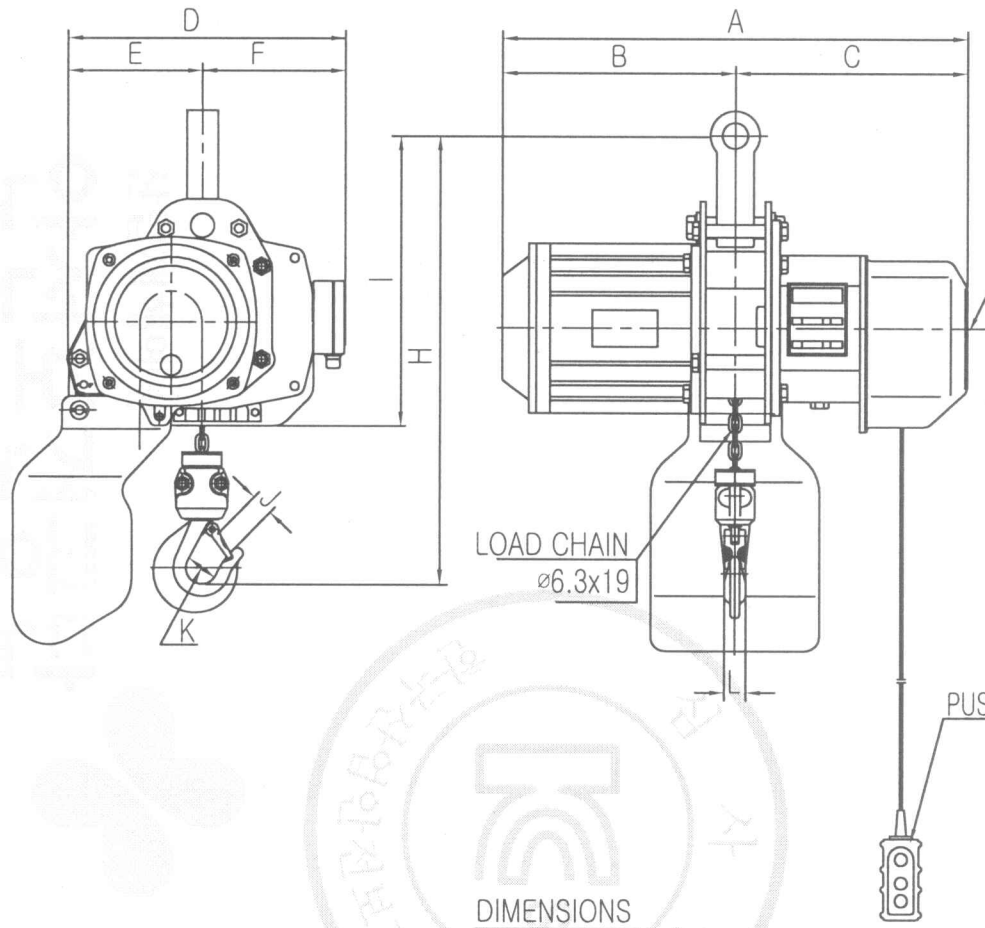
TITLE				PROJECTION	
CHAIN HOIST LT-0.5S					
WORK NO	WORK NAME			SCALE	Q' TY
HOOK TYPE				N	S 1
DRAWN	CHECKED	REVIEWED	APPROVED	DRAWING NO	
김 창 기					
2010.07.15					

REV.NO	DATE	REVISION	DESCRIPTION	DRAWN	CHECKED	APPROVED

ON GMD

L K HOIST

NO	DESCRIPTION	SIZE	MAT L	Q' TY	WT (kg)	REMARKS



제조일 : 0000-00-00
 형식번호 : 00-000-00
 정격하중 : 00-000-00
 제조자 : (주)LK

SPECIFICATION

		LT-0.5S
RATED LOAD	(TON)	0.5
TESTING LOAD	(TON)	0.625
LIFTING HEIGHT	(M)	50
HOISTING	SPEED (M/MIN)	8
	MOTOR (KW)	0.8 x 4p
WEIGHT	(KG)	90
POWER SUPPLY	AC220.380.440.460,480V x3ø x 60 Hz	
OPERATING METHOD	P.B type ON . FL	
LOAD CHAIN	ø6.3 X 19(1FALL)	

PUSH BUTTON 2POINT

NOTE)

- 1)점검 설비를 갖출 것
- 2)인허가 서류를 완성검사시 제출 할 것

DIMENSIONS

MODEL	CAPACITY (ton)	A	B	C	D	E	F	H	I	J	K	L
LT-0.5S	0.5	525	252	273	336	145	191	410	326	25	35	24

TITLE					PROJECTION	
CHAIN HOIST LT-0.5S						
WORK NO	WORK NAME				SCALE	Q' TY
	CONNECTOR TYPE				N S	1
DRAWN	CHECKED	REVIEWED	APPROVED	DRAWING NO		
김창기						
2010.07.15						

REV.NO	DATE	REVISION	DESCRIPTION	DRAWN	CHECKED	APPROVED

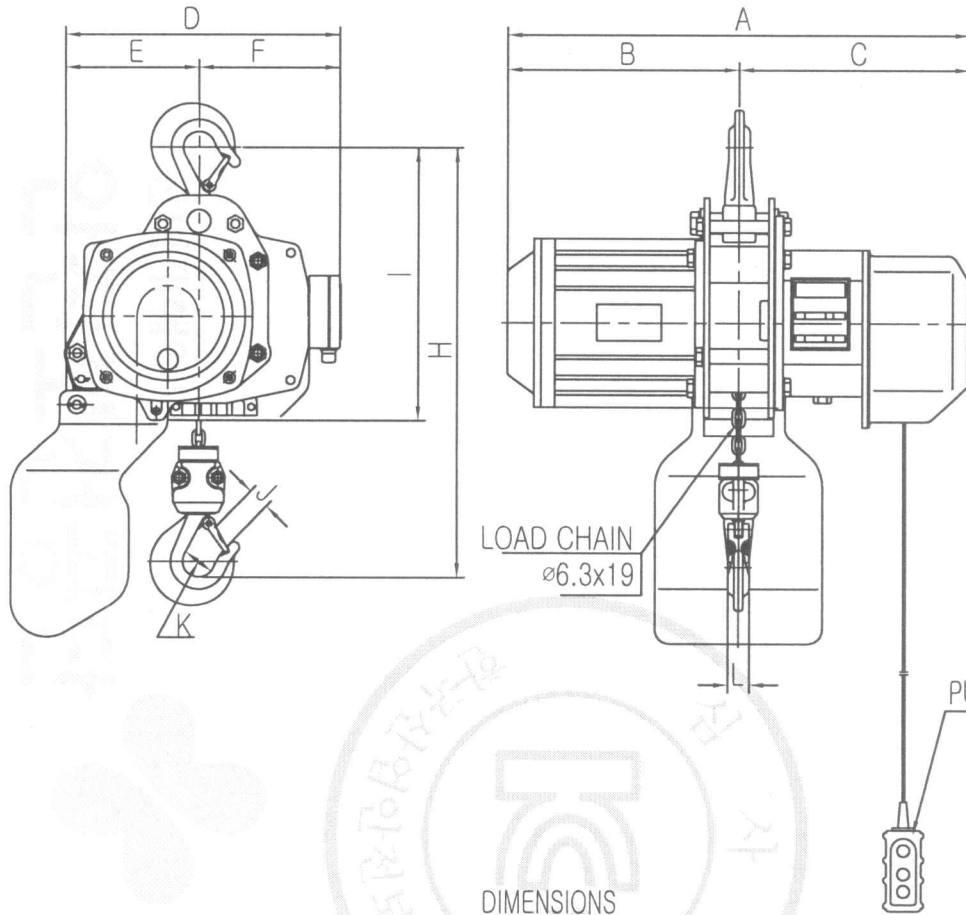
물범복제 및 배포금지

ON 9MD

L K HOIST

NO	DESCRIPTION	SIZE	MAT' L	Q' TY	WT (kg)	REMARKS

제조일 : 0000-00-00
 형식번호 : 00-000-00
 정격하중 : 00-000-00
 제조자 : (주)LK



SPECIFICATION

		LT-0.5S
RATED LOAD	(TON)	0.5
TESTING LOAD	(TON)	0.625
LIFTING HEIGHT	(M)	50
HOISTING	SPEED (M/MIN)	8
	MOTOR (KW)	0.8 x 4p
WEIGHT	(KG)	90
POWER SUPPLY	AC220.380.440.460,480V x3ø x 60 Hz	
OPERATING METHOD	P.B type ON . FL	
LOAD CHAIN	ø6.3 X 19 (1FALL)	

NOTE)

- 1)점검 설비를 갖출 것
- 2)인허가 서류를 완성검사시 제출 할 것

DIMENSIONS

MODEL	CAPACITY (ton)	A	B	C	D	E	F	H	I	J	K	L
LT-0.5S	0.5	525	252	273	336	145	191	410	326	25	35	24

TITLE					PROJECTION	
CHAIN HOIST LT-0.5S						
WORK NO	WORK NAME				SCALE	Q' TY
	HOOK TYPE				N S	1
DRAWN	CHECKED	REVIEWED	APPROVED	DRAWING NO		
김창기						
2010.07.15						

REV.NO	DATE	REVISION	DESCRIPTION	DRAWN	CHECKED	APPROVED

물범복제 및 배포금지