

TRAVELLING POWER  
SUPPLY SYSTEM  
TB1(Trolley Bar  
or Festoon Type)



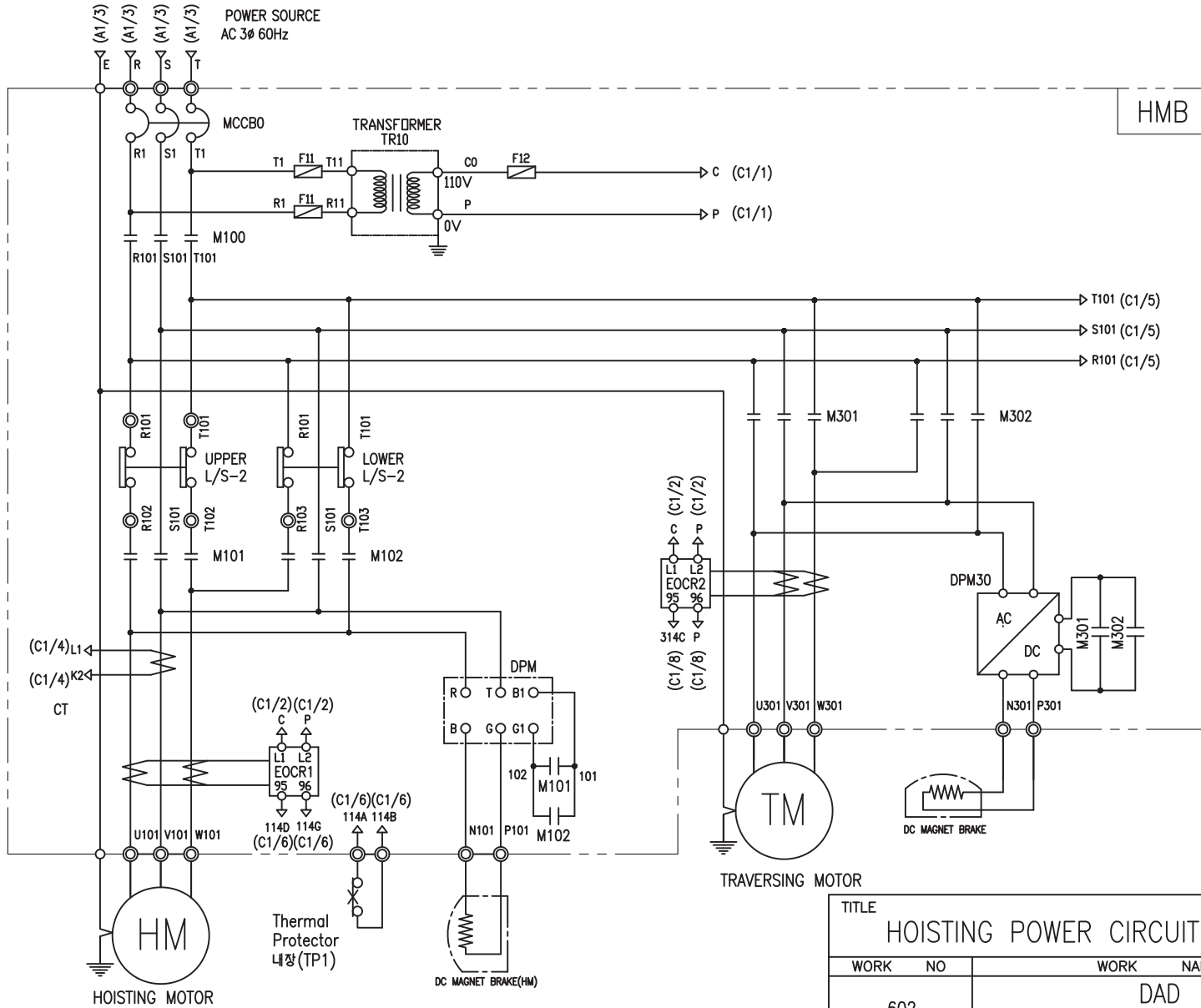
(B1/3) (B1/3) (B1/3) (B1/3)  
(B2/3) (B2/3) (B2/3) (B2/3)  
HOISTING & TRAVERSING  
POWER

MAIN POWER SOURCE  
AC 3Ø60Hz 220V, 380V, 440V, 460V, 480V

-NOTE-

- 1. - - - - MARKED OWNER SCOPE
- 2. ———— MARKED CRANE MAKER SCOPE

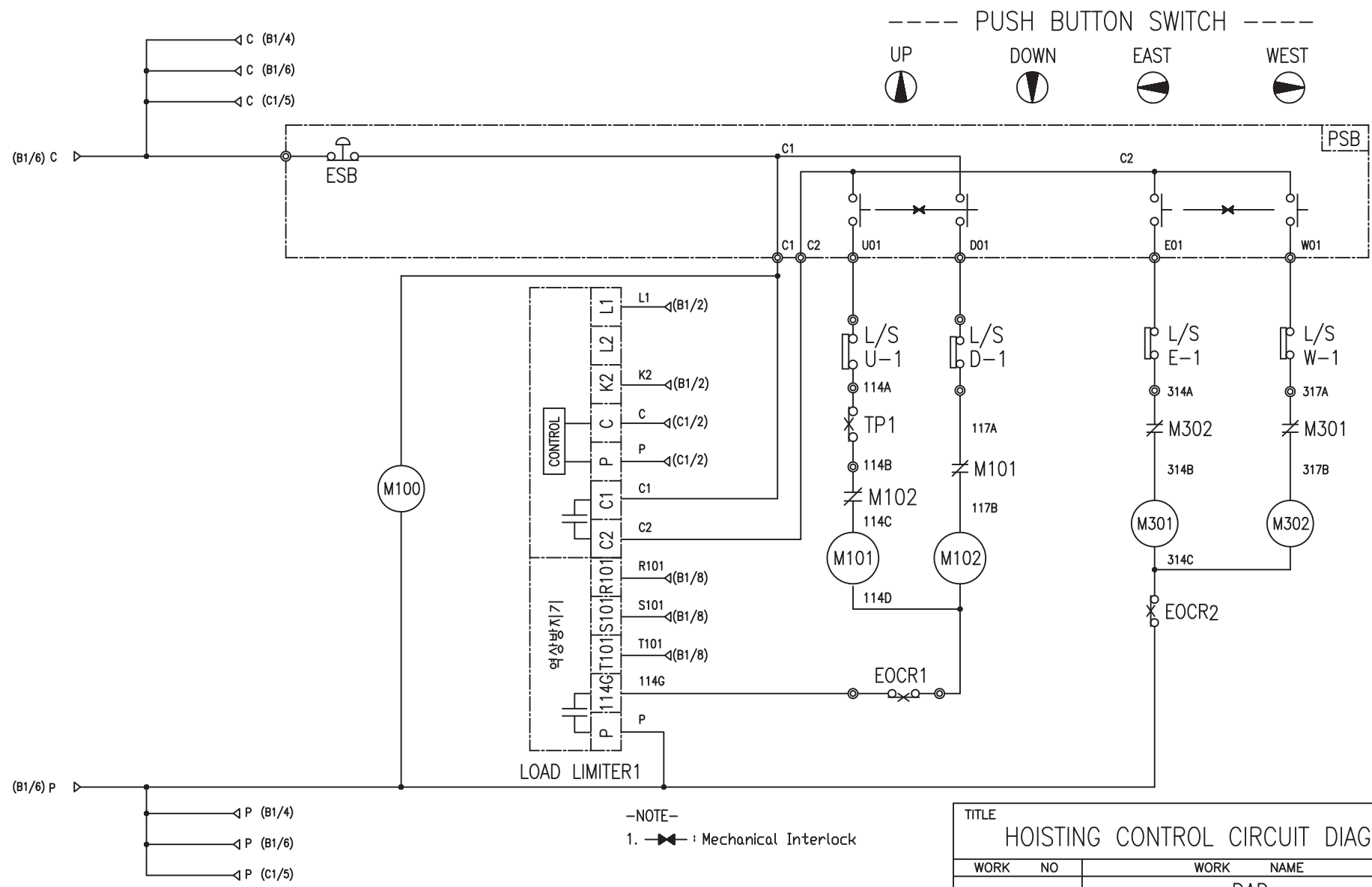
TITLE MAIN POWER CIRCUIT DIAGRAM1				PROJECTION 	
WORK NO 601	WORK NAME DAD			SCALE 1/1	Q' TY 1
220V, 380V, 440V, 460V, 480V					
DRAWN LEE.G.H 2010.08.06	CHECKED	REVIEWED	APPROVED	MODEL	
				CODE NO	
L K HOIST CO., LTD.					



HMB

TITLE HOISTING POWER CIRCUIT DIAGRAM				PROJECTION 	
WORK NO 602		WORK NAME DAD			
		220V, 440V, 460V, 480V			
DRAWN LEE.G.H	CHECKED	REVIEWED	APPROVED	MODEL	
2010.08.06				CODE NO	CODE_NO
L K HOIST CO., LTD.					

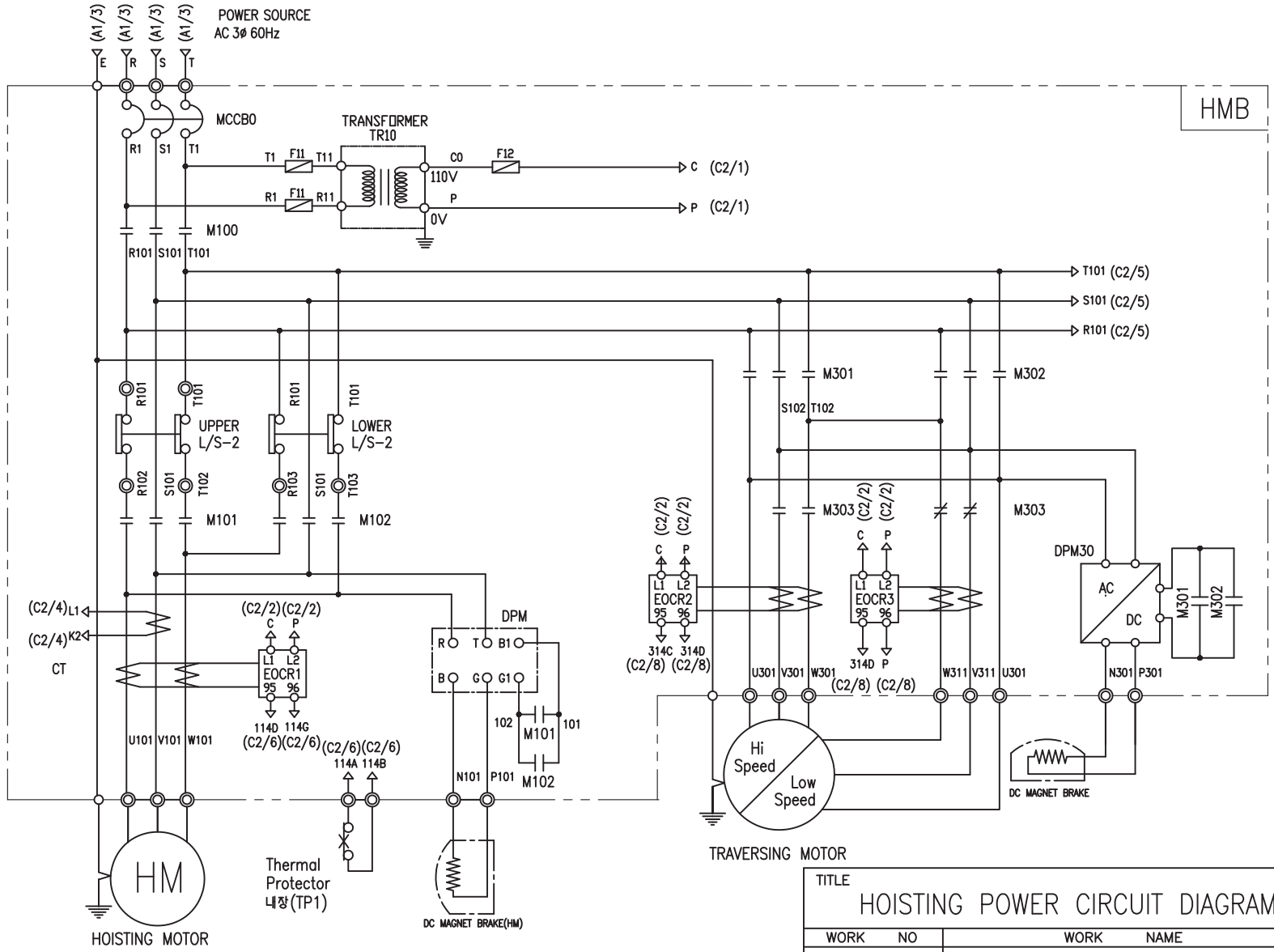
SPECIFICATION	NO FUSE BREAKER	MAGNET CONTACTOR	TRANSFORMER	SILICON RECTIFIER	과전류계전기	FUSE	HOISTING MOTOR	TRAVERSING MOTOR
SYMBOLS	MCCB0	M100, M101, M102	TR10	DPM, DPM30	EOCR1 EOCR2	F11 F12	HM	TM
DESCRIPTION	220V 40A 440V 20A 460V 20A 480V 20A	DMC22	60 VA	AC220V AC440V AC460V AC480V DC99V DC198V DC207V DC216V	SS-30 SS-06	1A 2A	3.5Kw x 4P	0.75Kw * 4P 0.5Kw * 6P
MAKER	LS	DONGA	YOUNG DONG	LK	SAMWHA	-	LK	LK



-NOTE-  
1. —X— : Mechanical Interlock

SPECIFICATION	LOAD LIMITER
SYMBOLS	LKDL601
DESCRIPTION	1A - 50A
MAKER	LK

TITLE HOISTING CONTROL CIRCUIT DIAGRAM				PROJECTION 	
WORK NO. 604	WORK NAME DAD			SCALE	Q' TY
220V, 380V, 440V, 460V, 480V					
DRAWN LEE.G.H	CHECKED	REVIEWED	APPROVED	MODEL	
2010.08.06				CODE NO	CODE_NO
L K HOIST CO., LTD.					



TITLE <b>HOISTING POWER CIRCUIT DIAGRAM</b>							PROJECTION 	
WORK NO 605			WORK NAME DAD				SCALE Q' TY	
220V, 440V, 460V, 480V								
DRAWN LEE.G.H		CHECKED		REVIEWED		APPROVED		
2010.08.06						MODEL CODE NO CODE_NO		
<b>L K HOIST CO., LTD.</b>								

SPECIFICATION	NO FUSE BREAKER	MAGNET CONTACTOR		TRANSFORMER	SILICON RECTIFIER				과전류계전기		FUSE		HOISTING MOTOR	TRAVERSING MOTOR
SYMBOLS	MCCB0	M100, M101, M102	M301, M302	TR10	DPM, DPM30				EOCR1	EOCR2	F11	F12	HM	TM
DESCRIPTION	220V	30A	DMC22	60 VA	AC220V	AC440V	AC460V	AC480V	SS-30	SS-06	1A	2A	3.5Kw x 4P	0.75Kw * 4P /0.25Kw * 6P
	440V	30A			DC99V	DC198V	DC207V	DC216V						
	460V	30A												
	480V	30A												
MAKER	LS	DONGA		YOUNG DONG	LK				SAMWHA		-	LK	LK	



-NOTE-  
1. —X— : Mechanical Interlock

SPECIFICATION	LOAD LIMITER
SYMBOLS	LKDL601
DESCRIPTION	1A - 50A
MAKER	LK

TITLE HOISTING CONTROL CIRCUIT DIAGRAM				PROJECTION 	
WORK NO	WORK NAME			SCALE	Q' TY
607	DAD				
220V, 380V, 440V, 460V, 480V					
DRAWN	CHECKED	REVIEWED	APPROVED	MODEL	
LEE.G.H				CODE NO	CODE_NO
2010.08.06					
L K HOIST CO., LTD.					

## SCHEDULE OF TECHNICAL DATA

1. SERVICE	HOISTING
2. MANUFACTURE	LK HOIST CO. LTD
3. MOTOR MODEL NO	3.5 - 4 - 46
4. RATED POWER	3.5 KW × 4 P
5. RATED VOLTAGE AND FREQUENCY	460 V      60HZ
6. MOTOR TYPE	SQUIRREL CAGE ROTOR TYPE
7. RATING	30 MIN
8. LOCATION	IN-DOOR , OUTDOOR
9. INSULATION CLASS	B
10. DESIGN TEMPERATURE RISE (BY RESISTANCE)	80℃
11. FULL LOAD SPEED	1740 RPM
12. FULL LOAD CURRENT	8.2 A
13. STARTING CURRENT AT RATED VOLTAGE	39.6 A
14. MINIMUM STARTING VOLTAGE	414 V
15. EFFICIENCY AT 100% RATED LOAD	73.4 %
16. POWER FACTOR AT 100% RATED LOAD	73.0 %
17. STARTING TORQUE	245 %
18. TYPE OF ENCLOSURE	전폐형(IP-54)
19. TYPE OF BEARING	PL : 6205DD    OPL : 6008ZZ
20. MOUNTING	VERTICAL
21. MAXIMUM AMBIENT TEMPURE	40℃
22. BEARING LUBRICATION	GREASE
23. STARTING METHOD	FULL VOLTAGE

## SCHEDULE OF TECHNICAL DATA

1. SERVICE	TRAVERSING
2. MANUFACTURE	LK HOIST CO. LTD
3. MOTOR MODEL NO	0.75 - 4 - 46
4. RATED POWER	0.75 KW × 4 P
5. RATED VOLTAGE AND FREQUENCY	460 V      60HZ
6. MOTOR TYPE	SQUIRREL CAGE ROTOR TYPE
7. RATING	15 MIN
8. LOCATION	OUTDOOR
9. INSULATION CLASS	B
10. DESIGN TEMPERATURE RISE (BY RESISTANCE)	100℃
11. FULL LOAD SPEED	1710 RPM
12. FULL LOAD CURRENT	2.3 A
13. STARTING CURRENT AT RATED VOLTAGE	12.6 A
14. MINIMUM STARTING VOLTAGE	414 V
15. EFFICIENCY AT 100% RATED LOAD	65 %
16. POWER FACTOR AT 100% RATED LOAD	63 %
17. STARTING TORQUE	250 %
18. TYPE OF ENCLOSURE	전폐형
19. TYPE OF BEARING	PL : 6008DD    OPL : 6207ZZ
20. MOUNTING	VERTICAL
21. MAXIMUM AMBIENT TEMPURE	40℃
22. BEARING LUBRICATION	GREASE
23. STARTING METHOD	FULL VOLTAGE

## SCHEDULE OF TECHNICAL DATA

1. SERVICE	TRAVERSING
2. MANUFACTURE	LK HOIST CO. LTD
3. MOTOR MODEL NO	0.5 - 6 - 46
4. RATED POWER	0.5 KW × 6 P
5. RATED VOLTAGE AND FREQUENCY	460 V      60HZ
6. ROTOR TYPE	SQUIRREL CAGE ROTOR TYPE
7. RATING	15 MIN
8. LOCATION	OUTDOOR
9. INSULATION CLASS	B
10. DESIGN TEMPERATURE RISE (BY RESISTANCE)	100℃
11. FULL LOAD SPEED	1140 RPM
12. FULL LOAD CURRENT	1.53 A
13. STARTING CURRENT AT RATED VOLTAGE	8.4 A
14. MINIMUM STARTING VOLTAGE	414 V
15. EFFICIENCY AT 100% RATED LOAD	65 %
16. POWER FACTOR AT 100% RATED LOAD	63 %
17. STARTING TORQUE	249 %
18. TYPE OF ENCLOSURE	전폐형
19. TYPE OF BEARING	PL : 6008DD    OPL : 6207ZZ
20. MOUNTING	VERTICAL
21. MAXIMUM AMBIENT TEMPERATURE	40℃
22. BEARING LUBRICATION	GREASE
23. STARTING METHOD	FULL VOLTAGE

## SCHEDULE OF TECHNICAL DATA

1. SERVICE	TRAVERSING
2. MANUFACTURE	LK HOIST CO. LTD
3. MOTOR MODEL NO	0.75/0.25 - 4/12 - 46
4. RATED POWER	0.75/0.25 KW × 4/12 P
5. RATED VOLTAGE AND FREQUENCY	460 V      60HZ
6. MOTOR TYPE	SQUIRREL CAGE ROTOR TYPE
7. RATING	15 MIN
8. LOCATION	OUTDOOR
9. INSULATION CLASS	B
10. DESIGN TEMPERATURE RISE (BY RESISTANCE)	100℃
11. FULL LOAD SPEED	1710 / 550 RPM
12. FULL LOAD CURRENT	2.3 / 1.44 A
13. STARTING CURRENT AT RATED VOLTAGE	12.7 / 7.92 A
14. MINIMUM STARTING VOLTAGE	414 V
15. EFFICIENCY AT 100% RATED LOAD	65 / 48 %
16. POWER FACTOR AT 100% RATED LOAD	63 / 45 %
17. STARTING TORQUE	250 / 243 %
18. TYPE OF ENCLOSURE	전폐형
19. TYPE OF BEARING	PL : 6008DD    OPL : 6207ZZ
20. MOUNTING	VERTICAL
21. MAXIMUM AMBIENT TEMPURE	40℃
22. BEARING LUBRICATION	GREASE
23. STARTING METHOD	FULL VOLTAGE