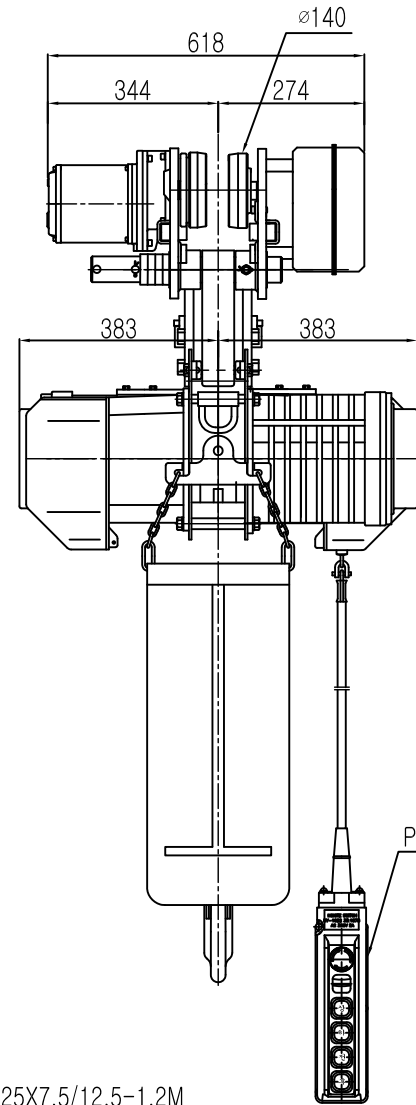
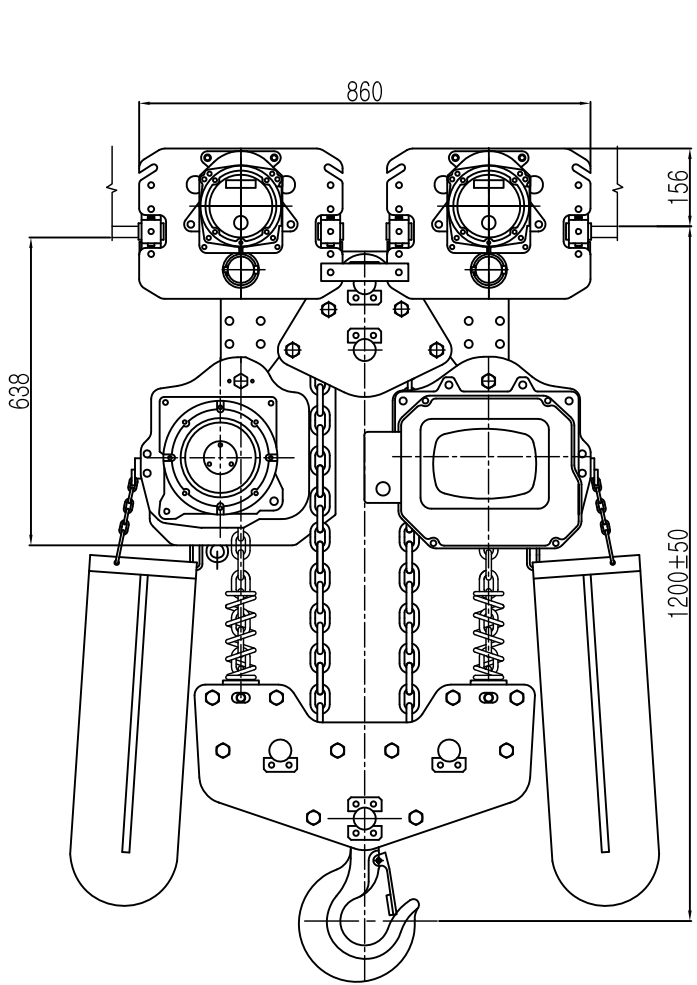


ELEPHANT

ON DRAWING

NO	DESCRIPTION	SIZE	MAT'L	Q'TY	WT (kg)	REMARKS
----	-------------	------	-------	------	---------	---------



SPECIFICATION

		LK-DBM-10W		
RATED LOAD	(TON)	10		
TESTING LOAD	(TON)	12.5		
LIFTING HEIGHT	(M)	50		
HOISTING	SPEED (M/MIN)	3.25/1.0		
	MOTOR (KW)	4.4/2.2kw x 2/6p (2SET)		
TRAVERSING	SPEED (M/MIN)	20	14	20/7
	MOTOR (KW)	0.75kw x 4p (2SET)	0.4kw x 6p (2SET)	0.75/0.25kw x 4/12p (2SET)
POWER SUPPLY	AC220.380.440.460.480Vx3φ x 60 Hz			
OPERATING METHOD	P.B type ON . FL			
LOAD CHAIN	φ11.2 X 34 (4FALL)			
WEIGHT	(KG)	1335KG		
I-BEAM 적용폭	125 ~ 190MM			

NOTE)

- 1) 점검 설비를 갖출 것
- 2) 인허가 서류를 완성검사시 제출 할 것

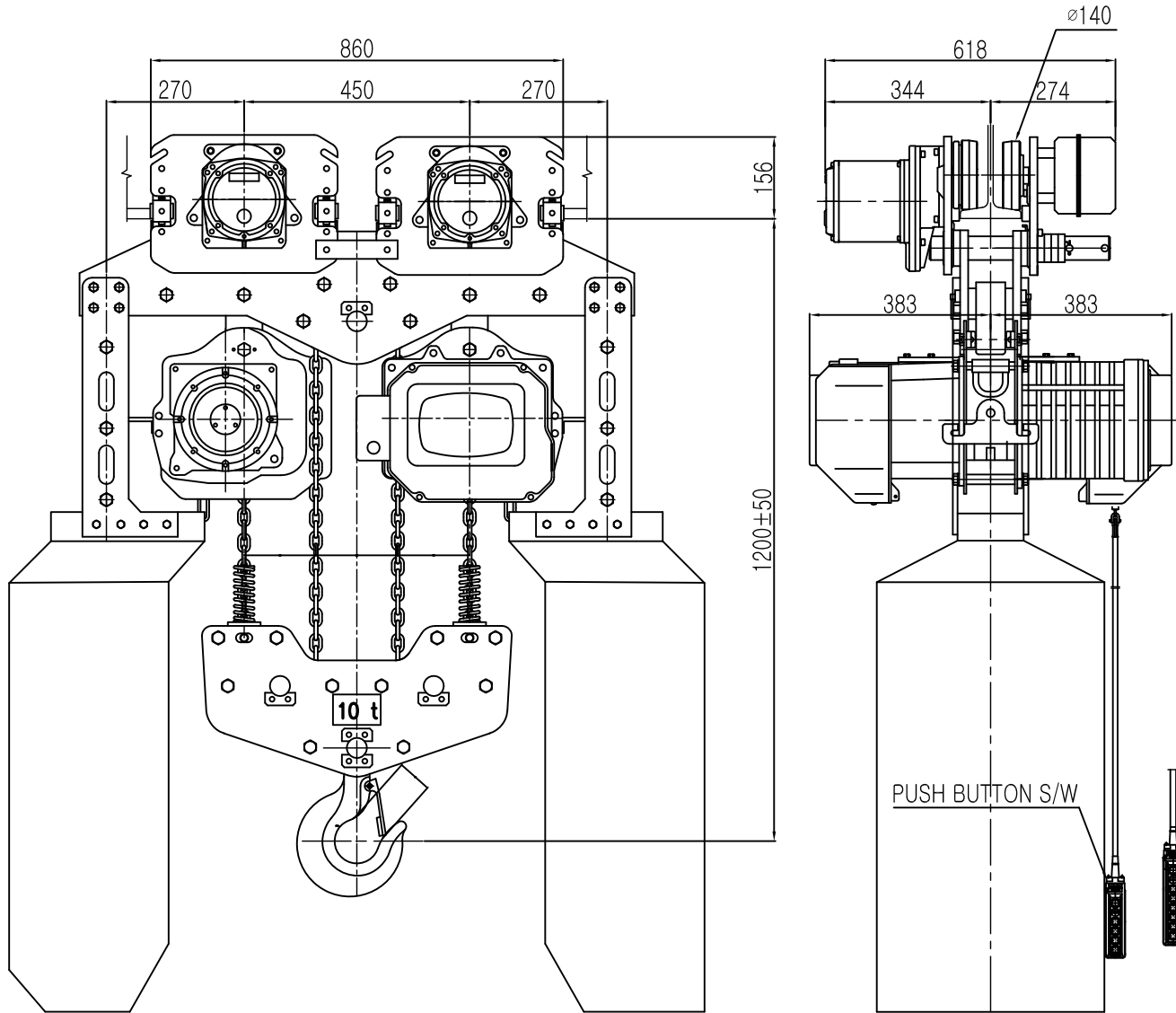
- 적용 I-BEAM)
- 1) 지점간거리 : I-250X125X7.5/12.5-1.2M
 - 2) 지점간거리 : I-300X150X10/18.5-2.5M
 - 3) 지점간거리 : I-450X175X13/26-6.0M
 - 4) 지점간거리 : I-600X190X13/25-7.0M

REV.NO	DATE	REVISION	DESCRIPTION	DRAWN	CHECKED	APPROVED
--------	------	----------	-------------	-------	---------	----------

TITLE					PROJECTION	
ELECTRIC CHAIN HOIST DBM-10W						
WORK NO	WORK NAME				SCALE	Q'TY
	LK-DBM-10W					1
DRAWN	CHECKED	REVIEWED	APPROVED	DRAWING NO		
김 창 기				CODE NO		
2010.08.01						
L K HOIST CO., LTD.						

L K HOIST

ON DRAWING



NO	DESCRIPTION	SIZE	MAT' L	Q' TY	WT (kg)	REMARKS

SPECIFICATION

		LK-DBM-10W		
RATED LOAD	(TON)	10		
TESTING LOAD	(TON)	12.5		
LIFTING HEIGHT	(M)	50		
HOISTING	SPEED (M/MIN)	3.25/1.0		
	MOTOR (KW)	4.4/2.2kw x 2/6p (2SET)		
TRAVERSING	SPEED (M/MIN)	20	14	20/7
	MOTOR (KW)	0.75kw x 4p (2SET)	0.4kw x 6p (2SET)	0.75/0.25kw x 4/12p (2SET)
POWER SUPPLY	AC220.380.440.460.480Vx3φ x 60 Hz			
OPERATING METHOD	P.B type ON . FL			
LOAD CHAIN	φ11.2 X 34 (4FALL)			
WEIGHT	(KG)	1335KG		
I-BEAM 적용폭	125 ~ 190MM			

NOTE)

- 1)점검 설비를 갖출 것
- 2)인허가 서류를 완성검사시 제출할 것

적용 I-BEAM)

- 1) 지점간거리 : I-250X125X7.5/12.5-1.2M
- 2) 지점간거리 : I-300X150X10/18.5-2.5M
- 3) 지점간거리 : I-450X175X13/26-6.0M
- 4) 지점간거리 : I-600X190X13/25-7.0M

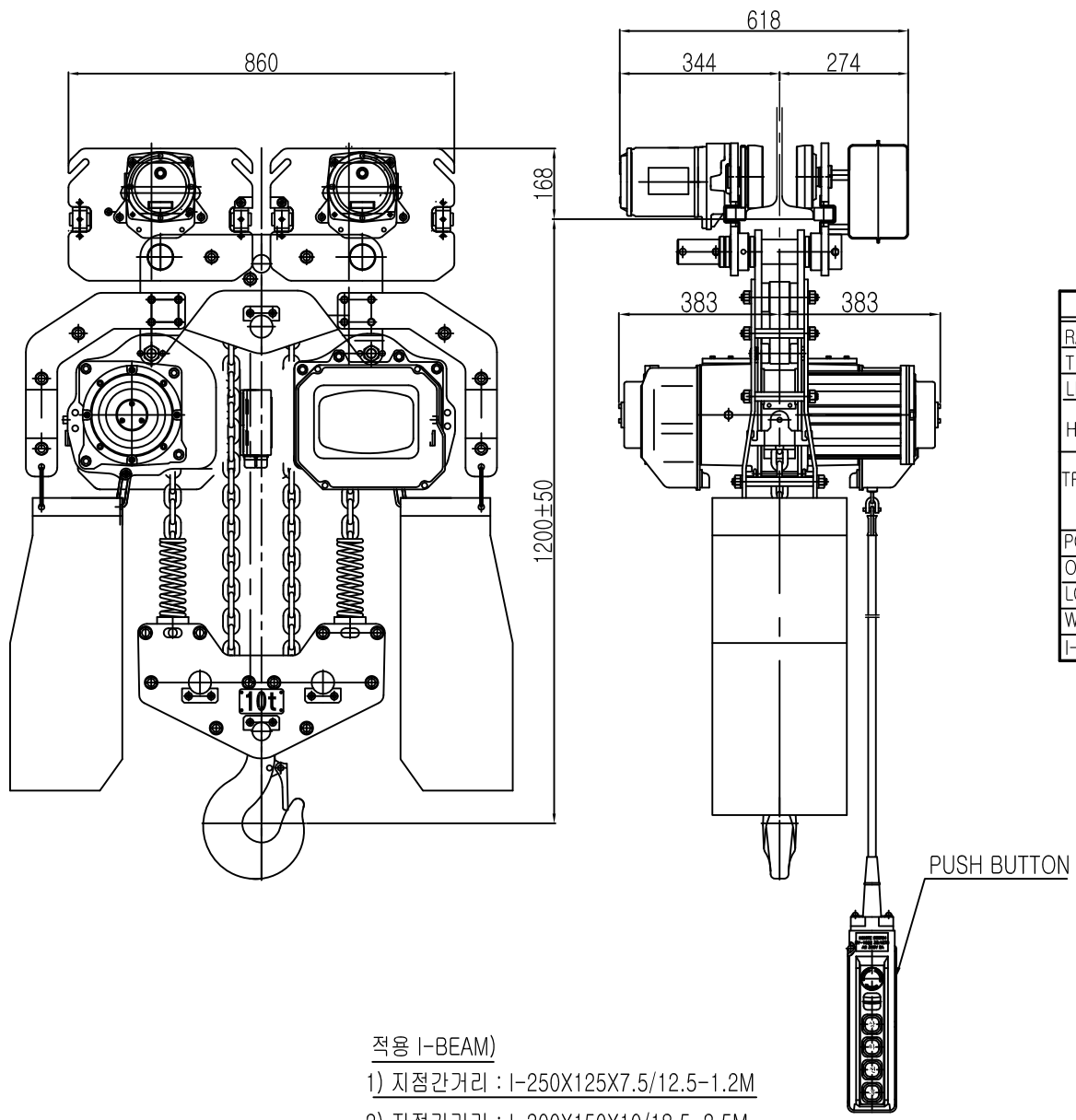
REV.NO	DATE	REVISION	DESCRIPTION	DRAWN	CHECKED	APPROVED

TITLE						PROJECTION	
ELECTRIC CHAIN HOIST DBM-10W							
WORK NO	WORK NAME					SCALE	Q' TY
	LK-DBM-10W						1
DRAWN	CHECKED	REVIEWED	APPROVED	DRAWING NO			
김창기					CODE NO		
2010.08.01							

ELEPHANT

ON DRAWING

NO	DESCRIPTION	SIZE	MAT'L	Q'TY	WT (kg)	REMARKS



SPECIFICATION

		LK-DBM-10W		
RATED LOAD	(TON)	10		
TESTING LOAD	(TON)	12.5		
LIFTING HEIGHT	(M)	50		
HOISTING	SPEED (M/MIN)	3.25/1.0		
	MOTOR (KW)	4.4/2.2kw x 2/6p (2SET)		
TRAVERSING	SPEED (M/MIN)	20	14	20/7
	MOTOR (KW)	0.75kw x 4p (2SET)	0.4kw x 6p (2SET)	0.75/0.25kw x 4/12p (2SET)
POWER SUPPLY		AC220,380,440,460,480Vx3φ x 60 Hz		
OPERATING METHOD		P.B type ON . FL		
LOAD CHAIN		ø11.2 X 34 (4FALL)		
WEIGHT	(KG)	1335KG		
I-BEAM 적용폭		125 ~ 190MM		

NOTE)

- 1) 점검 설비를 갖출 것
- 2) 인허가 서류를 완성검사시 제출 할 것

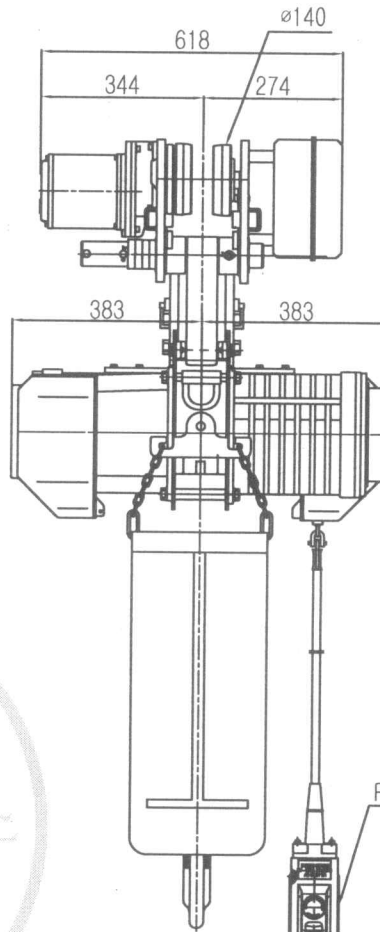
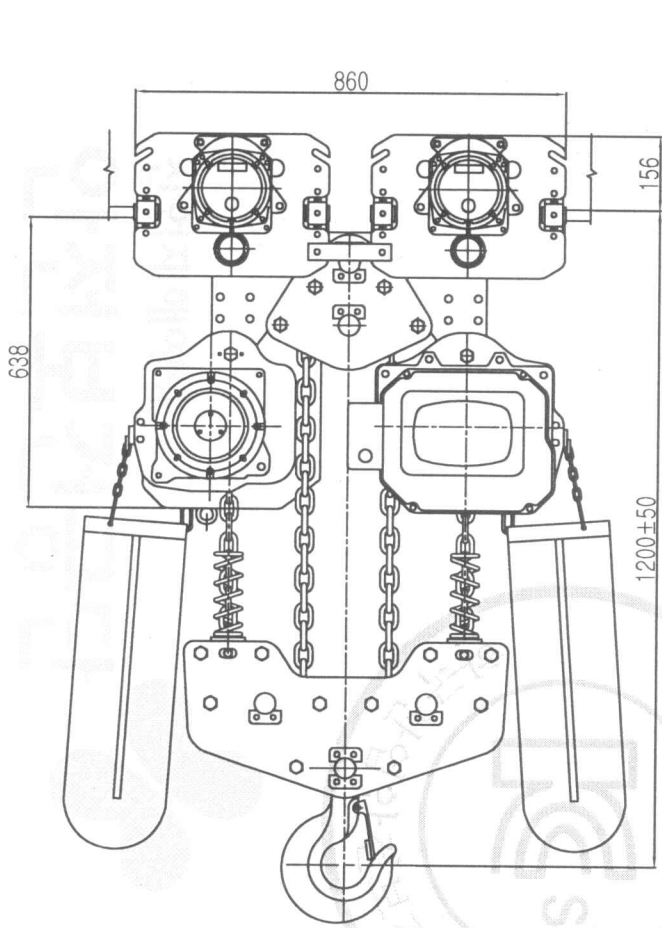
- 적용 I-BEAM)
- 1) 지점간거리 : I-250X125X7.5/12.5-1.2M
 - 2) 지점간거리 : I-300X150X10/18.5-2.5M
 - 3) 지점간거리 : I-450X175X13/26-6.0M
 - 4) 지점간거리 : I-600X190X13/25-7.0M

TITLE					PROJECTION	
ELECTRIC CHAIN HOIST DBM-10W						
WORK NO	WORK NAME				SCALE	Q' TY
	LK-DBM-10W					1
DRAWN	CHECKED	REVIEWED	APPROVED	DRAWING NO		
김 창 기				CODE NO		
2010.08.01						

REV.NO	DATE	REVISION	DESCRIPTION	DRAWN	CHECKED	APPROVED

ELEPHANT

NO	DESCRIPTION	SIZE	MAT'L	Q'TY	WT (kg)	REMARKS



SPECIFICATION

		LK-DBM-10W		
RATED LOAD (TON)		10		
TESTING LOAD (TON)		12.5		
LIFTING HEIGHT (M)		50		
HOISTING	SPEED (M/MIN)	3.25/1.0		
	MOTOR (KW)	4.4/2.2kw x 2/6p (2SET)		
TRAVERSING	SPEED (M/MIN)	20	14	20/7
	MOTOR (KW)	0.75kw x 4p (2SET)	0.4kw x 6p (2SET)	0.75/0.25kw x 4/12p (2SET)
POWER SUPPLY		AC220,380,440,460,480Vx3φ x 60 Hz		
OPERATING METHOD		P.B type ON . FL		
LOAD CHAIN		φ11.2 X 34 (4FALL)		
WEIGHT (KG)		1335KG		
I-BEAM 적용폭		125 ~ 190MM		

PUSH BUTTON

NOTE)

- 1) 점검 설비를 갖출 것
- 2) 인허가 서류를 완성검사시 제출 할 것

적용 I-BEAM)

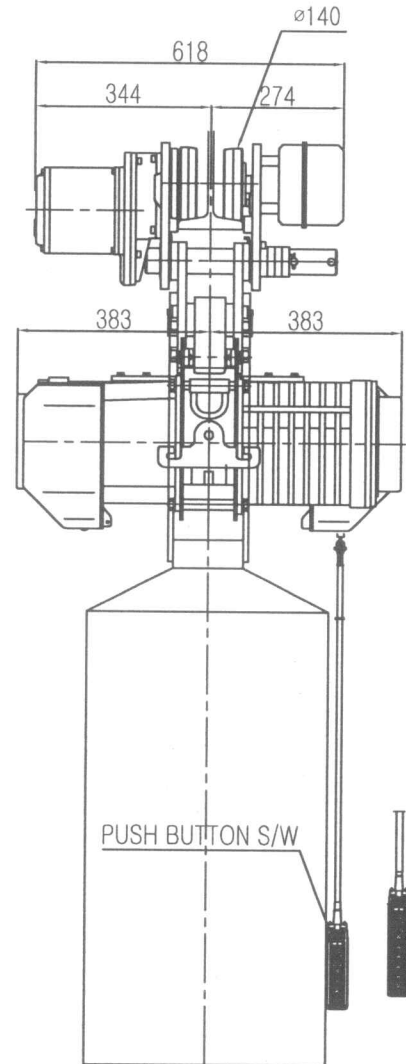
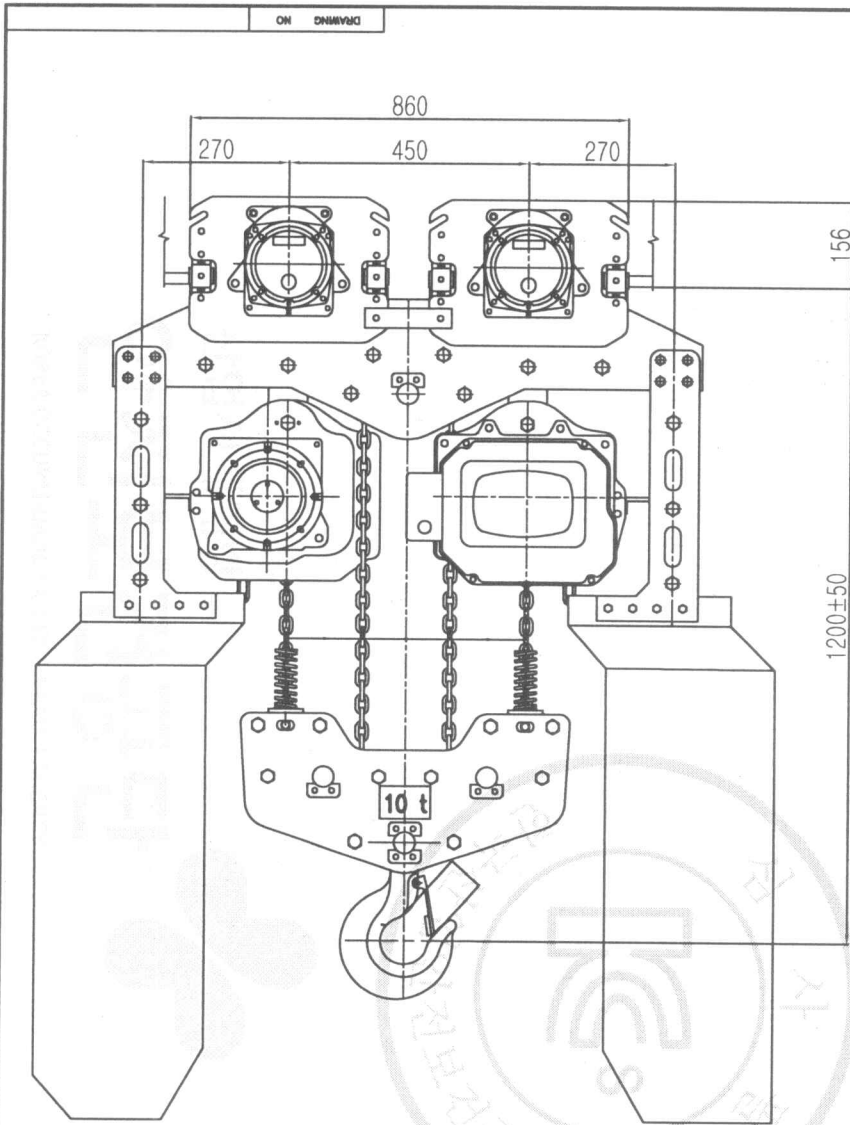
- 1) 지점간거리 : I-250X125X7.5/12.5-1.2M
- 2) 지점간거리 : I-300X150X10/18.5-2.5M
- 3) 지점간거리 : I-450X175X13/26-6.0M
- 4) 지점간거리 : I-600X190X13/25-7.0M

REV. NO	DATE	REVISION DESCRIPTION	DRAWN	CHECKED	APPROVED

TITLE				PROJECTION	
ELECTRIC CHAIN HOIST DBM-10W					
WORK NO	WORK NAME			SCALE	Q'TY
	LK-DBM-10W				1
DRAWN	CHECKED	REVIEWED	APPROVED	DRAWING NO	
김창기					
2010.08.01				CODE NO	
L K HOIST CO., LTD.					

물범복제 및 배포금지

L K HOIST



NO	DESCRIPTION	SIZE	MAT L	Q' TY	WT (kg)	REMARKS

SPECIFICATION

		LK-DBM-10W		
RATED LOAD (TON)		10		
TESTING LOAD (TON)		12.5		
LIFTING HEIGHT (M)		50		
HOISTING	SPEED (M/MIN)	3.25/1.0		
	MOTOR (KW)	4.4/2.2kw x 2/6p (2SET)		
TRAVERSING	SPEED (M/MIN)	20	14	20/7
	MOTOR (KW)	0.75kw x 4p (2SET)	0.4kw x 6p (2SET)	0.75/0.25kw x 4/12p (2SET)
POWER SUPPLY		AC220.380.440.460.480V x 3φ x 60 Hz		
OPERATING METHOD		P.B type ON . FL		
LOAD CHAIN		φ11.2 X 34 (4FALL)		
WEIGHT (KG)		1335KG		
I-BEAM 적용폭		125 ~ 190MM		

NOTE)

- 1)점검 설비를 갖출 것
- 2)인허가 서류를 완성검사시 제출 할 것

적용 I-BEAM)

- 1) 지점간거리 : I-250X125X7.5/12.5-1.2M
- 2) 지점간거리 : I-300X150X10/18.5-2.5M
- 3) 지점간거리 : I-450X175X13/26-6.0M
- 4) 지점간거리 : I-600X190X13/25-7.0M

REV.NO	DATE	REVISION	DESCRIPTION	DRAWN	CHECKED	APPROVED

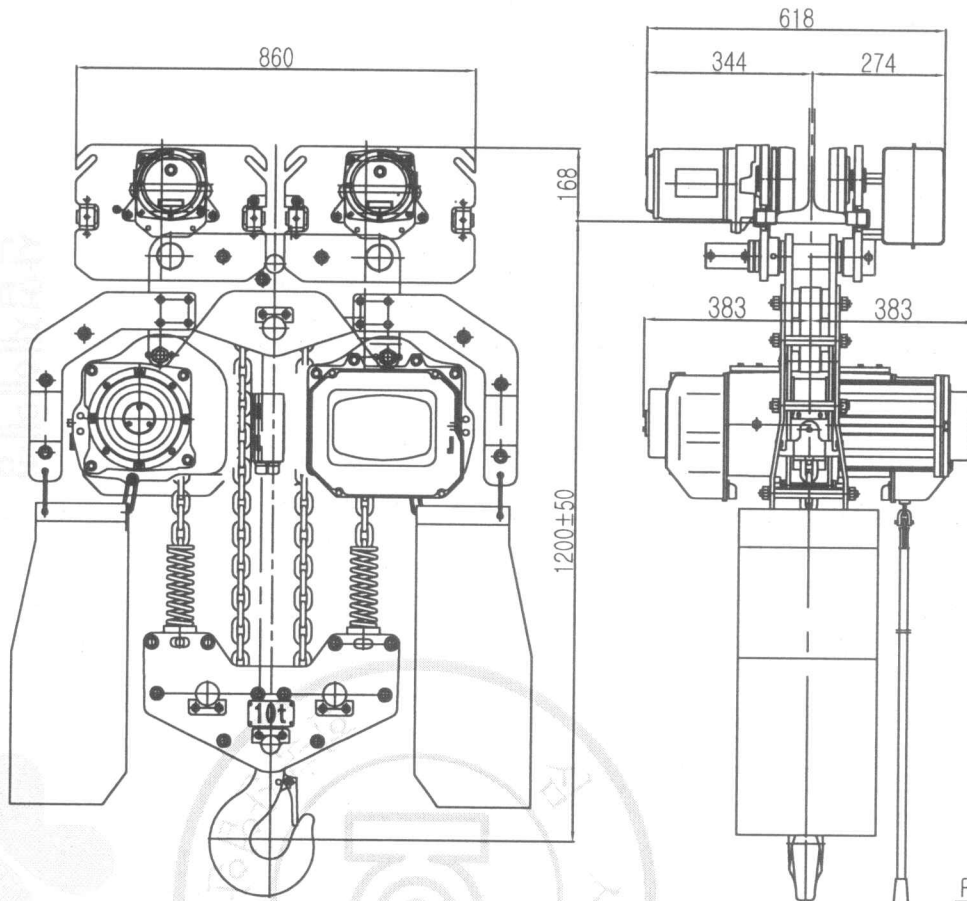
TITLE					PROJECTION	
ELECTRIC CHAIN HOIST DBM-10W						
WORK NO	WORK NAME			SCALE	Q' TY	
	LK-DBM-10W				1	
DRAWN	CHECKED	REVIEWED	APPROVED	DRAWING NO		
김창기						
2010.08.01				CODE NO		
L K HOIST CO., LTD.						

불법복제 및 배포금지

ELEPHANT

ON ONMVBG

NO	DESCRIPTION	SIZE	MAT L	Q' TY	WT (kg)	REMARKS



SPECIFICATION

		LK-DBM-10W		
RATED LOAD (TON)		10		
TESTING LOAD (TON)		12.5		
LIFTING HEIGHT (M)		50		
HOISTING	SPEED (M/MIN)	3.25/1.0		
	MOTOR (KW)	4.4/2.2kw x 2/6p (2SET)		
TRAVERSING	SPEED (M/MIN)	20	14	20/7
	MOTOR (KW)	0.75kw x 4p (2SET)	0.4kw x 6p (2SET)	0.75/0.25kw x 4/12p (2SET)
		AC220.380.440.460.480V x 3ø x 60 Hz		
POWER SUPPLY	AC220.380.440.460.480V x 3ø x 60 Hz			
OPERATING METHOD	P.B type ON, FL			
LOAD CHAIN	ø11.2 X 34 (4FALL)			
WEIGHT (KG)	1335KG			
I-BEAM 적용폭	125 ~ 190MM			

물범복제 및 배포금지

적용 I-BEAM)

1) 지점간거리 : I-250X125X7.5/12.5-1.2M

2) 지점간거리 : I-300X150X10/18.5-2.5M

3) 지점간거리 : I-450X175X13/26-6.0M

4) 지점간거리 : I-600X190X13/25-7.0M

NOTE)

1) 점검 설비를 갖출 것

2) 인허가 서류를 완성검사시 제출 할 것

REV. NO	DATE	REVISION DESCRIPTION	DRAWN	CHECKED	APPROVED

TITLE					PROJECTION	
ELECTRIC CHAIN HOIST DBM-10W						
WORK NO	WORK NAME			SCALE	Q' TY	
	LK-DBM-10W				1	
DRAWN	CHECKED	REVIEWED	APPROVED	DRAWING NO		
김창기						
2010.08.01				CODE NO		
L K HOIST CO., LTD.						