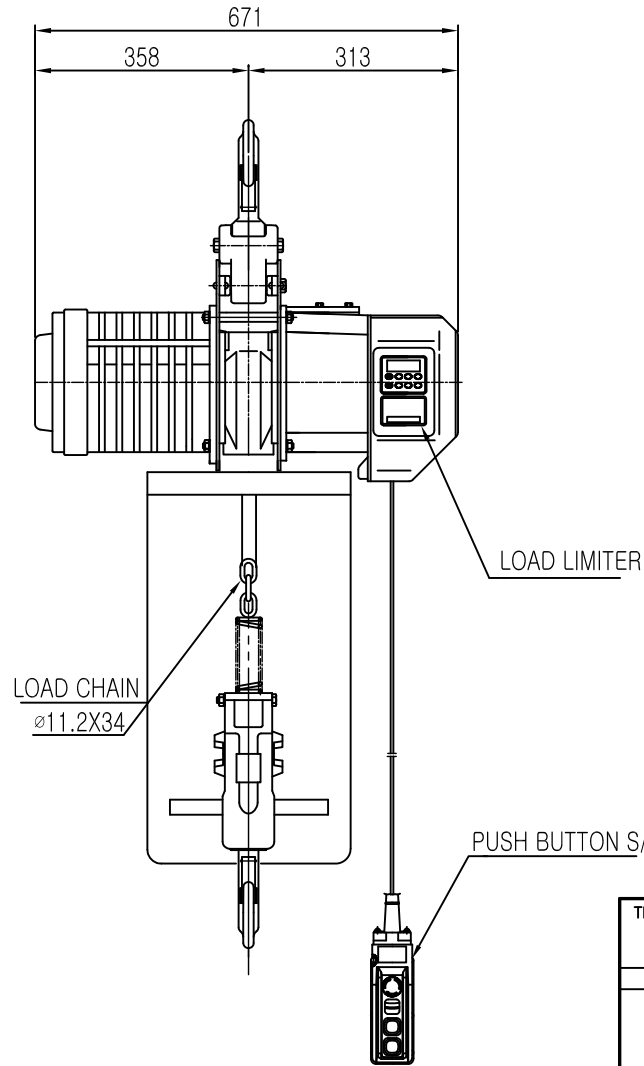
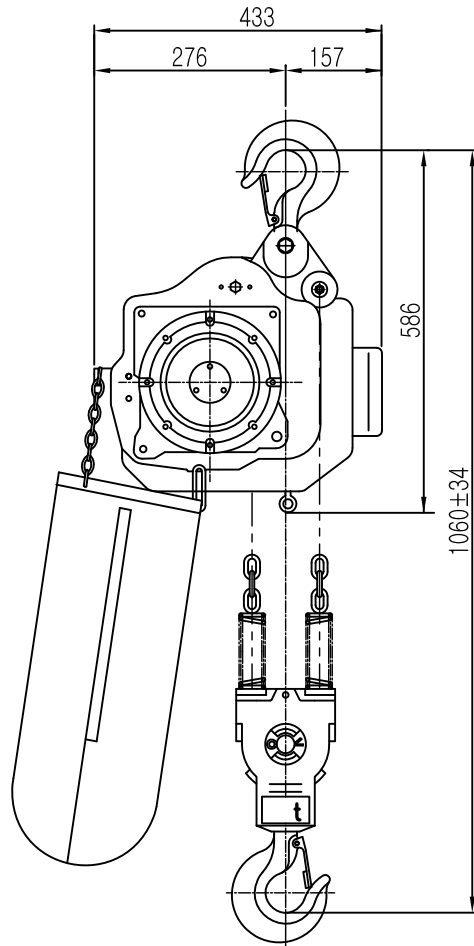


ON 9MD

# L K HOIST

NO	DESCRIPTION	SIZE	MAT' L	Q' TY	WT (kg)	REMARKS



SPECIFICATION		
HOISTING LOAD	5	TON
TESTING LOAD	6.25	TON
LIFTING HEIGHT	50	M
HOISTING	SPEED	3.25 M/MIN
	MOTOR	3.5 KW x 1 SET
TRAVERSING	SPEED	- M/MIN
	MOTOR	- KW x - SET
POWER SUPPLY	AC220,380,440,460,480 V x 3ø x 60 Hz	
OPERATING METHOD	P.B type ON . FL	
LOAD CHAIN	ø11.2 x 34 (2 FALL)	
WIEGHT	410 KG	

NOTE)

- 1) 점검 설비를 갖출것.
- 2) 인허가 서류를 완성검사시 제출할것.

TITLE				PROJECTION	
<b>DA-5W ELECTRIC CHAIN HOIST</b>					
WORK NO	WORK NAME			SCALE	Q' TY
	HOOK TYPE			N S	1
DRAWN	CHECKED	REVIEWED	APPROVED	DRAWING NO	
김 창 기					
2010.07.27					

REV.NO	DATE	REVISION	DESCRIPTION	DRAWN	CHECKED	APPROVED

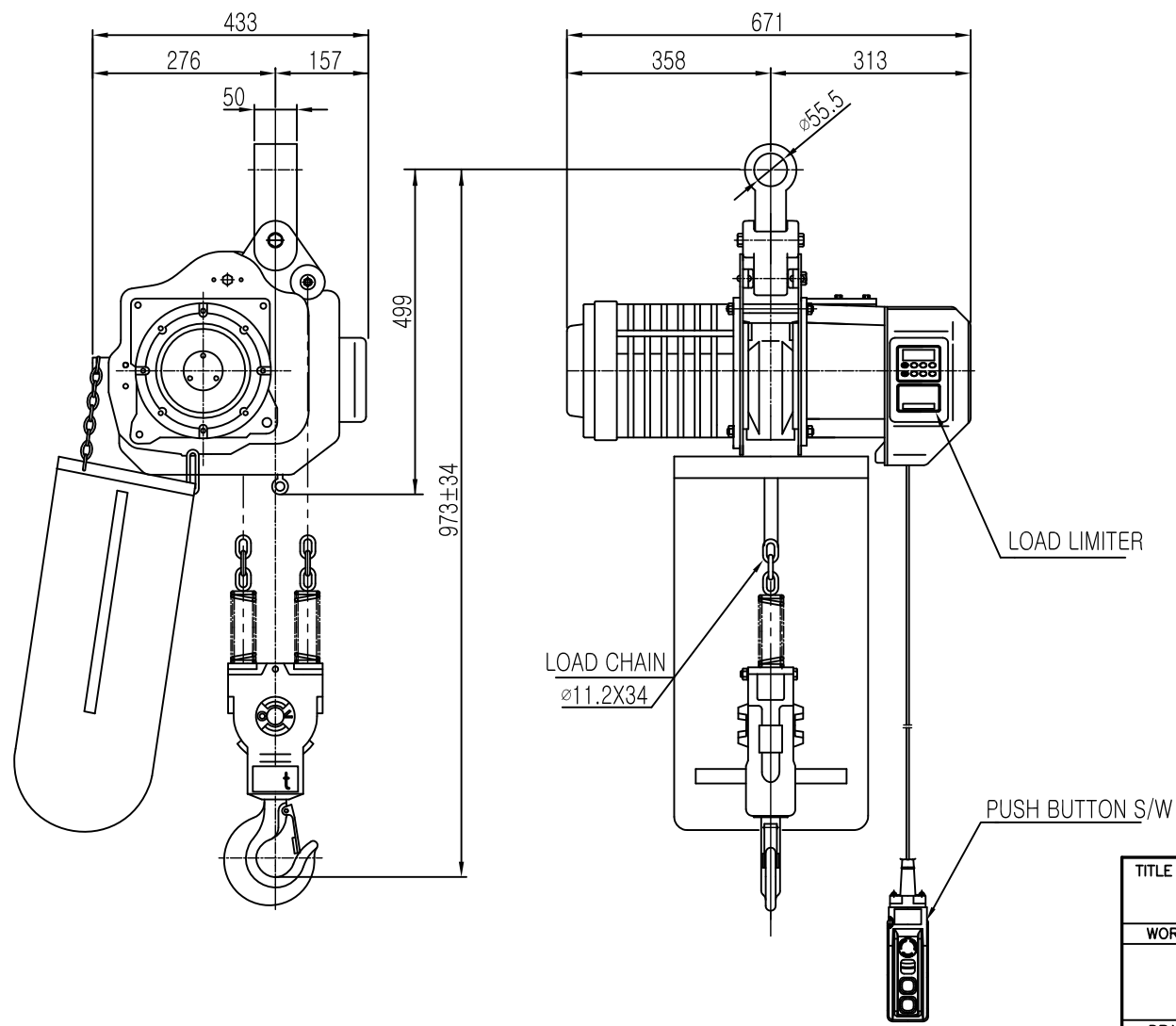


L K HOIST CO., LTD.

ON 3MD

# L K HOIST

NO	DESCRIPTION	SIZE	MAT' L	Q' TY	WT (kg)	REMARKS



SPECIFICATION		
HOISTING LOAD	5	TON
TESTING LOAD	6.25	TON
LIFTING HEIGHT	50	M
HOISTING	SPEED	3.25 M/MIN
	MOTOR	3.5 KW x 1 SET
TRAVERSING	SPEED	- M/MIN
	MOTOR	- KW x - SET
POWER SUPPLY	AC220,380,440,460,480 V x 3ø x 60 Hz	
OPERATING METHOD	P.B type ON . FL	
LOAD CHAIN	ø11.2 x 34 (2 FALL)	
WIEGHT	410 KG	

NOTE)  
 1) 점검 설비를 갖출것.  
 2) 인허가 서류를 완성검사시 제출할것.

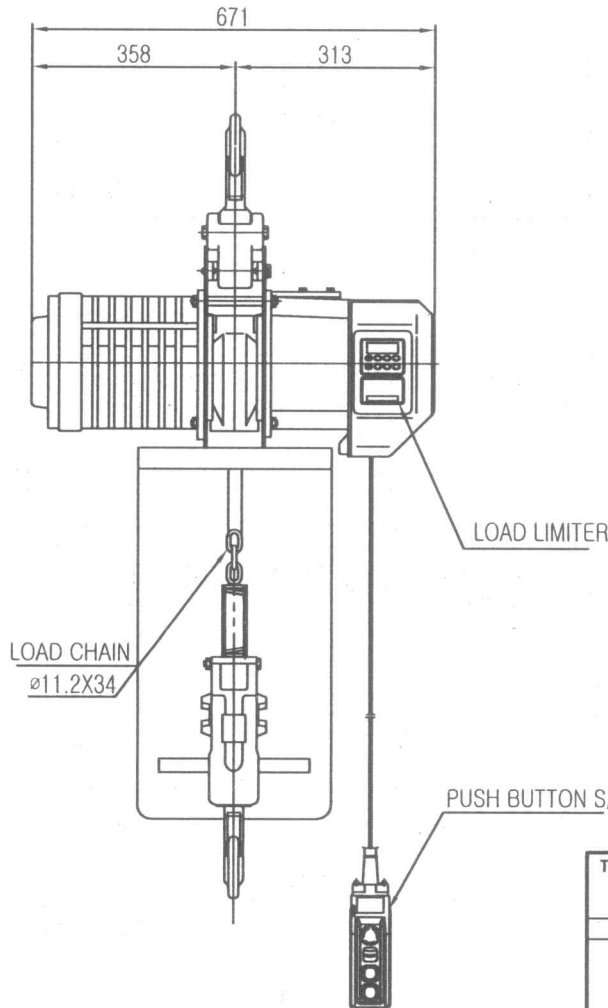
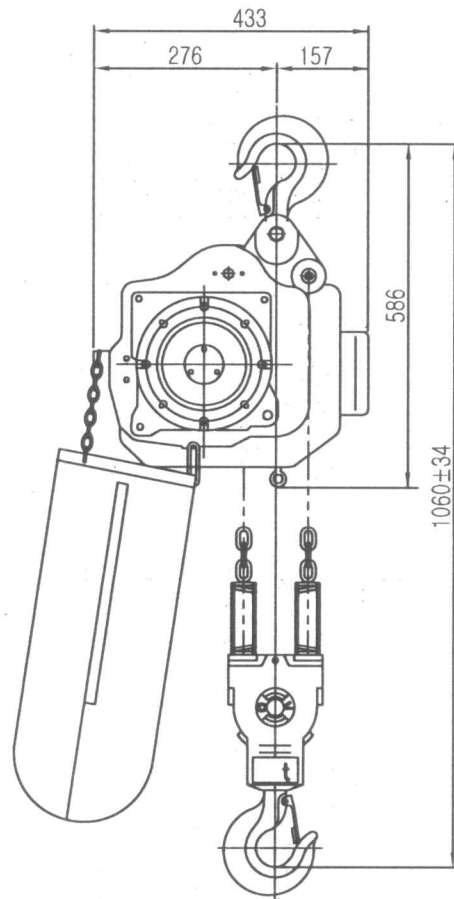
REV.NO	DATE	REVISION	DESCRIPTION	DRAWN	CHECKED	APPROVED

TITLE					PROJECTION	
DA-5W ELECTRIC CHAIN HOIST						
CONNECTOR TYPE					SCALE	Q' TY
					N	S 1
DRAWN	CHECKED	REVIEWED	APPROVED	DRAWING NO		
김 창 기						
2010.07.27						

ON 5MD

# L K HOIST

NO	DESCRIPTION	SIZE	MAT' L	Q' TY	WT (kg)	REMARKS



SPECIFICATION	
HOISTING LOAD	5 TON
TESTING LOAD	6.25 TON
LIFTING HEIGHT	50 M
HOISTING SPEED	3.25 M/MIN
MOTOR	3.5 KW x 1 SET
TRAVERSING SPEED	- M/MIN
MOTOR	- KW x - SET
POWER SUPPLY	AC220,380,440,460,480 V x 3ø x 60 Hz
OPERATING METHOD	P.B type ON . FL
LOAD CHAIN	ø11.2 x 34 (2 FALL)
WIEGHT	410 KG

NOTE)

- 1) 점검 설비를 갖출것.
- 2) 인허가 서류를 완성검사시 제출할것.

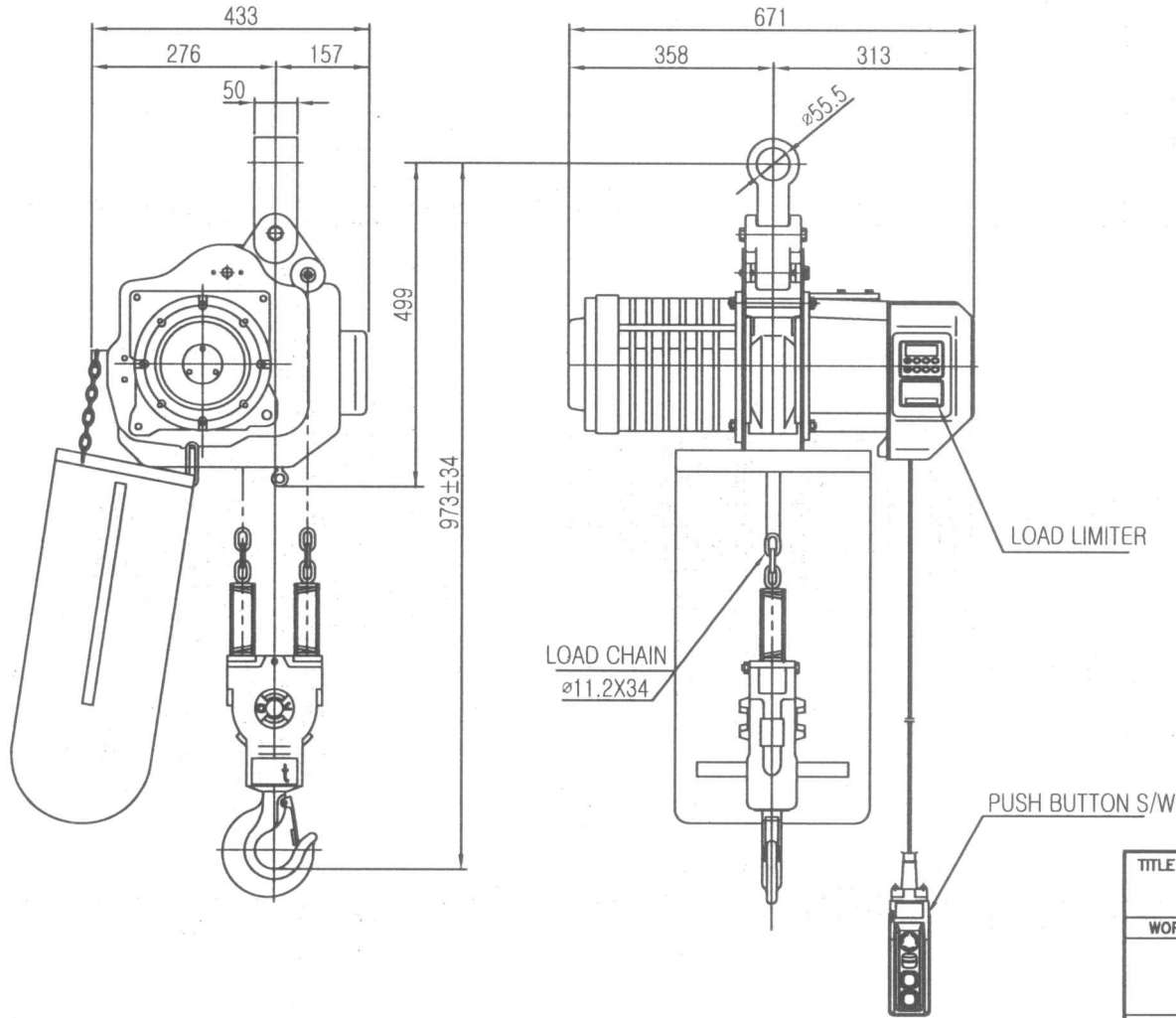
TITLE				PROJECTION	
<b>DA-5W ELECTRIC CHAIN HOIST</b>					
WORK NO	WORK NAME			SCALE	Q' TY
	HOOK TYPE			N S	1
DRAWN	CHECKED	REVIEWED	APPROVED	DRAWING NO	
김 창 기					
2010.07.27					

REV.NO	DATE	REVISION DESCRIPTION	DRAWN	CHECKED	APPROVED

ON 9MD

# L K HOIST

NO	DESCRIPTION	SIZE	MAT'L	Q'TY	WT (kg)	REMARKS



SPECIFICATION	
HOISTING LOAD	5 TON
TESTING LOAD	6.25 TON
LIFTING HEIGHT	50 M
HOISTING	SPEED 3.25 M/MIN
	MOTOR 3.5 KW x 1 SET
TRAVERSING	SPEED - M/MIN.
	MOTOR - KW x - SET
POWER SUPPLY	AC220,380,440,460,480 V x 3ø x 60 Hz
OPERATING METHOD	P.B type ON . FL
LOAD CHAIN	ø11.2 x 34 (2 FALL)
WIEGHT	410 KG

- NOTE)
- 1) 점검 설비를 갖출것.
  - 2) 인허가 서류를 완성검사시 제출할것.

REV.NO	DATE	REVISION	DESCRIPTION	DRAWN	CHECKED	APPROVED

TITLE				PROJECTION	
DA-5W ELECTRIC CHAIN HOIST					
WORK NO	WORK NAME			SCALE	Q' TY
	CONNECTOR TYPE			N S	1
DRAWN	CHECKED	REVIEWED	APPROVED	DRAWING NO	
김 창 기					
2010.07.27					

**LK** L K HOIST CO., LTD.