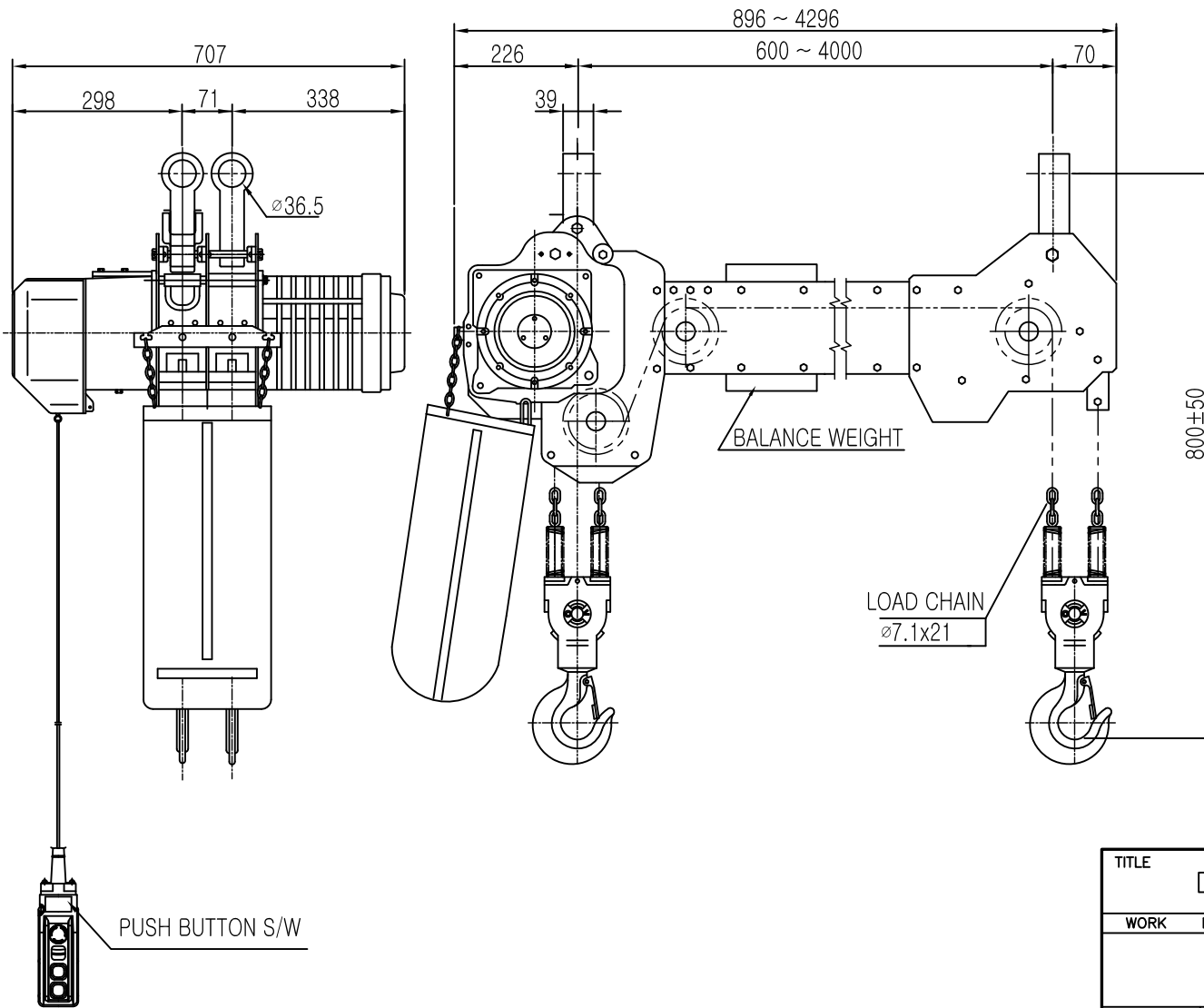


L K HOIST

ON 3MG

NO	DESCRIPTION	SIZE	MAT' L	Q' TY	WT (kg)	REMARKS



SPECIFICATION		
RATED	1.9	TON
TESTING LOAD	2.375	TON
LIFTING HEIGHT	50	M
HOISTING	SPEED	4.1/1.3
	MOTOR	1.8/0.7KW x 2/6P
TRAVERSING	SPEED	-
	MOTOR	-
POWER SUPPLY	AC220,380,440,460,480 V x 3 ϕ x 60 Hz	
OPERATING METHOD	P.B type ON . FL	
LOAD CHAIN	$\phi 7.1 \times 21$ (2FALL)	
WIEGHT	456 KG	

NOTE)

- 1) 점검 설비를 갖출것.
- 2) 인허가 서류를 완성검사사 제출할것.

REV.NO	DATE	REVISION	DESCRIPTION	DRAWN	CHECKED	APPROVED

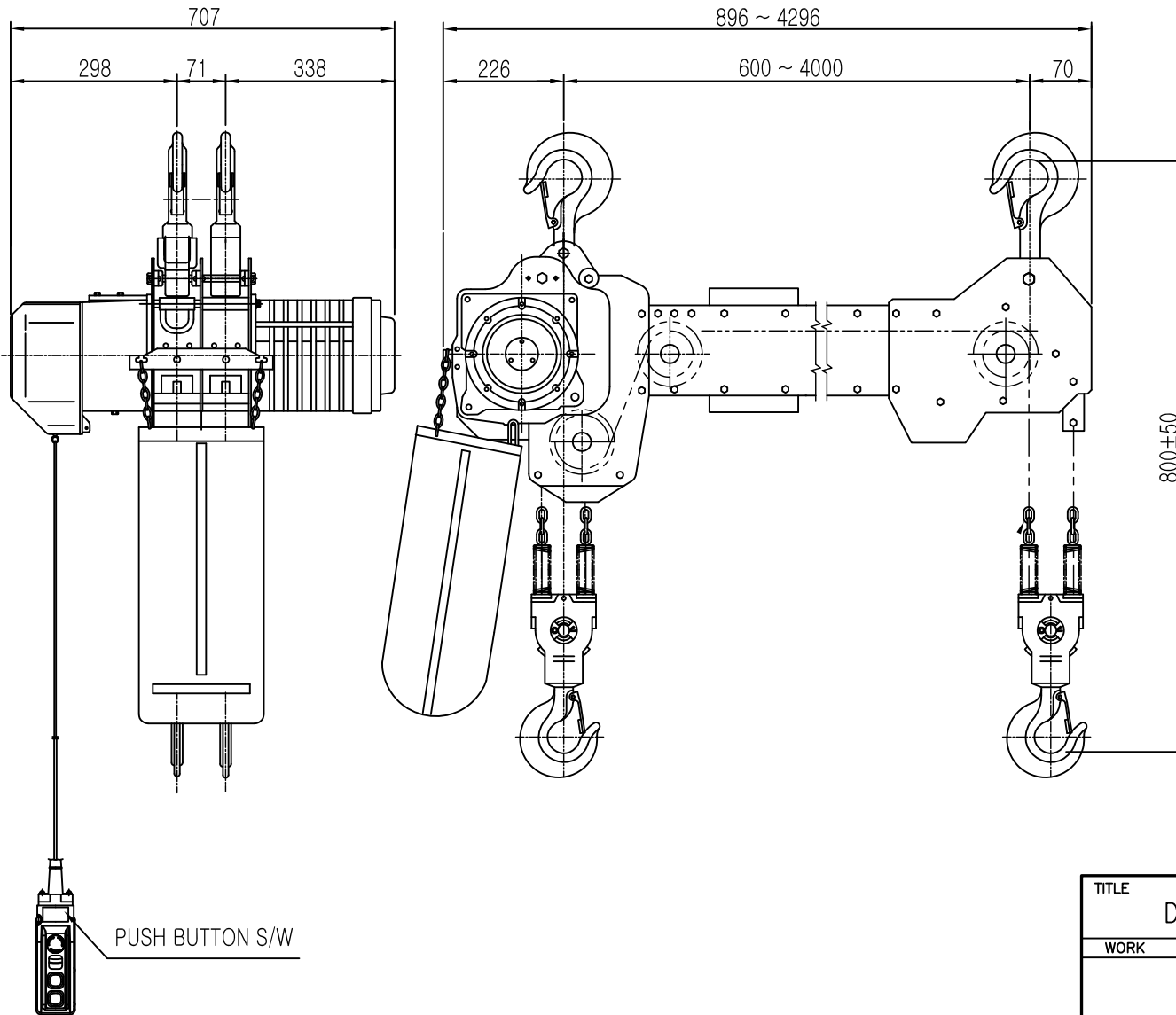
TITLE					PROJECTION	
DHDB-1.9W ELECTRIC CHAIN HOIST						
WORK NO	WORK NAME				SCALE	Q' TY
	CONNECTOR TYPE				N.S	1
DRAWN	CHECKED	REVIEWED	APPROVED	DRAWING NO		
김 창 기				CORD NO		
2010.08.01						

LK L K HOIST CO., LTD.

ON ㉔MD

L K HOIST

NO	DESCRIPTION	SIZE	MAT' L	Q' TY	WT (kg)	REMARKS



SPECIFICATION		
RATED	1.9	TON
TESTING LOAD	2.375	TON
LIFTING HEIGHT	50	M
HOISTING	SPEED	4.1/1.3 M/MIN
	MOTOR	1.8/0.7KW x 2/6P
TRAVERSING	SPEED	-
	MOTOR	-
POWER SUPPLY	AC220,380,440,460,480 V x 3φ x 60 Hz	
OPERATING METHOD	P.B type ON . FL	
LOAD CHAIN	ø7.1 x 21 (2FALL)	
WIEGHT	456 KG	

NOTE)

- 1) 점검 설비를 갖출것.
- 2) 인허가 서류를 완성검사시 제출할것.

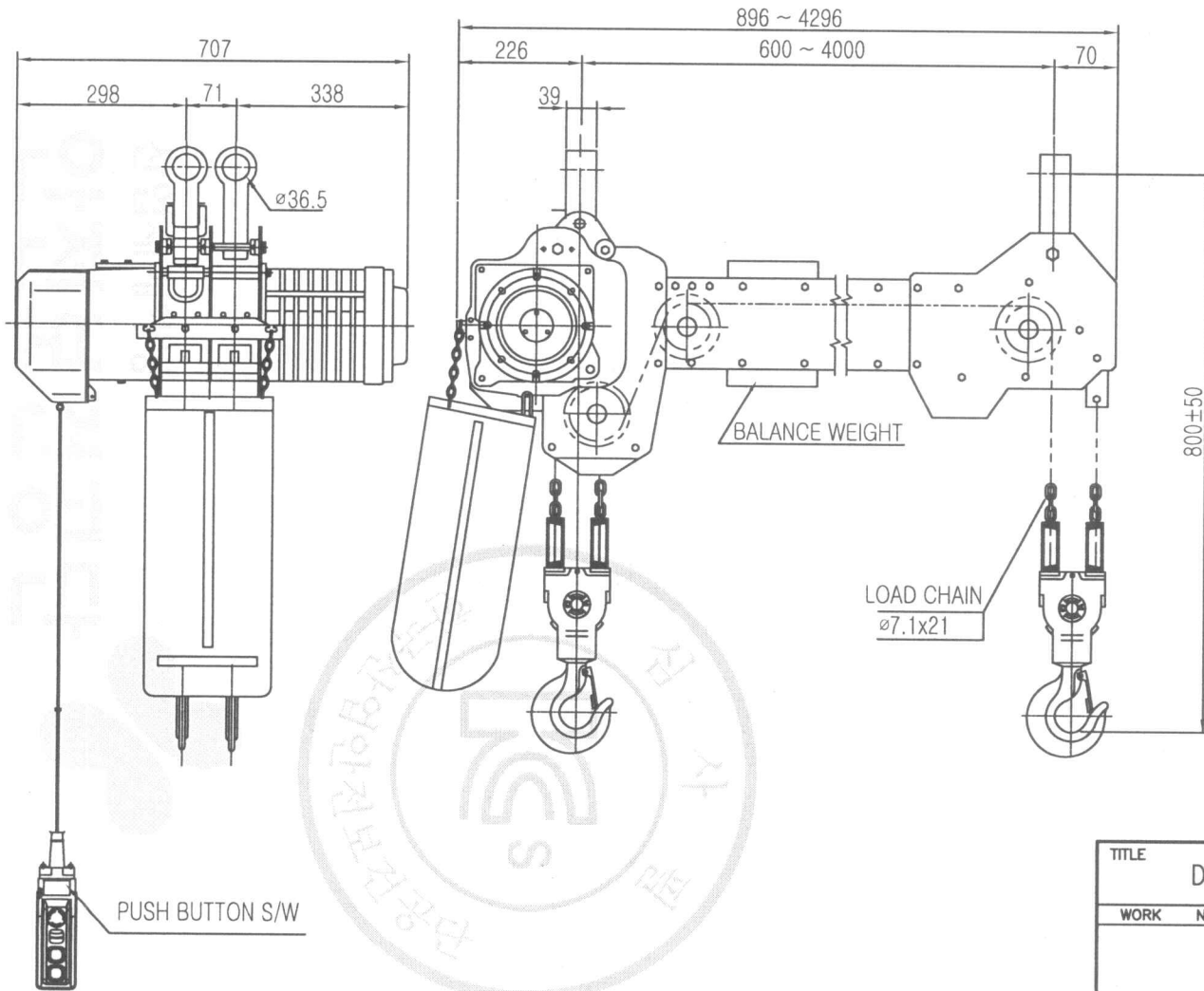
REV.NO	DATE	REVISION	DESCRIPTION	DRAWN	CHECKED	APPROVED

TITLE					PROJECTION	
DHDB-1.9W ELECTRIC CHAIN HOIST						
WORK NO	WORK NAME			SCALE	Q' TY	
	HOOK TYPE			N.S	1	
DRAWN	CHECKED	REVIEWED	APPROVED	DRAWING NO		
김창기				CORD NO		
2010.08.01						

ON 5MG

L K HOIST

NO	DESCRIPTION	SIZE	MAT' L	Q' TY	WT (kg)	REMARKS



SPECIFICATION		
RATED	1.9	TON
TESTING LOAD	2.375	TON
LIFTING HEIGHT	50	M
HOISTING	SPEED	4.1/1.3
	MOTOR	1.8/0.7KW x 2/6P
TRAVERSING	SPEED	-
	MOTOR	-
POWER SUPPLY	AC220,380,440,460,480 V x 3 ϕ x 60 Hz	
OPERATING METHOD	P.B type ON, FL	
LOAD CHAIN	$\phi 7.1 \times 21$ (2FALL)	
WIEGHT	456 KG	

NOTE)

- 1) 점검 설비를 갖출것.
- 2) 인허가 서류를 완성검사서 제출할것.

물범복제 및 배포금지

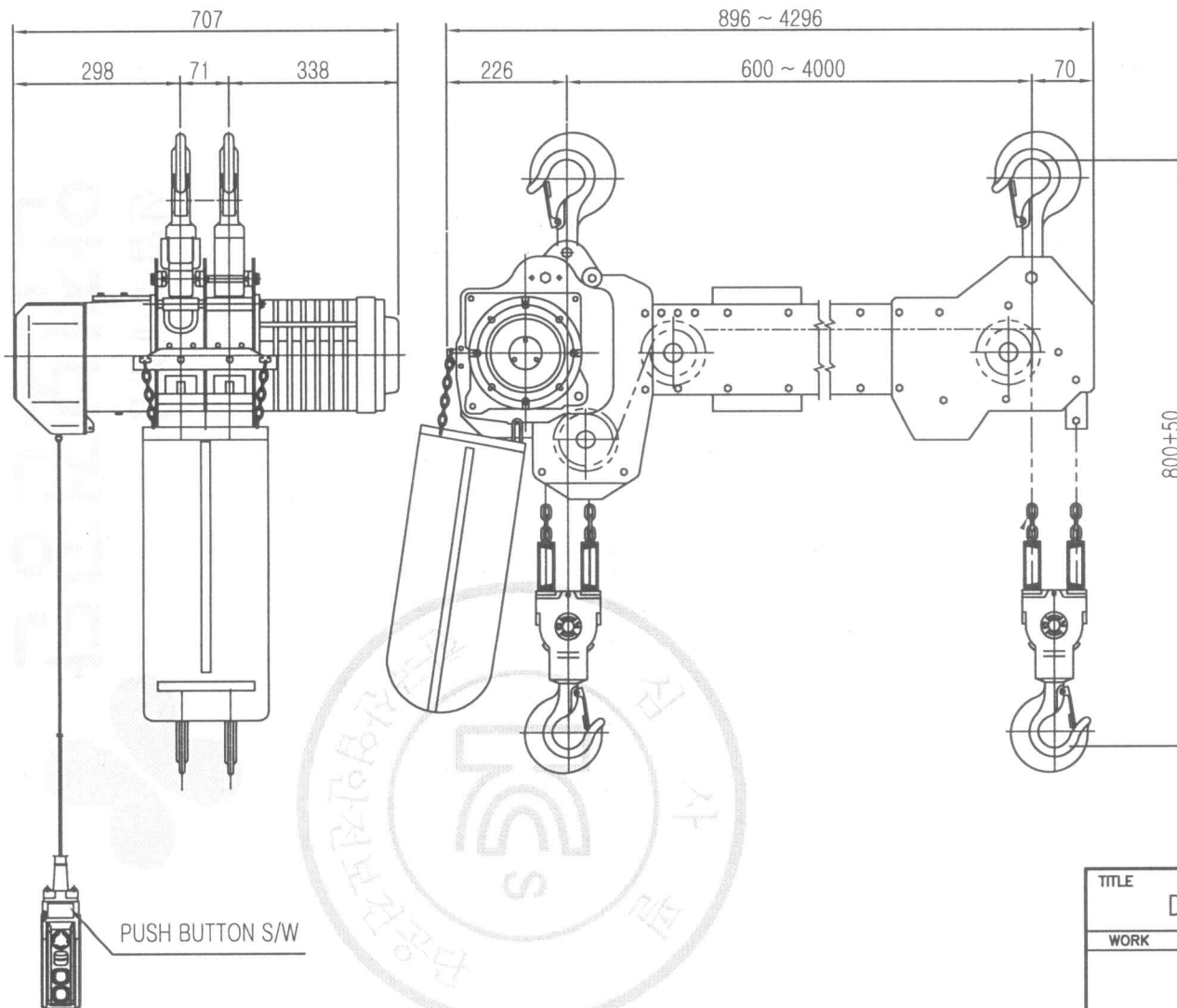
REV.NO	DATE	REVISION	DESCRIPTION	DRAWN	CHECKED	APPROVED

TITLE					PROJECTION	
DHDB-1.9W ELECTRIC CHAIN HOIST						
WORK NO	WORK NAME				SCALE	Q' TY
	CONNECTOR TYPE				N.S	1
DRAWN	CHECKED	REVIEWED	APPROVED	DRAWING NO		
김창기				CORD NO		
2010.08.01						
LK L K HOIST CO., LTD.						

ON 3M

L K HOIST

NO	DESCRIPTION	SIZE	MAT' L	Q' TY	WT (kg)	REMARKS



SPECIFICATION		
RATED	1.9	TON
TESTING LOAD	2.375	TON
LIFTING HEIGHT	50	M
HOISTING	SPEED	4.1/1.3 M/MIN
	MOTOR	1.8/0.7KW x 2/6P
TRAVERSING	SPEED	-
	MOTOR	-
POWER SUPPLY	AC220,380,440,460,480 V x 3φ x 60 Hz	
OPERATING METHOD	P.B type ON . FL	
LOAD CHAIN	ø7.1 x 21 (2FALL)	
WIEGHT	456 KG	

NOTE)

- 1) 점검 설비를 갖추것.
- 2) 인허가 서류를 완성검사시 제출할것.

물범복제 및 배포금지

REV.NO	DATE	REVISION	DESCRIPTION	DRAWN	CHECKED	APPROVED

TITLE					PROJECTION	
DHDB-1.9W ELECTRIC CHAIN HOIST						
WORK NO	WORK NAME			SCALE	Q' TY	
	HOOK TYPE			N.S	1	
DRAWN	CHECKED	REVIEWED	APPROVED	DRAWING NO		
김 창 기						
2010.08.01				CORD NO		
L K HOIST CO., LTD.						