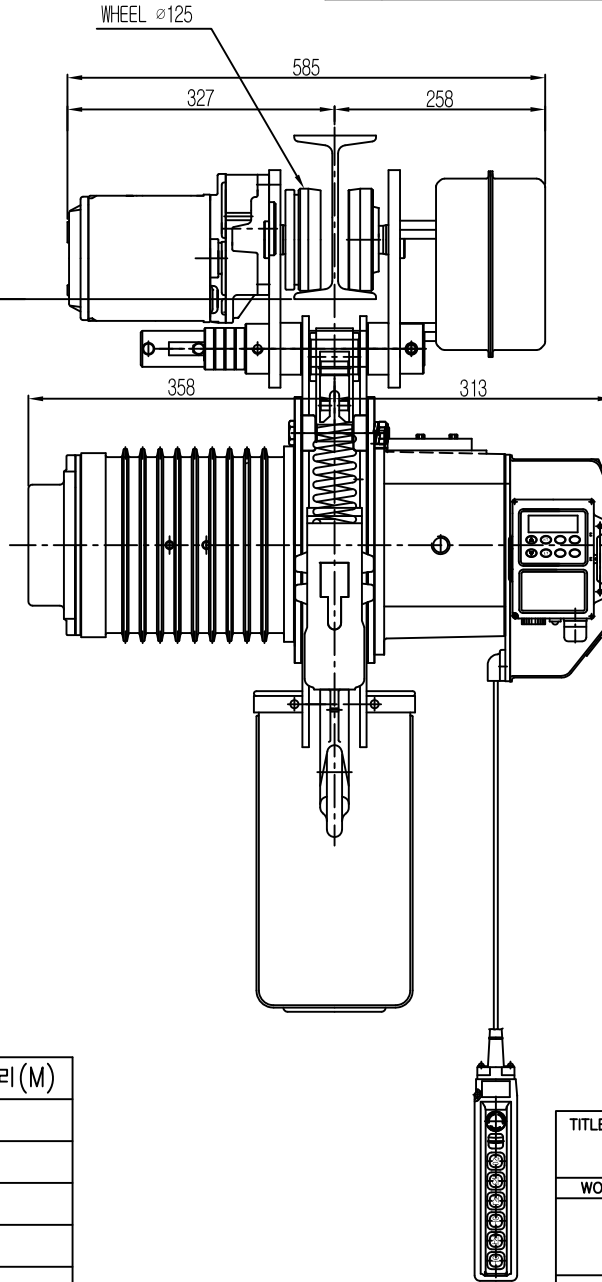
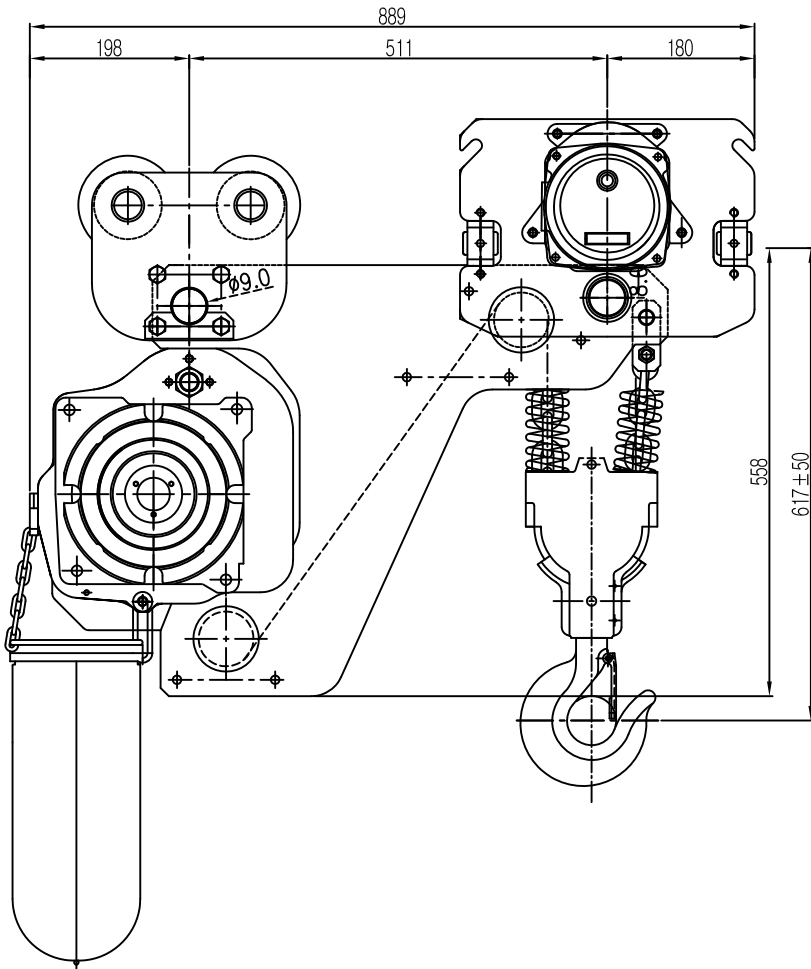


ON OMD

L K HOIST

NO	DESCRIPTION	SIZE	MAT' L	Q' TY	WT (kg)	REMARKS
----	-------------	------	--------	-------	---------	---------



SPECIFICATION

		LK-SHEDAM-3W		
RATED LOAD	(TON)	3.0		
TESTING LOAD	(TON)	3.75		
LIFTING HEIGHT	(M)	50		
HOISTING	SPEED (M/MIN)	0.515 ~ 5.15 (인버터)		
	MOTOR (KW)	3.5kw x 4p		
TRAVERSING	SPEED (M/MIN)	20	14	20/7
	MOTOR (KW)	0.75kw x 4p	0.4kw x 6p	0.75/0.25kw x 4/12p
POWER SUPPLY	AC220.380.440.460.480 V x 3φ x 60 Hz			
OPERATING METHOD	P.B type ON . FL			
LOAD CHAIN	φ9.5 X 28.6 (2FALL)			
WEIGHT	(KG)	485		
I-BEAM 적용폭		100 ~ 190MM		
H-BEAM 적용폭		100 ~ 200MM		

NOTE)

- 1)정검 설비를 갖출 것
- 2)인허가 서류를 완성검사시 제출 할 것

I-BEAM	지점간 거리(M)	H-BEAM	지점간 거리(M)
200x100x7	2	200x100x5.5	1.5
250x125x7.5	3.8	250x125x6	2.8
300x150x10	6	300x150x6.5	4
450x175x13	11	350x175x7	6.2
600x190x13	14	450x200x9	9.7

TITLE				ELECTRIC CHAIN HOIST		PROJECTION	
WORK NO		WORK NAME		SCALE	Q' TY	N S	1
DRAWN		LK-SHEDAM-3W					
김창기	CHECKED	REVIEWED	APPROVED	DRAWING NO			
2010.08.01				CORD NO			

REV.NO	DATE	REVISION	DESCRIPTION	DRAWN	CHECKED	APPROVED
--------	------	----------	-------------	-------	---------	----------