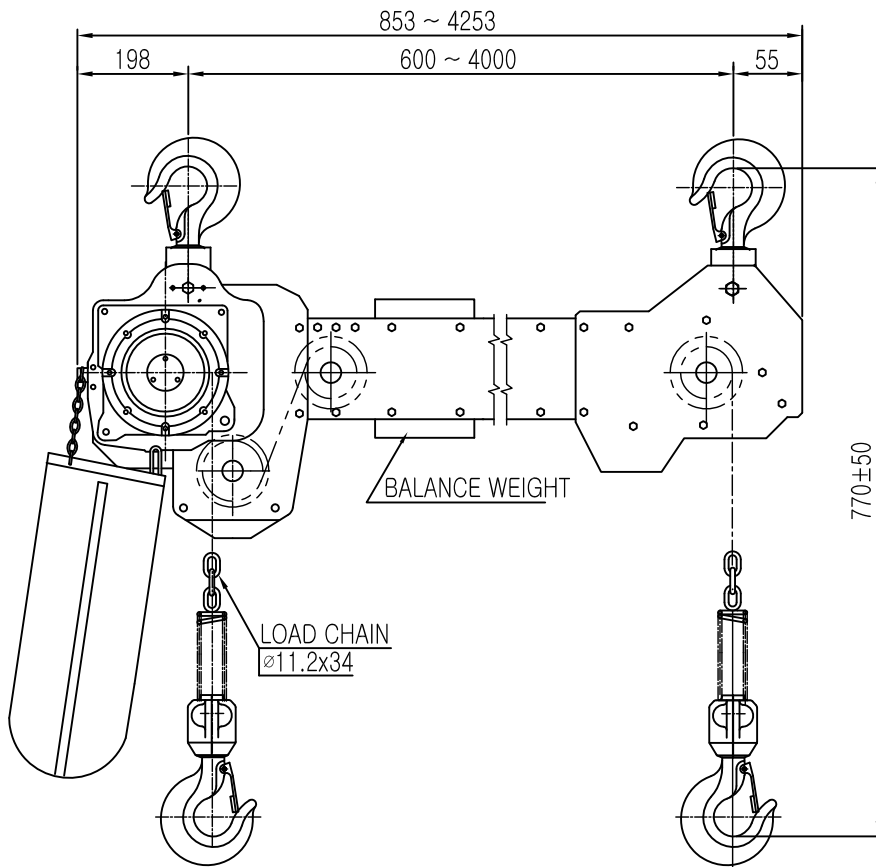
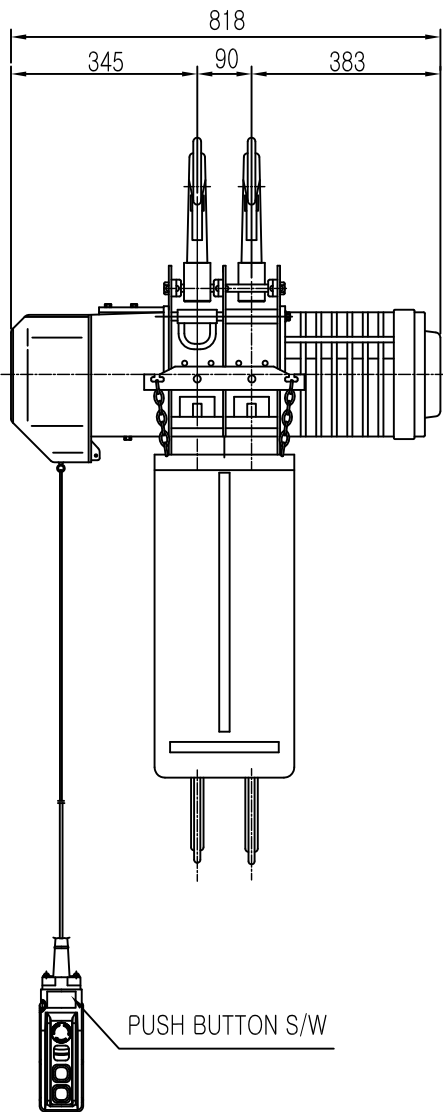


ON 5MD

L K HOIST

NO	DESCRIPTION	SIZE	MAT' L	Q' TY	WT (kg)	REMARKS



SPECIFICATION		
RATED	2.5 TON	
TESTING LOAD	3.125 TON	
LIFTING HEIGHT	50 M	
HOISTING	SPEED	6.5/2.1 M/MIN
	MOTOR	4.4/2.2KW x 2/6P
TRAVERSING	SPEED	-
	MOTOR	-
POWER SUPPLY	AC220,380,440,460,480 V x 3ø x 60 Hz	
OPERATING METHOD	P.B type ON . FL	
LOAD CHAIN	ø11.2 x 34 (1FALL)	
WIEGHT	565 KG	

NOTE)

- 1) 점검 설비를 갖출것.
- 2) 인허가 서류를 완성검사시 제출할것.

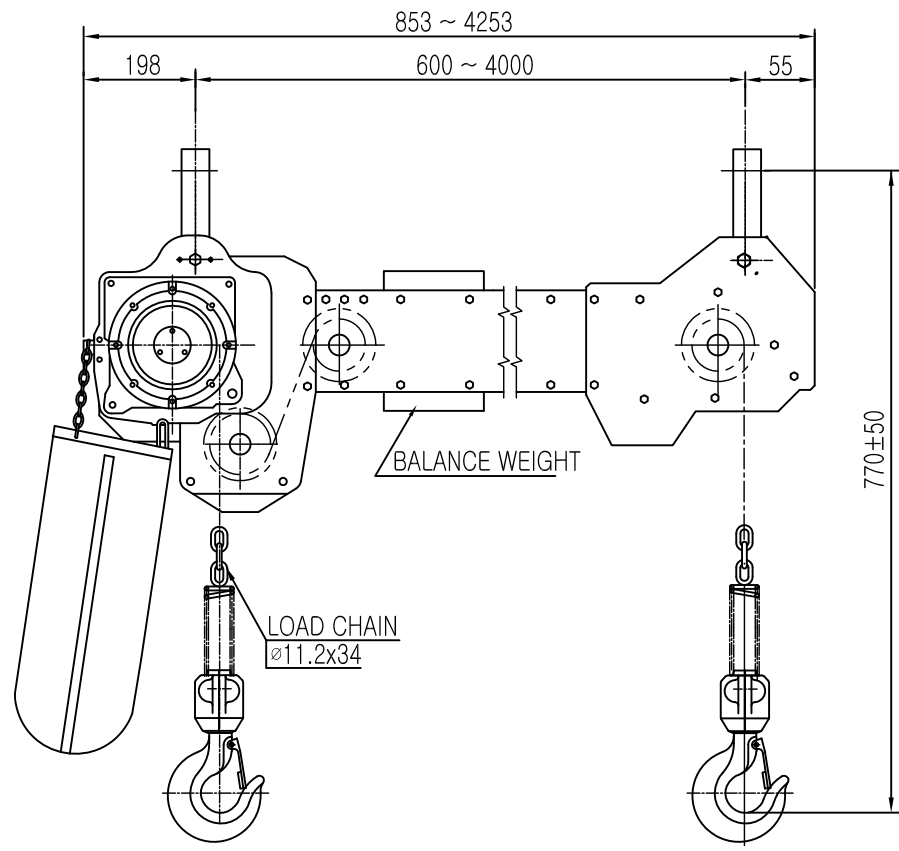
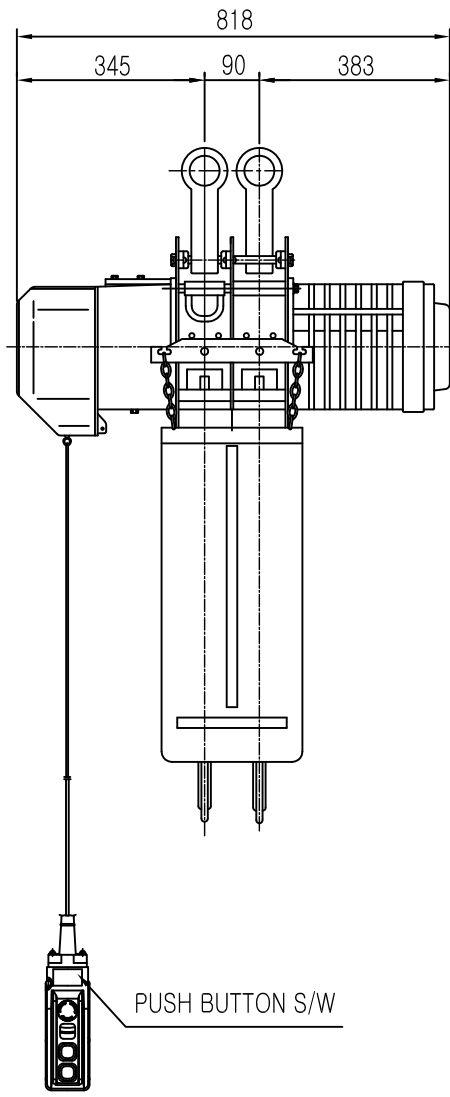
REV.NO	DATE	REVISION	DESCRIPTION	DRAWN	CHECKED	APPROVED

TITLE					PROJECTION	
DHDB-2.5S ELECTRIC CHAIN HOIST						
WORK NO	WORK NAME				SCALE	Q' TY
	HOOK TYPE				N.S	1
DRAWN	CHECKED	REVIEWED	APPROVED	DRAWING NO		
김 창 기						
2010.08.01				CORD NO		

L K HOIST

ON ㉠

NO	DESCRIPTION	SIZE	MAT' L	Q' TY	WT (kg)	REMARKS



SPECIFICATION		
RATED	2.5	TON
TESTING LOAD	3.125	TON
LIFTING HEIGHT	50	M
HOISTING	SPEED	6.5/2.1 M/MIN
	MOTOR	4.4/2.2KW x 2/6P
TRAVERSING	SPEED	-
	MOTOR	-
POWER SUPPLY	AC220,380,440,460,480 V x 3ø x 60 Hz	
OPERATING METHOD	P.B type ON . FL	
LOAD CHAIN	ø11.2 x 34 (1FALL)	
WIEGHT	565 KG	

- NOTE)
- 1) 점검 설비를 갖출것.
 - 2) 인허가 서류를 완성검사시 제출할것.

TITLE				PROJECTION	
DHDB-2.5S ELECTRIC CHAIN HOIST					
WORK NO	WORK NAME		SCALE	Q' TY	
	CONNECTOR TYPE		N.S	1	
DRAWN	CHECKED	REVIEWED	APPROVED	DRAWING NO	
김 창 기					
2010.08.01				CORD NO	

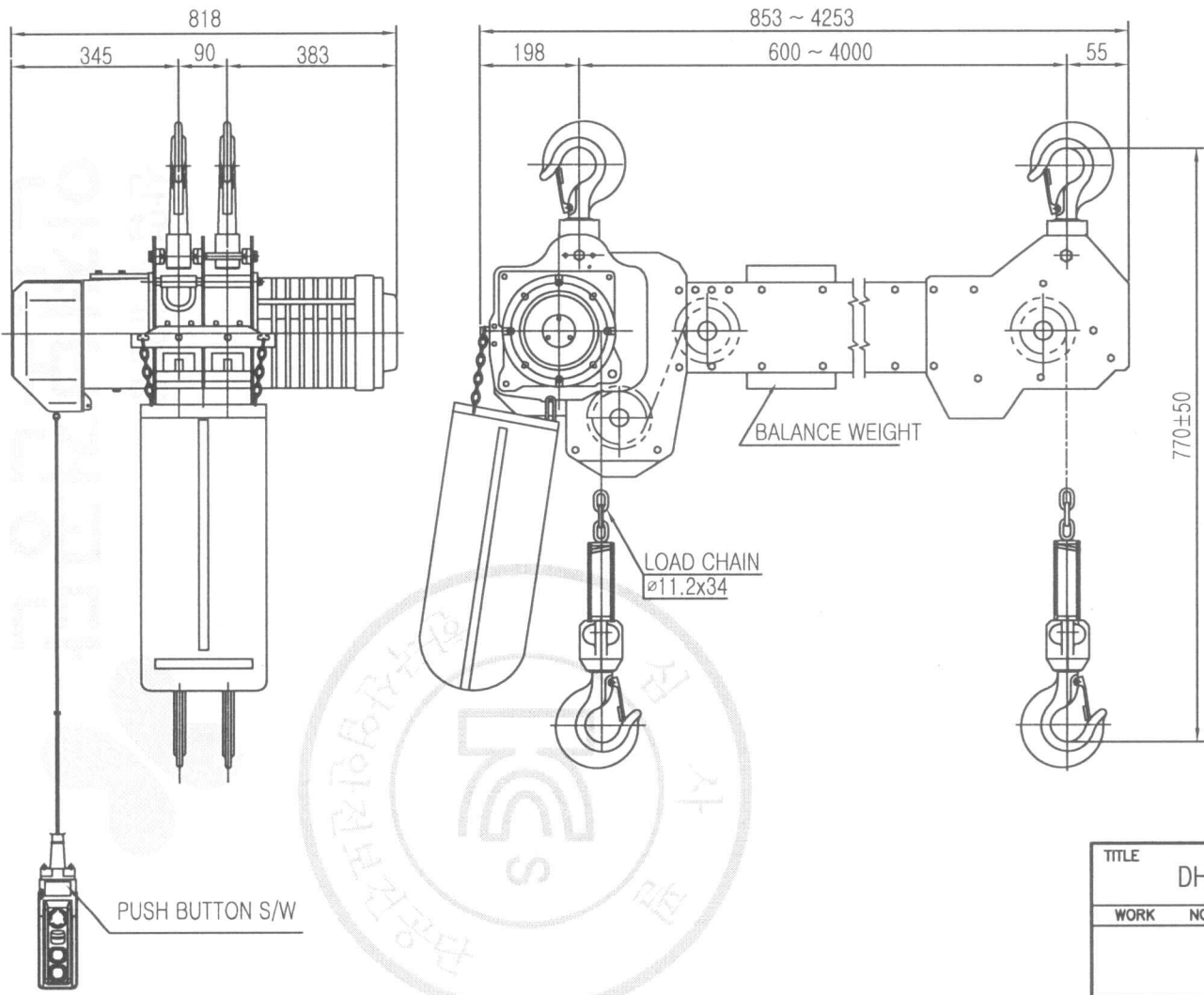
REV.NO	DATE	REVISION	DESCRIPTION	DRAWN	CHECKED	APPROVED

LK L K HOIST CO., LTD.

L K HOIST

ON GMD

NO	DESCRIPTION	SIZE	MAT' L	Q' TY	WT (kg)	REMARKS



SPECIFICATION		
RATED	2.5	TON
TESTING LOAD	3.125	TON
LIFTING HEIGHT	50	M
HOISTING	SPEED	6.5/2.1 M/MIN
	MOTOR	4.4/2.2KW x 2/6P
TRAVERSING	SPEED	-
	MOTOR	-
POWER SUPPLY	AC220,380,440,460,480 V x 3ø x 60 Hz	
OPERATING METHOD	P.B type ON . FL	
LOAD CHAIN	ø11.2 x 34 (1FALL)	
WIEGHT	565 KG	

- NOTE)
- 1) 점검 설비를 갖출것.
 - 2) 인허가 서류를 완성검사시 제출할것.

물범북제 및 배포금지

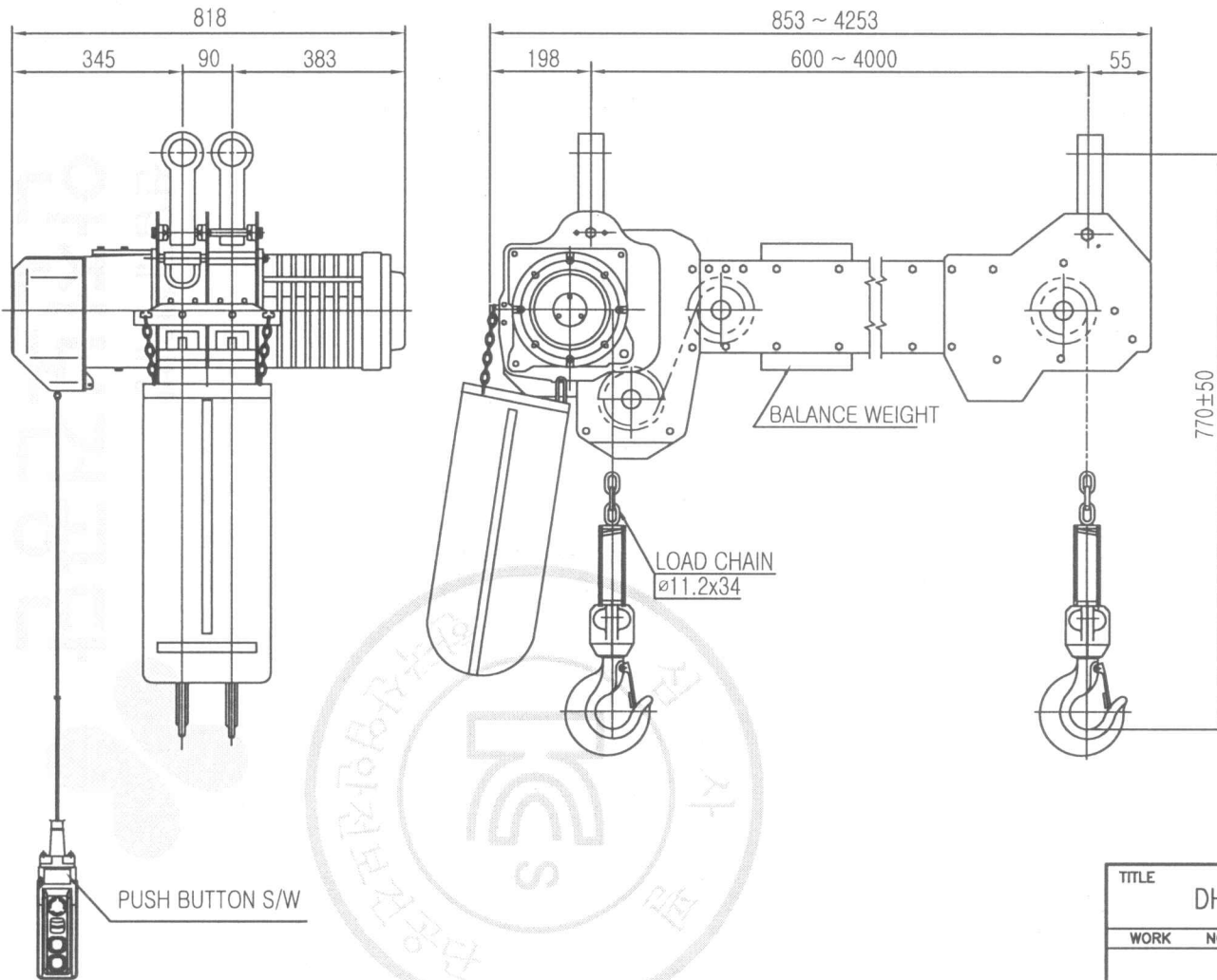
REV.NO	DATE	REVISION	DESCRIPTION	DRAWN	CHECKED	APPROVED

TITLE						PROJECTION	
DHDB-2.5S ELECTRIC CHAIN HOIST							
WORK NO	WORK NAME					SCALE	Q' TY
	HOOK TYPE					N.S	1
DRAWN	CHECKED	REVIEWED	APPROVED	DRAWING NO			
김 창 기				CORD NO			
2010.08.01							
L K HOIST CO., LTD.							

ON 3MD

L K HOIST

NO	DESCRIPTION	SIZE	MAT L	Q' TY	WT (kg)	REMARKS



SPECIFICATION		
RATED	2.5	TON
TESTING LOAD	3.125	TON
LIFTING HEIGHT	50	M
HOISTING	SPEED	6.5/2.1 M/MIN
	MOTOR	4.4/2.2KW x 2/6P
TRAVERSING	SPEED	-
	MOTOR	-
POWER SUPPLY	AC220,380,440,460,480 V x 3ø x 60 Hz	
OPERATING METHOD	P.B type ON . FL	
LOAD CHAIN	ø11.2 x 34 (1FALL)	
WIEGHT	565 KG	

- NOTE)
- 1) 점검 설비를 갖출것.
 - 2) 인허가 서류를 완성검사시 제출할것.

물범복제 및 배포금지

REV.NO	DATE	REVISION	DESCRIPTION	DRAWN	CHECKED	APPROVED

TITLE				DHDB-2.5S ELECTRIC CHAIN HOIST		PROJECTION	
WORK NO				WORK NAME			
				CONNECTOR TYPE		SCALE	Q' TY
						N.S	1
DRAWN	CHECKED	REVIEWED	APPROVED	DRAWING NO			
김 창 기				CORD NO			
2010.08.01							